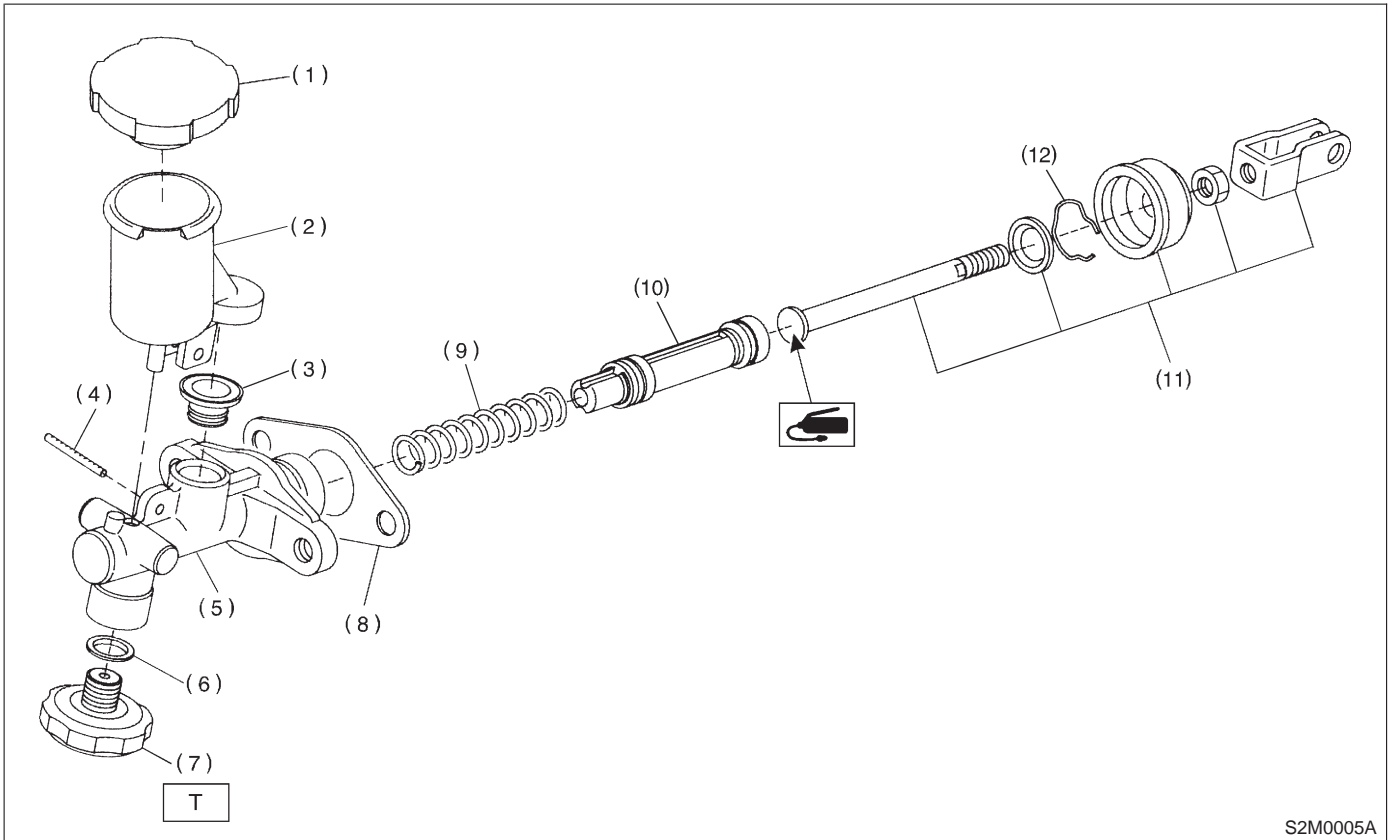


2. Master Cylinder and Reservoir Tank



S2M0005A

- (1) Reservoir cap
- (2) Reservoir tank
- (3) Oil seal
- (4) Straight pin
- (5) Master cylinder

- (6) Washer
- (7) Diaphragm spring
- (8) Seat
- (9) Return spring
- (10) Piston

- (11) Push rod
- (12) Piston stop ring

Tightening torque: N·m (kg·m, ft·lb)
T: 46.6±7.4 (4.75±0.75, 34.4±5.4)