

## 1. General

### A: PRECAUTION

When servicing clutch system, pay attention to the following items.

#### 1. MECHANICAL APPLICATION TYPE

- 1) Check the routing of clutch cable for smoothness.
- 2) Excessive tightness or looseness of clutch cable have a bad influence upon the cable durability.
- 3) Apply grease sufficiently to the connecting portion of clutch pedal.
- 4) Apply grease sufficiently to the release lever portion.
- 5) Position clutch cable through the center of toe board hole and route it smoothly. Adjustment is done by moving the outer cable.
- 6) Make sure not to let the clutch chatter when starting forward or rearward. If clutch chattering occurs, readjust so that the bend of clutch outer cable becomes flatter.

#### 2. HYDRAULIC APPLICATION TYPE

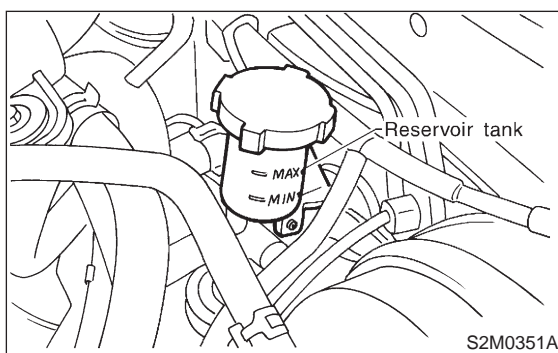
- 1) Check fluid level using a scale on outside of reservoir tank. If the level is below "MIN", add clutch fluid to bring it up to "MAX".

##### **Recommended clutch fluid:**

**FMVSS No. 116, fresh DOT3 or DOT4 brake fluid**

##### **CAUTION:**

- Avoid mixing different grades of brake fluid to prevent degradation of the fluid.
- Be careful not to allow dirt or dust to get into the reservoir tank.
- Use fresh DOT3 or DOT4 brake fluid when refilling fluid.



- 2) Make sure that brake fluid does not leak from master cylinder, operating cylinder and piping.
- 3) Apply grease sufficiently to the release lever pinion.
- 4) Check for proper clutch disengagement and clutch pedal return ability.

## 2. On-car Service

### A: ADJUSTMENT

#### 1. MECHANICAL APPLICATION TYPE

- 1) Remove release lever return spring from lever (Models without hill holder only).
- 2) Adjust spherical nut so that the play is within the specified value at the lever end (center of spherical nut).

##### **Play:**

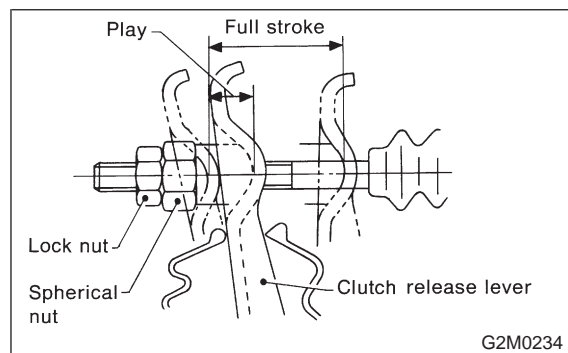
**3 — 4 mm (0.12 — 0.16 in)**

##### **Full stroke:**

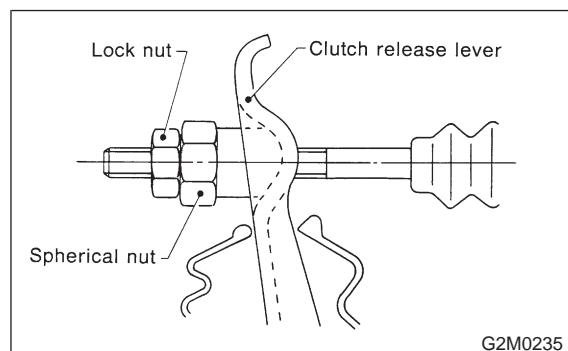
**24 — 26 mm (0.94 — 1.02 in)**

##### **CAUTION:**

**Take care not to twist the cable during adjustment.**



- 3) Upon completion of adjustment, securely lock spherical nut with lock nut.

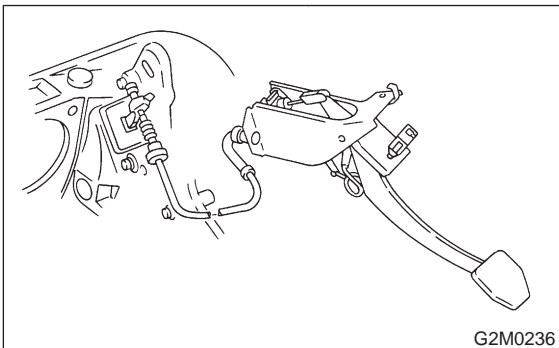


- 4) Install return spring on lever (Models without hill holder only).

##### **NOTE:**

Hook the long hook side of the return spring with the lever (Models without hill holder only).

5) Depress clutch pedal to assure there is no abnormality in the clutch system.

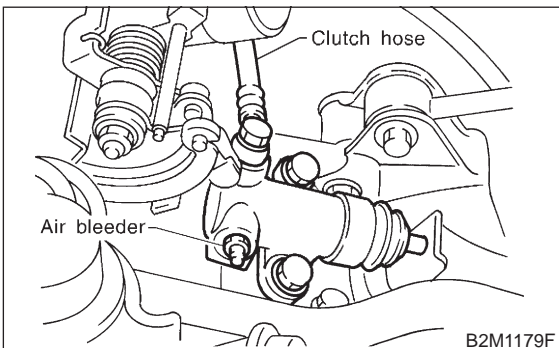


## 2. HYDRAULIC APPLICATION TYPE

### NOTE:

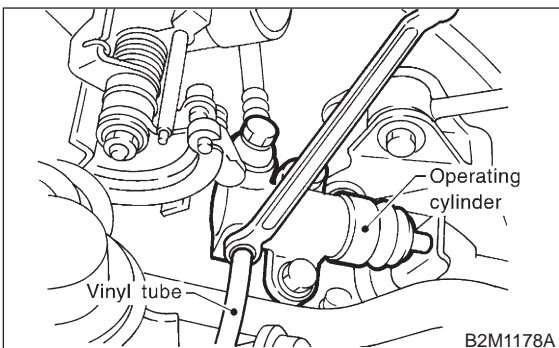
Bleed air from oil line with the help of a co-worker.

- 1) Remove air chamber.
- 2) Fit one end of a vinyl tube into the air bleeder of operating cylinder and put the other end into a brake fluid container.



3) Slowly depress the clutch pedal and keep it depressed. Then open the air bleeder to discharge air together with the fluid.

Release the air bleeder for 1 or 2 seconds. Next, with the bleeder closed, slowly release the clutch pedal.



4) Repeat these steps until there are no more air bubbles in the vinyl tube.

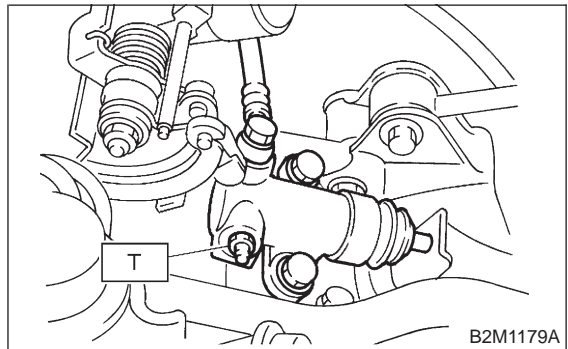
### CAUTION:

Cover bleeder with waste cloth when loosening it, to prevent brake fluid from being splashed over surrounding parts.

5) Tighten air bleeder.

### Tightening torque:

**T:  $18 \pm 3$  N·m ( $1.8 \pm 0.3$  kg·m,  $13.0 \pm 2.2$  ft·lb)**



- 6) After depressing the clutch pedal, make sure that there are no leaks evident in the entire system.
- 7) After bleeding air from system, ensure that clutch operates properly.