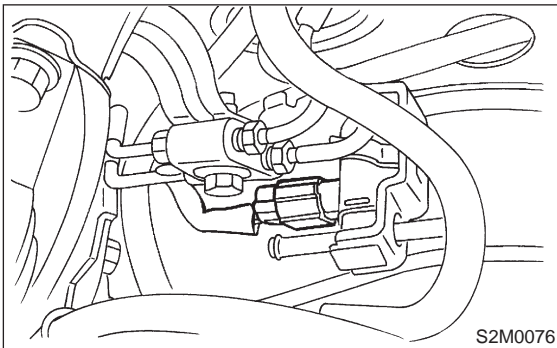


2-1 [W11A0]

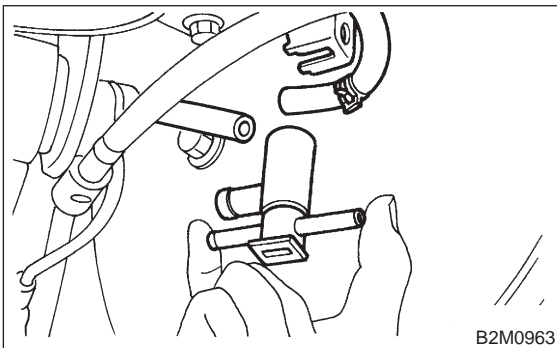
SERVICE PROCEDURE

11. Vent Control Solenoid Valve (2500 cc Model)

- 4) Disconnect connector from pressure control valve.



- 5) Remove pressure control valve from bracket.

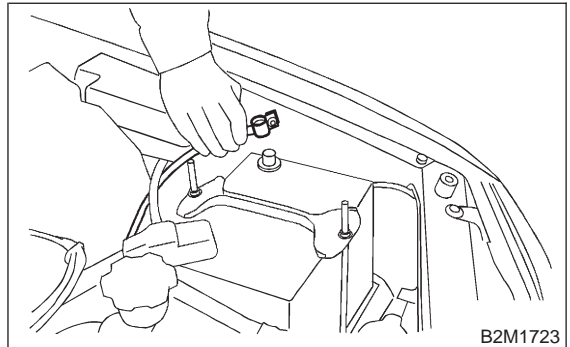


- 6) Installation is in the reverse order of removal.

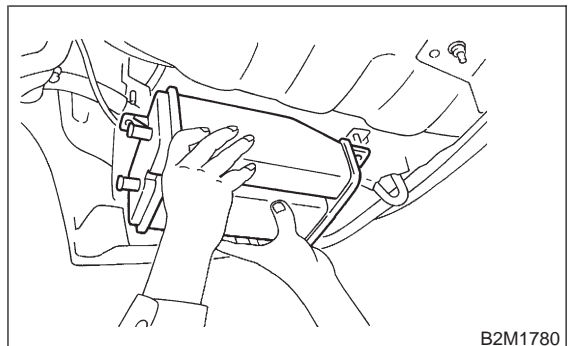
11. Vent Control Solenoid Valve (2500 cc Model)

A: REMOVAL

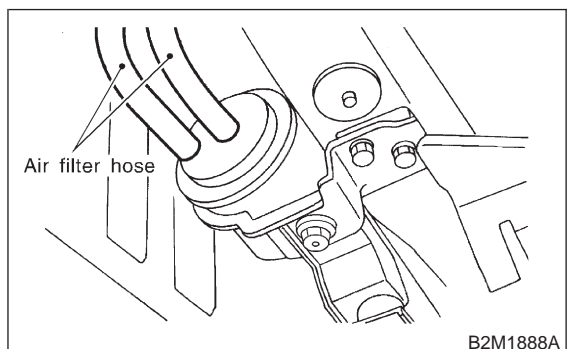
- 1) Disconnect battery ground cable.



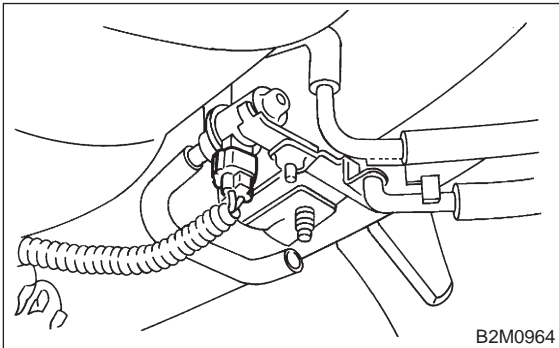
- 2) Lift-up the vehicle.
3) Remove canister. <Ref. to 2-1 [W3A2].>



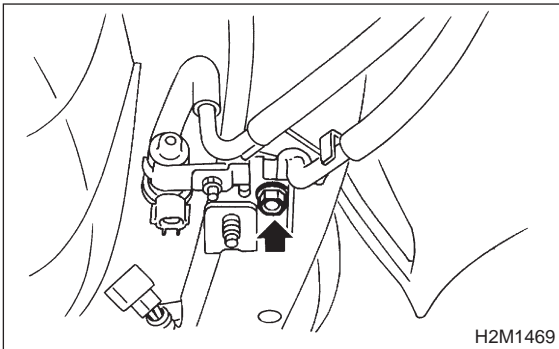
- 4) Disconnect two hoses from air filter.



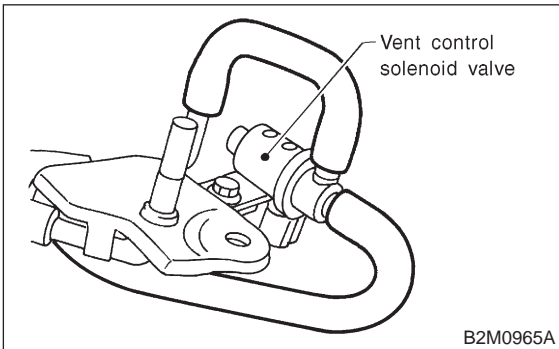
5) Disconnect connector from vent control solenoid valve.



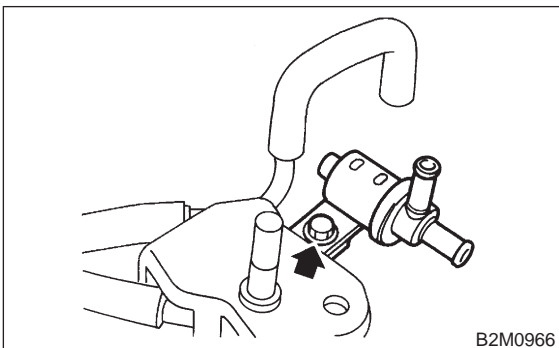
6) Remove one bolt fixing bracket on the body.



7) Remove two vacuum hoses from vent control solenoid valve.



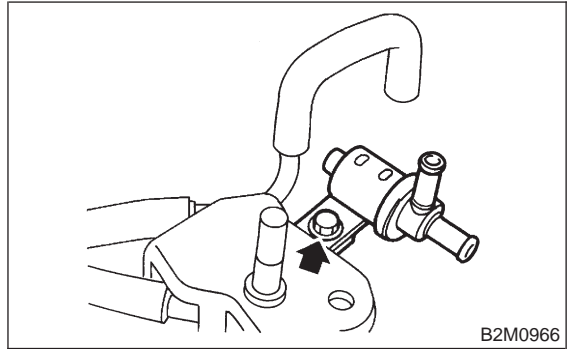
8) Remove one bolt fixing vent control solenoid valve on bracket.



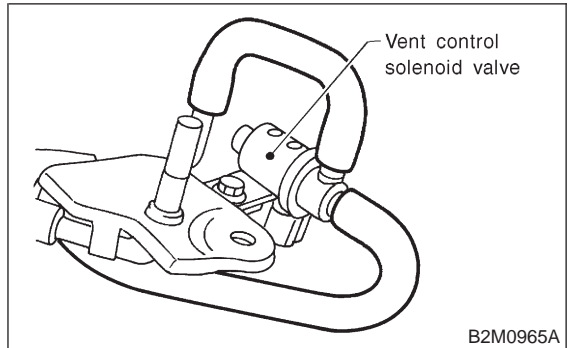
9) Remove vent control solenoid valve.

B: INSTALLATION

1) Install the bolt fixing vent control solenoid valve on bracket.

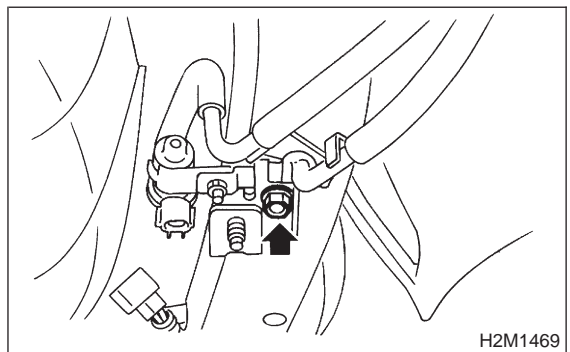


2) Install two vacuum hoses to vent control solenoid valve.



3) Install the bolt fixing bracket on the body.

Tightening torque:
 $25 \pm 7 \text{ N}\cdot\text{m}$ ($2.5 \pm 0.7 \text{ kg}\cdot\text{m}$, $18.1 \pm 5.1 \text{ ft}\cdot\text{lb}$)

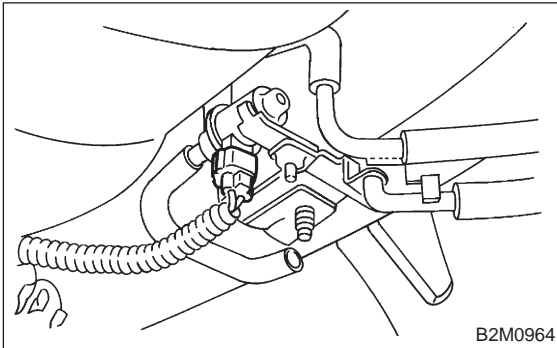


2-1 [W12A0]

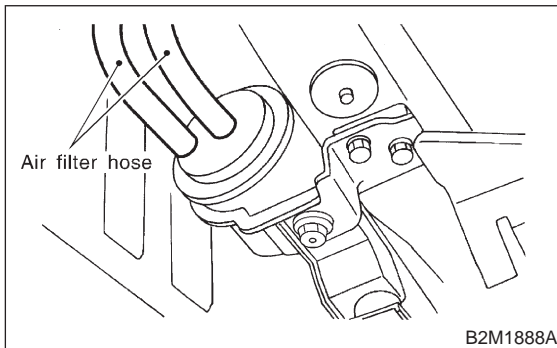
SERVICE PROCEDURE

12. Main Fuel Level Sensor (2200 cc AWD except Taiwan Spec. Vehicles and 2500 cc Model)

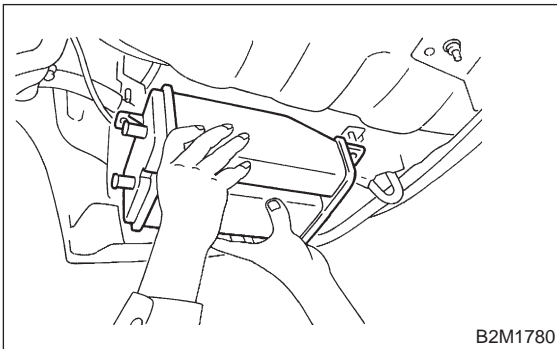
- 4) Connect connector to vent control solenoid valve.



- 5) Connect two hoses to air filter.

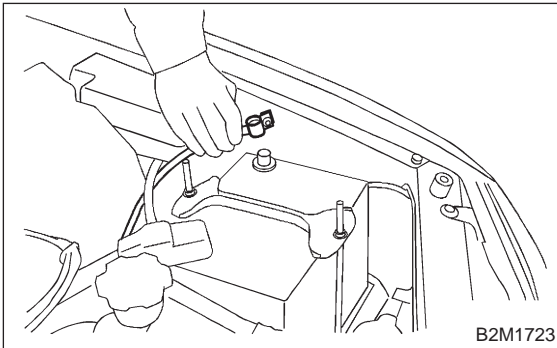


- 6) Install canister. <Ref. to 2-1 [W3A2].>



- 7) Lower the vehicle.

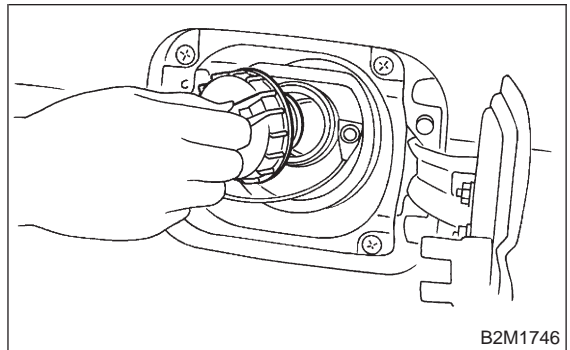
- 8) Connect battery ground cable.



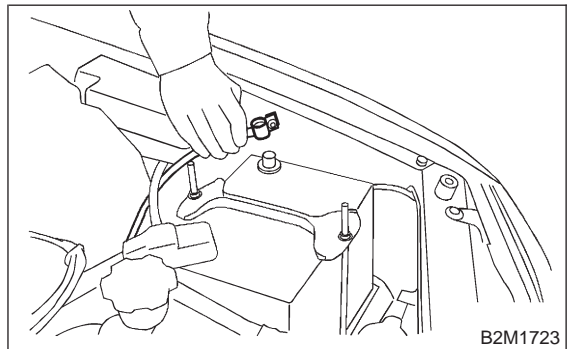
12. Main Fuel Level Sensor (2200 cc AWD except Taiwan Spec. Vehicles and 2500 cc Model)

A: REMOVAL

- 1) Release fuel pressure. <Ref. to 2-8 [W1B0].>
2) Open fuel flap lid, and remove fuel filler cap.



- 3) Disconnect battery ground cable.



- 4) Disconnect fuel delivery hose (A), return hose (B) and jet pump hose (C).

