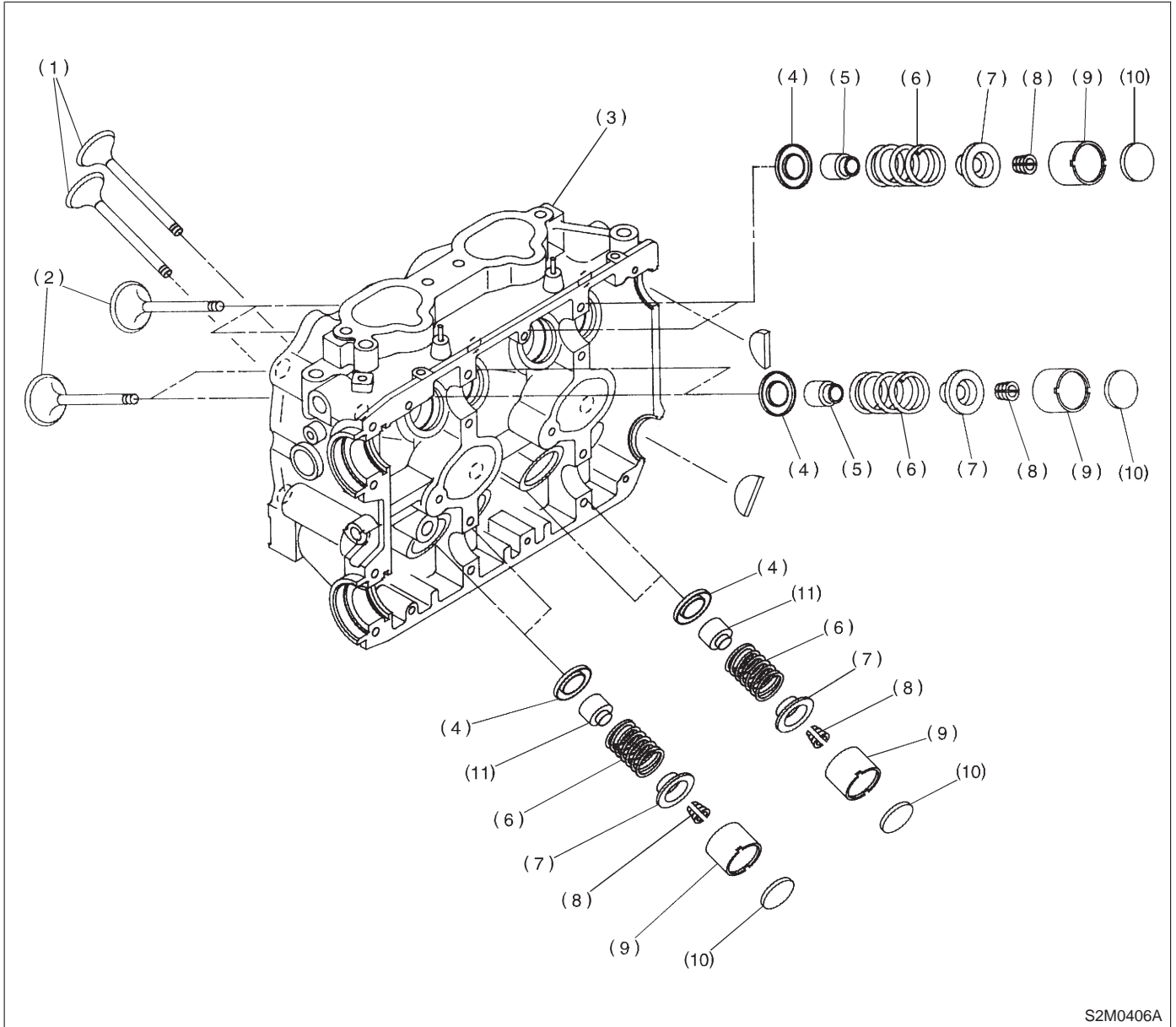


3. Cylinder Head and Valve Assembly



S2M0406A

- (1) Exhaust valve
- (2) Intake valve
- (3) Cylinder head
- (4) Valve spring seat

- (5) Intake valve oil seal
- (6) Valve spring
- (7) Retainer
- (8) Retainer key

- (9) Valve lifter
- (10) Shim
- (11) Exhaust valve oil seal