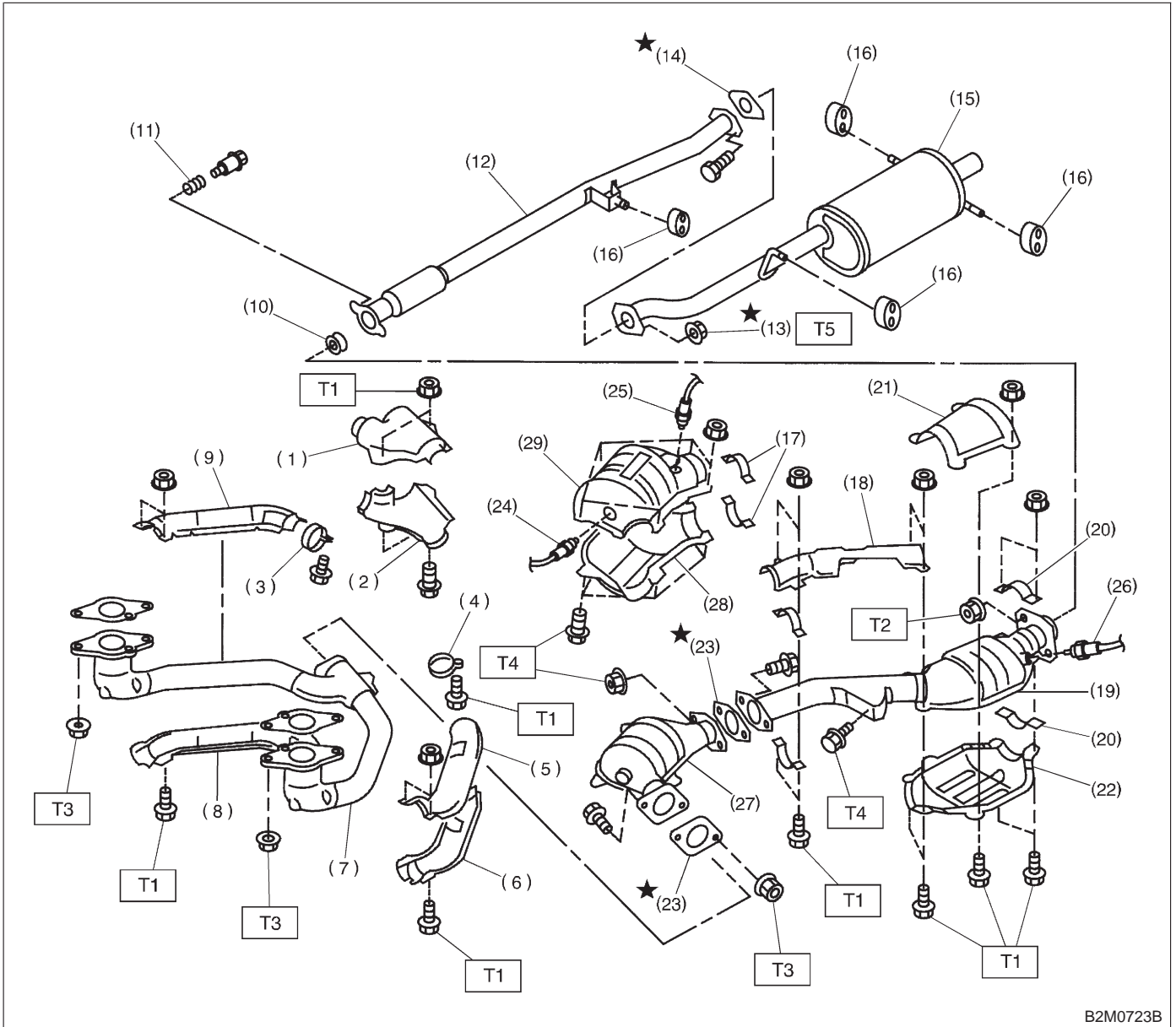


1. Exhaust System

A: 2200 cc MODEL



B2M0723B

COMPONENT PARTS

[C1A0] 2-9
1. Exhaust System

-
- | | | |
|---|--|---|
| (1) Upper front exhaust pipe cover
CTR | (12) Rear exhaust pipe | (26) Rear oxygen sensor (Except
California spec. vehicles) |
| (2) Lower front exhaust pipe cover
CTR | (13) Self-locking nut | (27) Front catalytic converter |
| (3) Band RH | (14) Gasket | (28) Lower front catalytic converter
cover |
| (4) Band LH | (15) Muffler | (29) Upper front catalytic converter
cover |
| (5) Upper front exhaust pipe cover
LH | (16) Cushion rubber | |
| (6) Lower front exhaust pipe cover
LH | (17) Clamp | |
| (7) Front exhaust pipe | (18) Upper center exhaust pipe cover | |
| (8) Lower front exhaust pipe cover
RH | (19) Center exhaust pipe | |
| (9) Upper front exhaust pipe cover
RH | (20) Clamp B | |
| (10) Gasket | (21) Upper rear catalytic converter
cover | |
| (11) Spring | (22) Lower rear catalytic converter
cover | |
| | (23) Gasket | |
| | (24) Front oxygen sensor | |
| | (25) Rear oxygen sensor (California
spec. vehicles) | |

Tightening torque: N-m (kg-m, ft-lb)

T1: 13±3 (1.3±0.3, 9.4±2.2)

T2: 18±5 (1.8±0.5, 13.0±3.6)

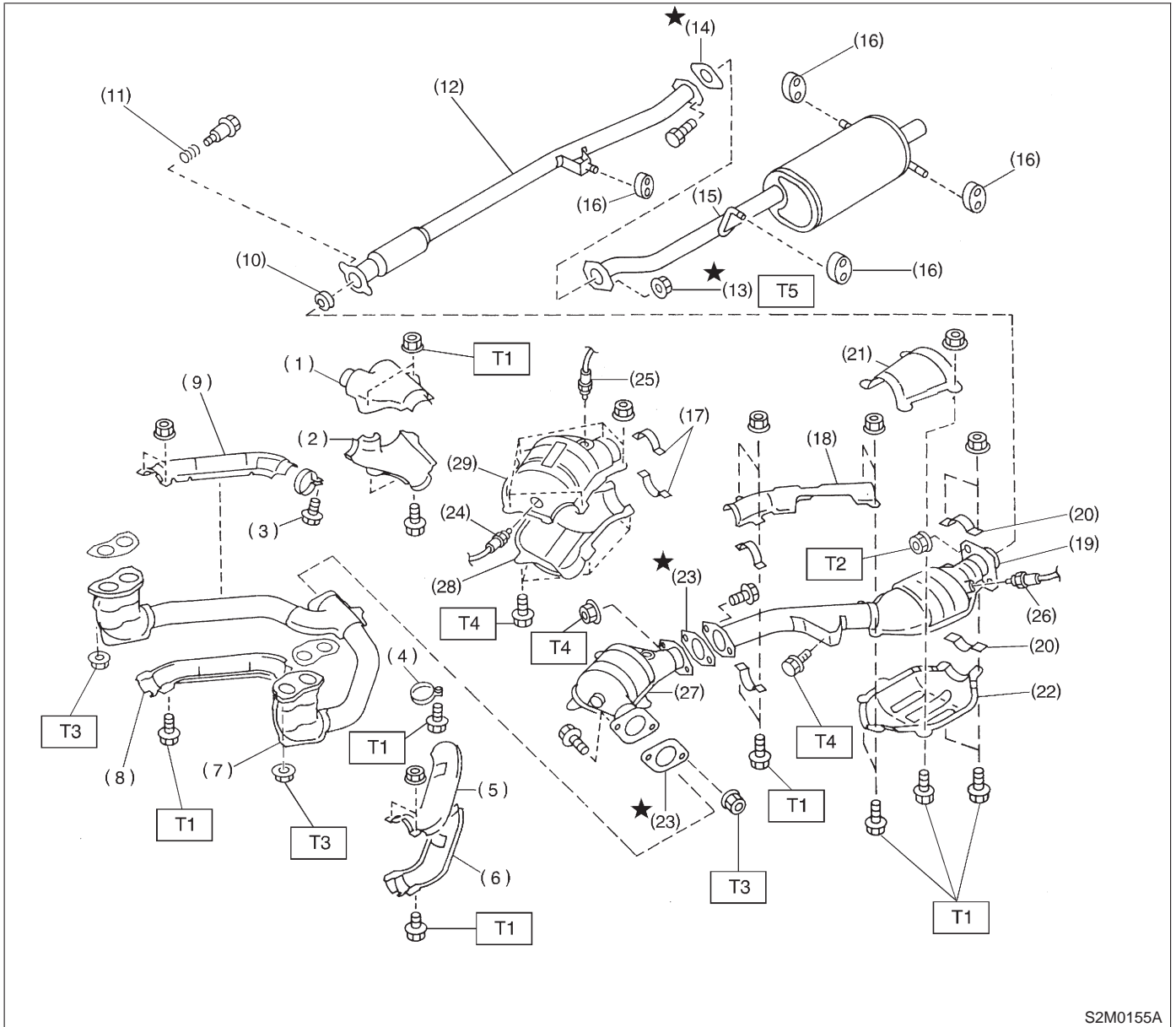
T3: 30±5 (3.1±0.5, 22.4±3.6)

T4: 35±5 (3.6±0.5, 26.0±3.6)

T5: 48±5 (4.9±0.5, 35.4±3.6)

COMPONENT PARTS

B: 2500 cc MODEL



S2M0155A

- | | | |
|--|---|--|
| (1) Upper front exhaust pipe cover CTR | (12) Rear exhaust pipe | (26) Rear oxygen sensor (Except California spec. vehicles) |
| (2) Lower front exhaust pipe cover CTR | (13) Self-locking nut | (27) Front catalytic converter |
| (3) Band RH | (14) Gasket | (28) Lower front catalytic converter cover |
| (4) Band LH | (15) Muffler | (29) Upper front catalytic converter cover |
| (5) Upper front exhaust pipe cover LH | (16) Cushion rubber | |
| (6) Lower front exhaust pipe cover LH | (17) Clamp | |
| (7) Front exhaust pipe | (18) Upper center exhaust pipe cover | |
| (8) Lower front exhaust pipe cover RH | (19) Center exhaust pipe | |
| (9) Upper front exhaust pipe cover RH | (20) Clamp B | |
| (10) Gasket | (21) Upper rear catalytic converter cover | |
| (11) Spring | (22) Lower rear catalytic converter cover | |
| | (23) Gasket | |
| | (24) Front oxygen sensor | |
| | (25) Rear oxygen sensor (California spec. vehicles) | |

Tightening torque: N-m (kg-m, ft-lb)

T1: 13±3 (1.3±0.3, 9.4±2.2)

T2: 18±5 (1.8±0.5, 13.0±3.6)

T3: 30±5 (3.1±0.5, 22.4±3.6)

T4: 35±5 (3.6±0.5, 26.0±3.6)

T5: 48±5 (4.9±0.5, 35.4±3.6)