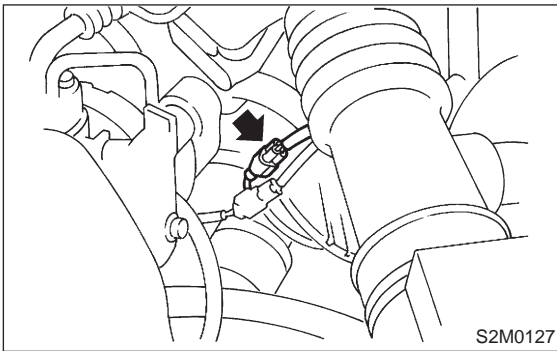
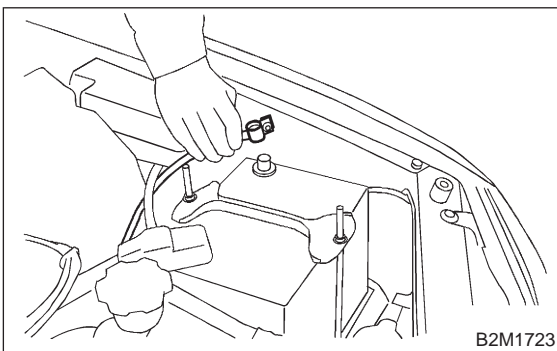


7) Connect front oxygen sensor connector.



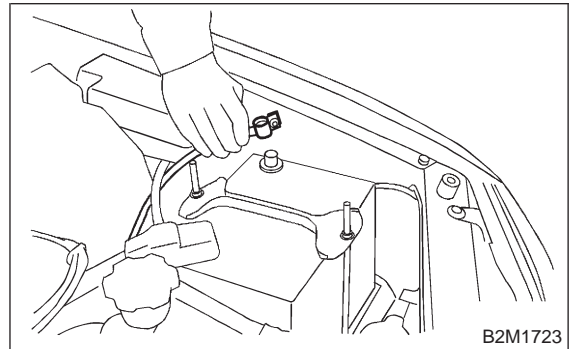
8) Connect battery ground cable.



2. Center Exhaust Pipe

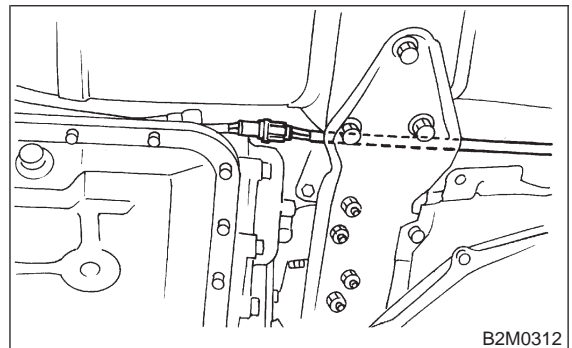
A: REMOVAL

1) Disconnect battery ground cable.

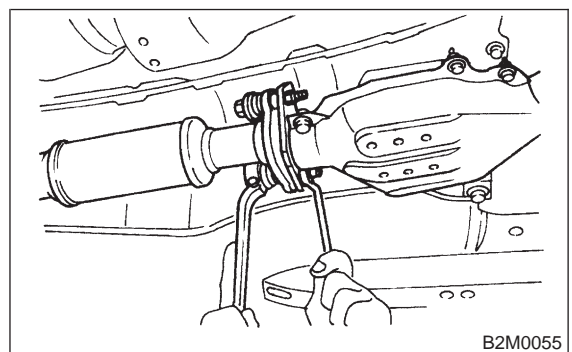


2) Lift-up the vehicle.

3) Disconnect rear oxygen sensor connector.
(Except California spec. vehicles)



4) Separate center exhaust pipe and rear catalytic converter assembly from rear exhaust pipe.

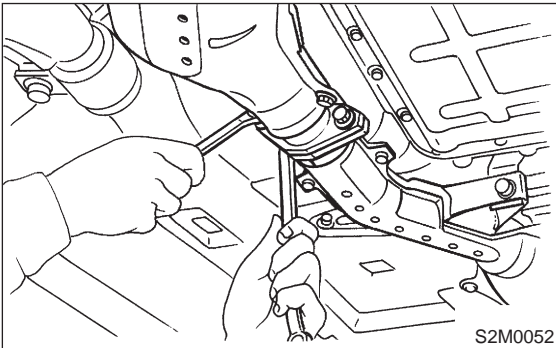


2-9 [W2B0]

2. Center Exhaust Pipe

SERVICE PROCEDURE

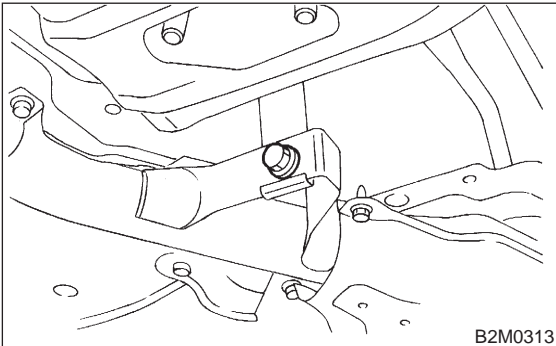
5) Separate center exhaust pipe and rear catalytic converter assembly from front catalytic converter.



6) Remove center exhaust pipe and rear catalytic converter assembly from hanger bracket.

CAUTION:

- Be careful not to pull down center exhaust pipe.
- After removing center exhaust pipe, do not apply excessive pulling force on front catalytic converter and front exhaust pipe.

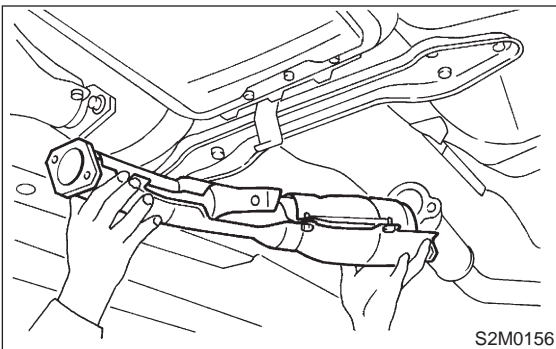


B: INSTALLATION

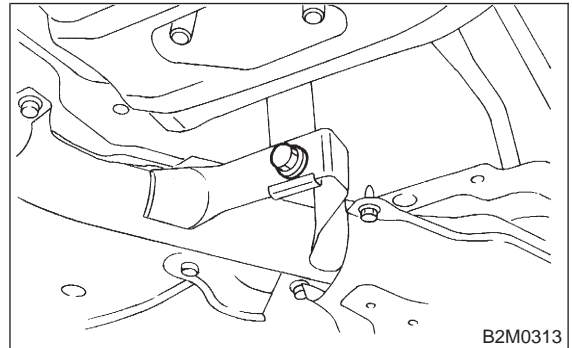
CAUTION:

Replace gaskets with new ones.

1) Install center exhaust pipe and rear catalytic converter assembly.



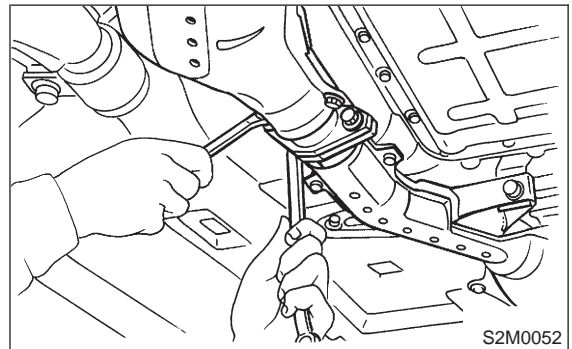
2) Temporarily tighten bolt which installs center exhaust pipe to hanger bracket.



3) Install center exhaust pipe to front catalytic converter.

Tightening torque:

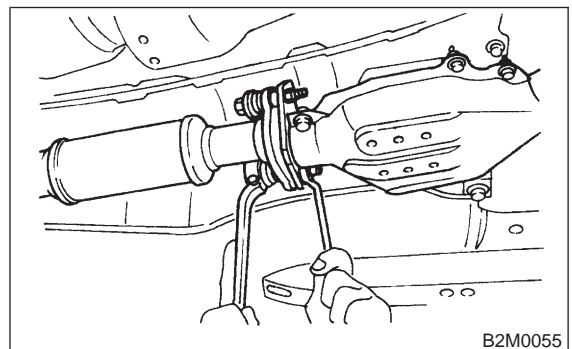
$35 \pm 5 \text{ N}\cdot\text{m}$ ($3.6 \pm 0.5 \text{ kg}\cdot\text{m}$, $26.0 \pm 3.6 \text{ ft}\cdot\text{lb}$)



4) Install center exhaust pipe to rear exhaust pipe.

Tightening torque:

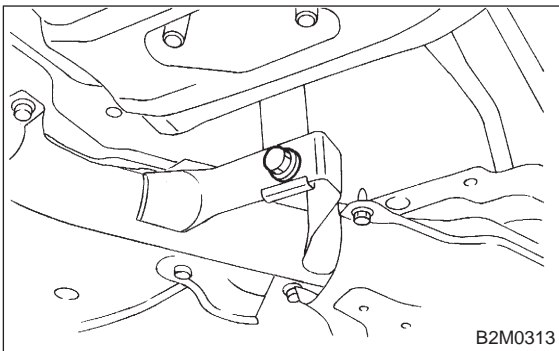
$18 \pm 5 \text{ N}\cdot\text{m}$ ($1.8 \pm 0.5 \text{ kg}\cdot\text{m}$, $13.0 \pm 3.6 \text{ ft}\cdot\text{lb}$)



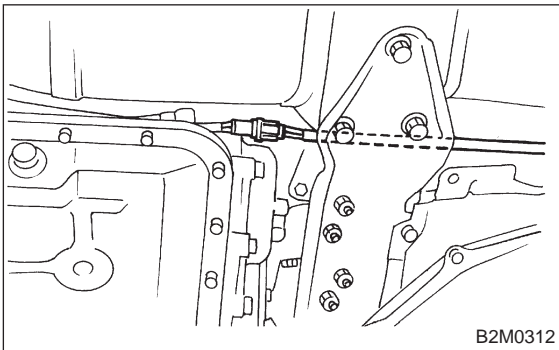
5) Tighten bolt which holds center exhaust pipe to hanger bracket.

Tightening torque:

$35 \pm 5 \text{ N}\cdot\text{m}$ ($3.6 \pm 0.5 \text{ kg}\cdot\text{m}$, $26.0 \pm 3.6 \text{ ft}\cdot\text{lb}$)

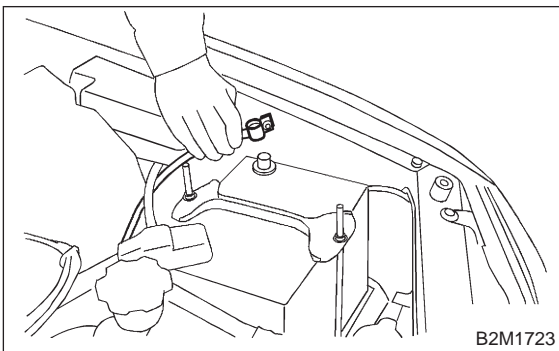


6) Connect rear oxygen sensor connector. (Except California spec. vehicles)



7) Lower the vehicle.

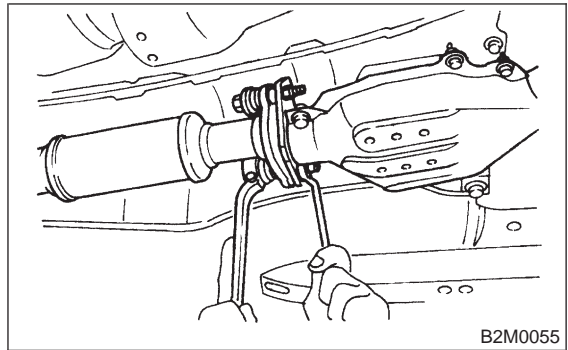
8) Connect battery ground cable.



3. Rear Exhaust Pipe

A: REMOVAL

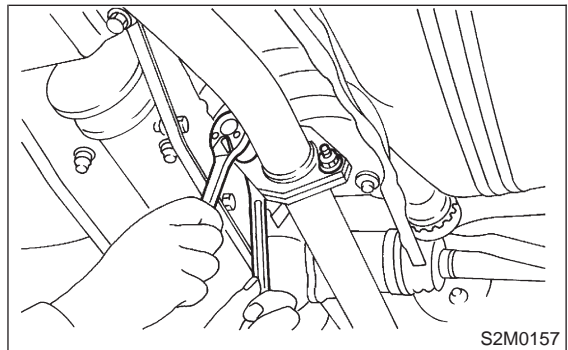
1) Separate rear exhaust pipe from center exhaust pipe.



2) Separate rear exhaust pipe from muffler.

CAUTION:

Be careful not to pull down rear exhaust pipe.



3) Remove rear exhaust pipe bracket from rubber cushion.

NOTE:

To facilitate removal, apply a coat of SUBARU CRC or equivalent to pipe bracket in advance.

SUBARU CRC (Part No. 004301003)

