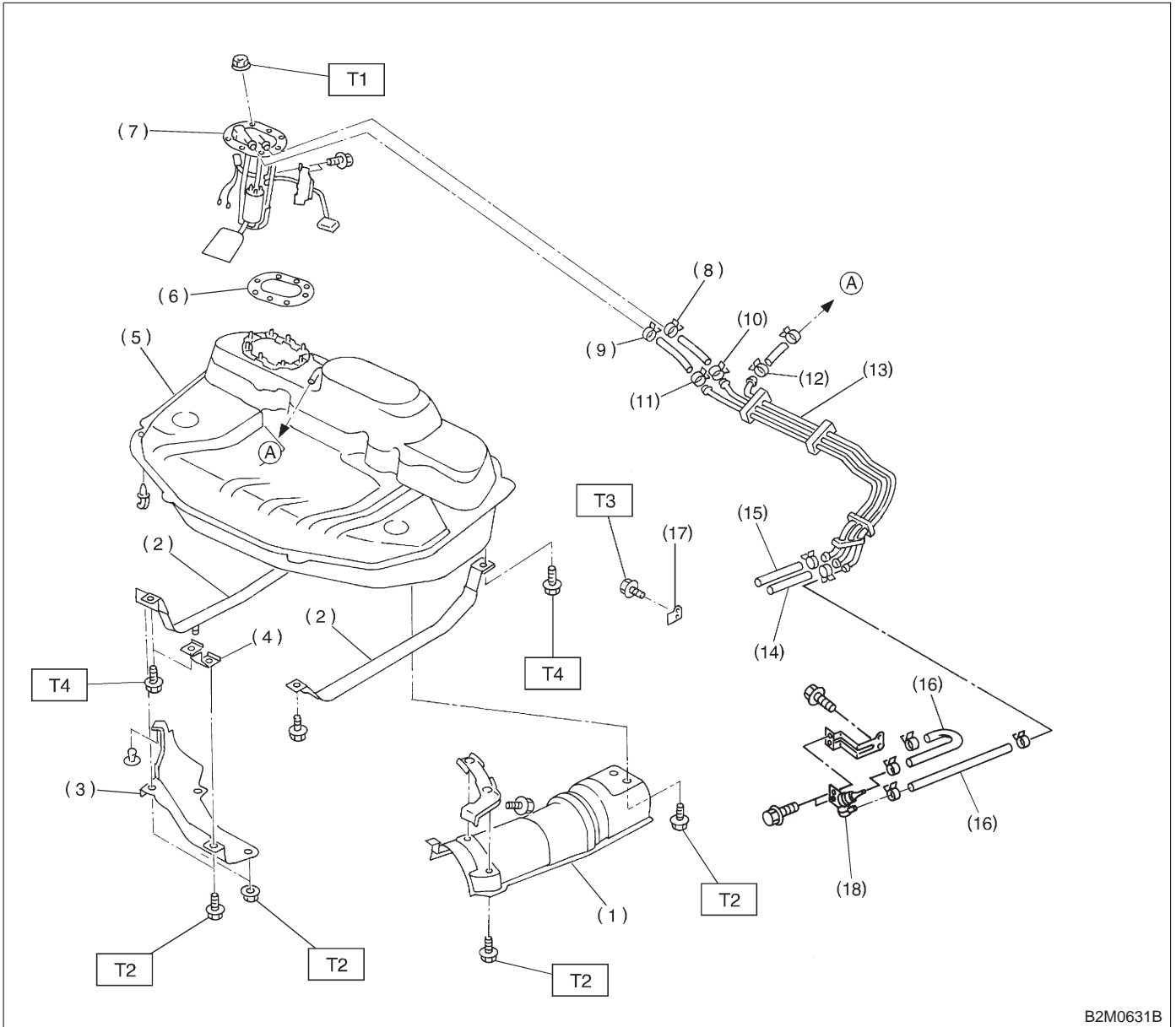


1. Fuel Tank
A: FWD MODEL



B2M0631B

- | | |
|-----------------------|---------------------------|
| (1) Heat seated cover | (10) Fuel delivery hose A |
| (2) Fuel tank band | (11) Fuel return hose A |
| (3) Protector | (12) Evaporation hose A |
| (4) Protector bracket | (13) Fuel pipe ASSY |
| (5) Fuel tank | (14) Fuel delivery hose B |
| (6) Fuel pump gasket | (15) Fuel return hose B |
| (7) Fuel pump ASSY | (16) Evaporation hose B |
| (8) Clamp | (17) Plate |
| (9) Clip | (18) Roll over valve |

Tightening torque: N·m (kg·m, ft·lb)

T1: 4.4±1.5 (0.45±0.15, 3.3±1.1)

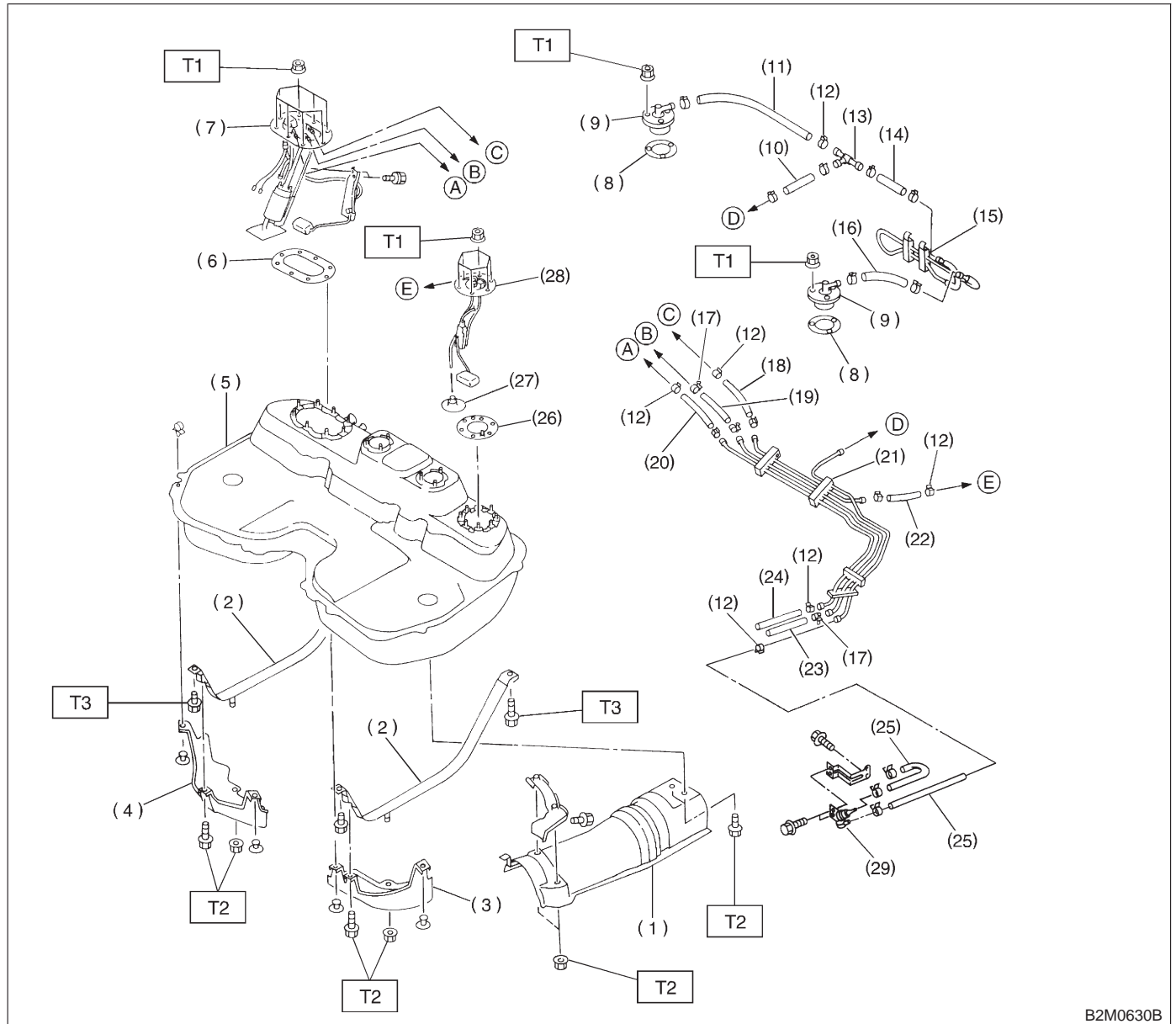
T2: 7.4±0.2 (0.75±0.2, 5.4±1.4)

T3: 18±5 (1.8±0.5, 13.0±3.6)

T4: 33±10 (3.4±1.0, 25±7)

B: AWD MODEL

1. 2200 cc TAIWAN SPEC. VEHICLES



B2M0630B

- | | | |
|---------------------------|----------------------------|----------------------------|
| (1) Heat sealed cover | (13) Joint pipe | (25) Evaporation hose E |
| (2) Fuel tank band | (14) Evaporation hose B | (26) Fuel sub meter gasket |
| (3) Protector LH | (15) Evaporation pipe ASSY | (27) Jet pump filter |
| (4) Protector RH | (16) Evaporation hose D | (28) Fuel sub meter unit |
| (5) Fuel tank | (17) Clamp | (29) Roll over valve |
| (6) Fuel pump gasket | (18) Jet pump hose A | |
| (7) Fuel pump ASSY | (19) Fuel delivery hose A | |
| (8) Fuel cut valve gasket | (20) Fuel return hose A | |
| (9) Fuel cut valve | (21) Fuel pipe ASSY | |
| (10) Evaporation hose C | (22) Jet pump hose B | |
| (11) Evaporation hose A | (23) Fuel delivery hose B | |
| (12) Clip | (24) Fuel return hose B | |

Tightening torque: N-m (kg-m, ft-lb)

T1: 4.4±1.5 (0.45±0.15, 3.3±1.1)

T2: 7.4±2.0 (0.75±0.2, 5.4±1.4)

T3: 33±10 (3.4±1.0, 25±7)

2-8 [C1B2]

1. Fuel Tank

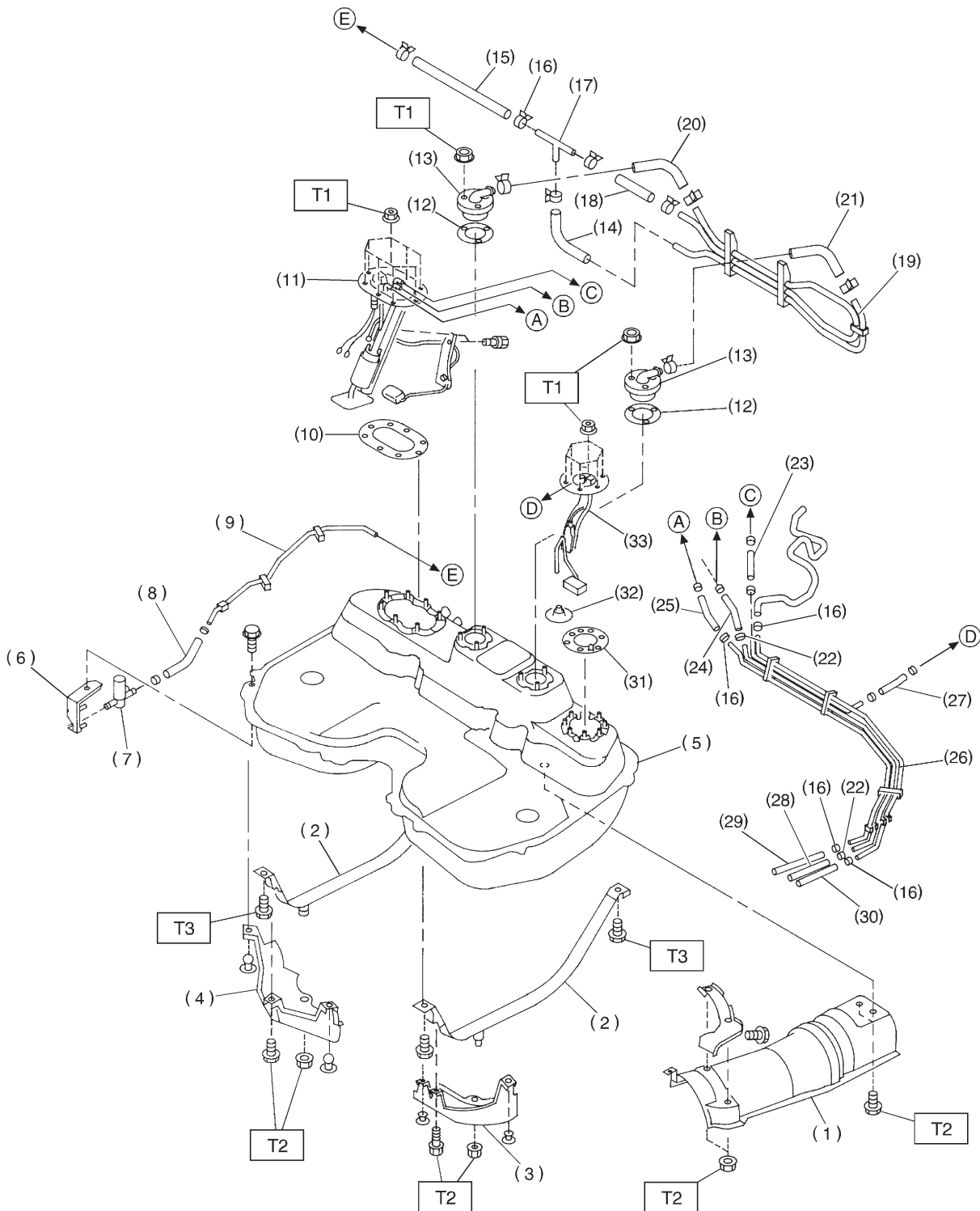
COMPONENT PARTS

- | | | |
|----------------------------|----------------------------|---|
| (1) Heat sealed cover | (16) Evaporation hose C | (31) Fuel sub meter gasket |
| (2) Fuel tank band | (17) Evaporation hose B | (32) Jet pump filter |
| (3) Protector LH | (18) Evaporation hose D | (33) Fuel sub meter unit |
| (4) Protector RH | (19) Evaporation hose E | (34) Protector cover |
| (5) Fuel tank | (20) Evaporation pipe ASSY | (35) Vent valve hose |
| (6) Canister hose A | (21) Canister hose B | (36) Vent valve |
| (7) Clip | (22) Jet pump hose A | (37) Fuel tank pressure sensor |
| (8) Fuel pump gasket | (23) Fuel delivery hose A | (38) Fuel tank pressure sensor hose |
| (9) Main fuel meter unit | (24) Fuel return hose A | (39) Vent valve gasket |
| (10) Fuel pump ASSY | (25) Clamp | |
| (11) Fuel cut valve gasket | (26) Jet pump hose B | <hr/> Tightening torque: N-m (kg-m, ft-lb) |
| (12) Fuel cut valve | (27) Fuel pipe ASSY | T1: 4.4±1.5 (0.45±0.15, 3.3±1.1) |
| (13) Evaporation hose A | (28) Fuel delivery hose B | T2: 7.4±2.0 (0.75±0.2, 5.4±1.4) |
| (14) Clip | (29) Fuel return hose B | T3: 33±10 (3.4±1.0, 25±7) |
| (15) Joint pipe | (30) Evaporation hose F | <hr/> |

COMPONENT PARTS

[C1B3] 2-8
1. Fuel Tank

3. 2500 cc MODEL



B2M0975B

2-8 [C1B3]

1. Fuel Tank

COMPONENT PARTS

- | | | |
|---|----------------------------|----------------------------|
| (1) Heat sealed cover | (14) Evaporation hose C | (28) Fuel delivery hose B |
| (2) Fuel tank band | (15) Evaporation hose A | (29) Fuel return hose B |
| (3) Protector LH | (16) Clip | (30) Evaporation hose F |
| (4) Protector RH | (17) Joint pipe | (31) Fuel sub meter gasket |
| (5) Fuel tank | (18) Evaporation hose B | (32) Jet pump filter |
| (6) Pressure control solenoid valve bracket | (19) Evaporation pipe ASSY | (33) Fuel sub meter unit |
| (7) Pressure control solenoid valve | (20) Evaporation hose D | |
| (8) Evaporation hose G | (21) Evaporation hose E | |
| (9) Evaporation pipe A | (22) Clamp | |
| (10) Fuel pump gasket | (23) Jet pump hose A | |
| (11) Fuel pump ASSY | (24) Fuel delivery hose A | |
| (12) Fuel cut valve gasket | (25) Fuel return hose A | |
| (13) Fuel cut valve | (26) Fuel pipe ASSY | |
| | (27) Jet pump hose B | |

Tightening torque: N-m (kg-m, ft-lb)**T1: 4.4±1.5 (0.45±0.15, 3.3±1.1)****T2: 7.4±2.0 (0.75±0.2, 5.4±1.4)****T3: 33±10 (3.4±1.0, 25±7)**
