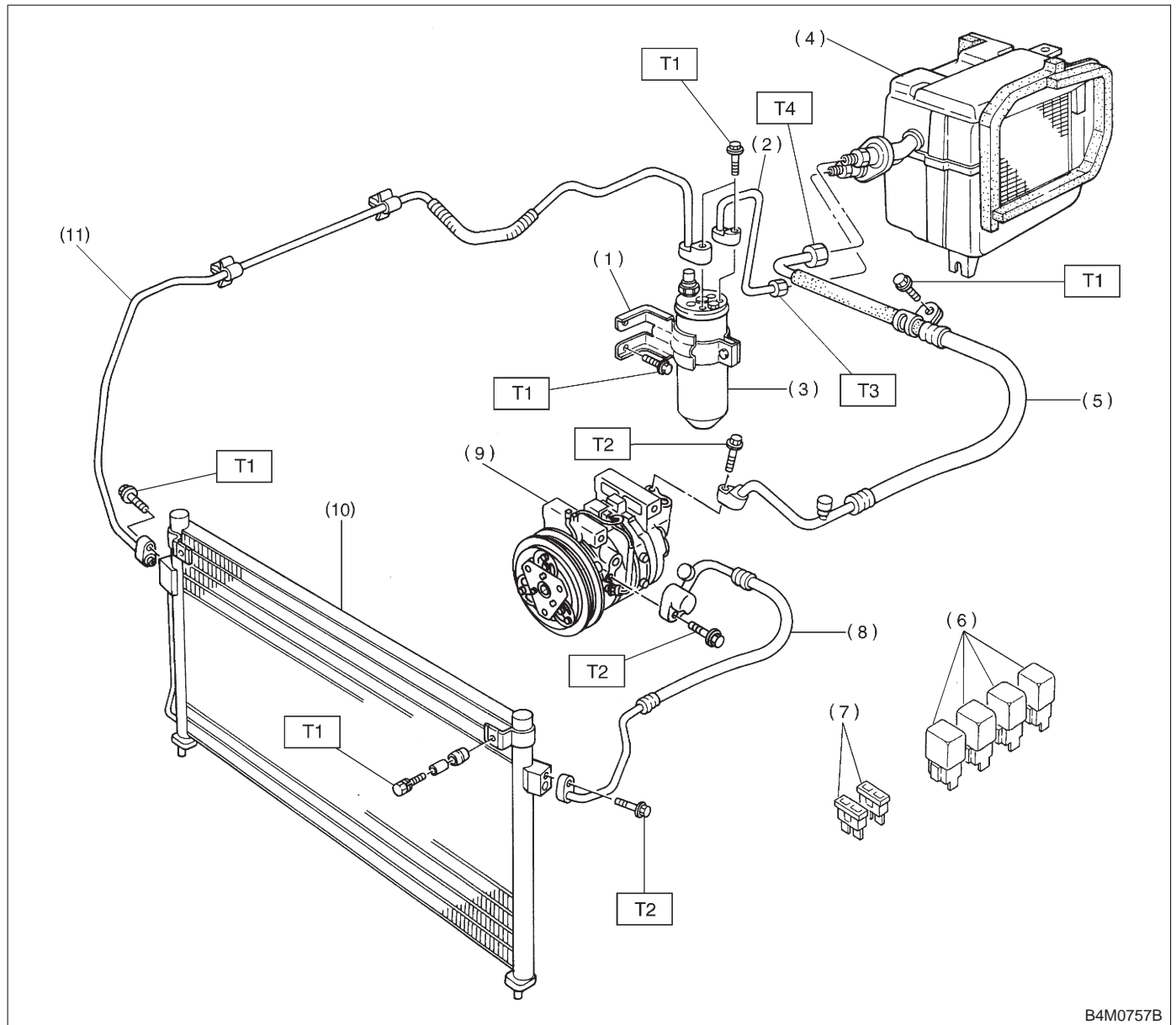


1. Air Conditioning System



B4M0757B

- |   |                                      |
|---|--------------------------------------|
| (1) Receiver drier bracket                  | (7) Fuse                             |
| (2) Pipe (Receiver drier — Evaporator unit) | (8) Hose (High-pressure)             |
| (3) Receiver drier                          | (9) Compressor                       |
| (4) Evaporator unit                         | (10) Condenser                       |
| (5) Hose (Low-pressure)                     | (11) Pipe (Condenser-Receiver drier) |
| (6) A/C relay                               |                                      |

**Tightening torque: N-m (kg-m, ft-lb)**

**T1: 7.4±2.0 (0.75±0.2, 5.4±1.4)**

**T2: 15±5 (1.5±0.5, 10.8±3.6)**

**T3: 15±3 (1.5±0.3, 10.8±2.2)**

**T4: 25±5 (2.5±0.5, 18.1±3.6)**