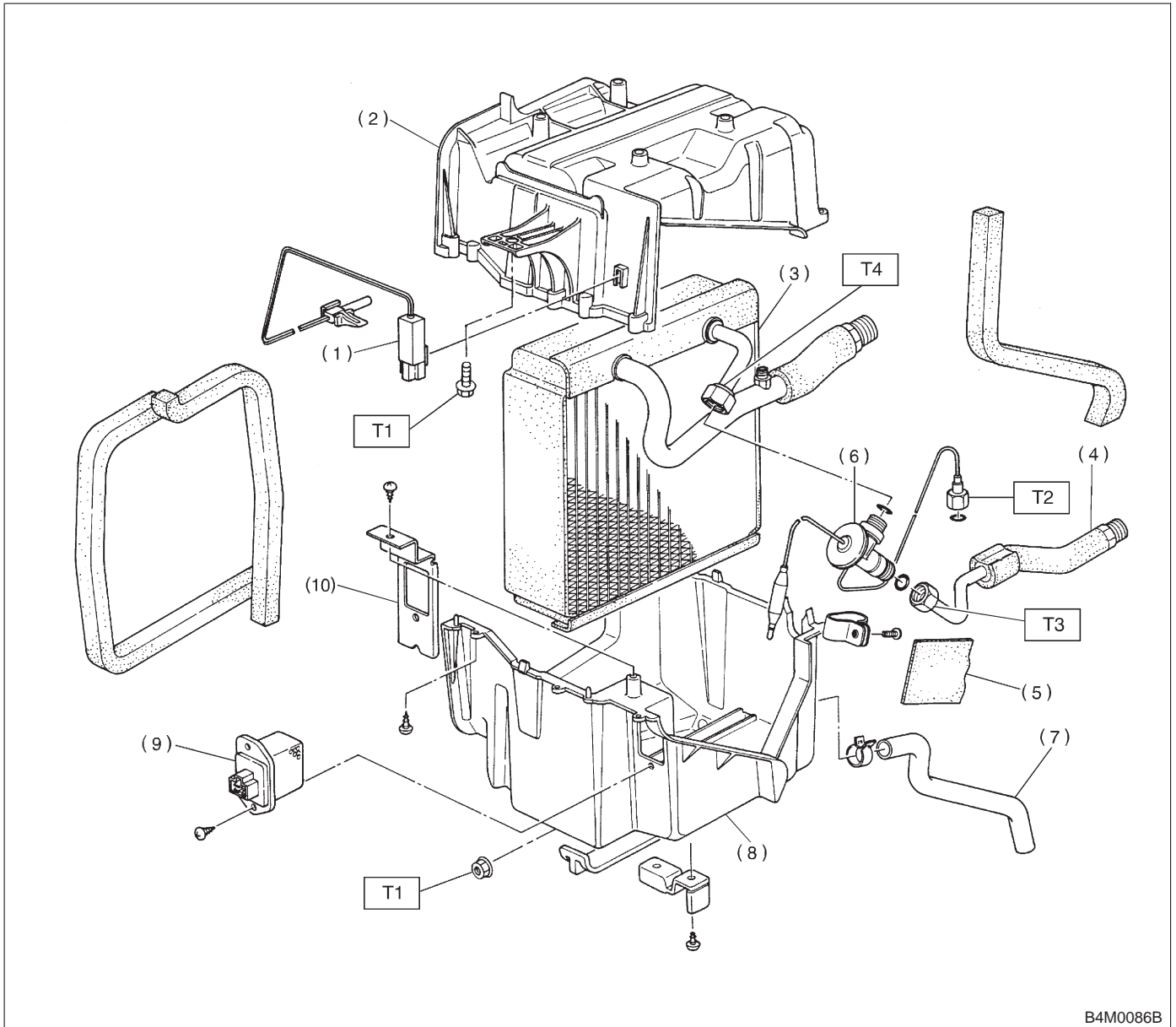


2. Evaporator Unit



B4M0086B

- |                              |                       |
|------------------------------|-----------------------|
| (1) Thermo control amplifier | (7) Drain hose        |
| (2) Case upper               | (8) Case lower        |
| (3) Cooling module           | (9) Resistor          |
| (4) Pipe                     | (10) Resistor bracket |
| (5) Seat                     |                       |
| (6) Expansion valve          |                       |

**Tightening torque: N-m (kg-m, ft-lb)**

**T1: 7.4±2.0 (0.75±0.2, 5.4±1.4)**

**T2: 10±3 (1.0±0.3, 7.2±2.2)**

**T3: 15±5 (1.5±0.5, 10.8±3.6)**

**T4: 20±5 (2.0±0.5, 14.5±3.6)**