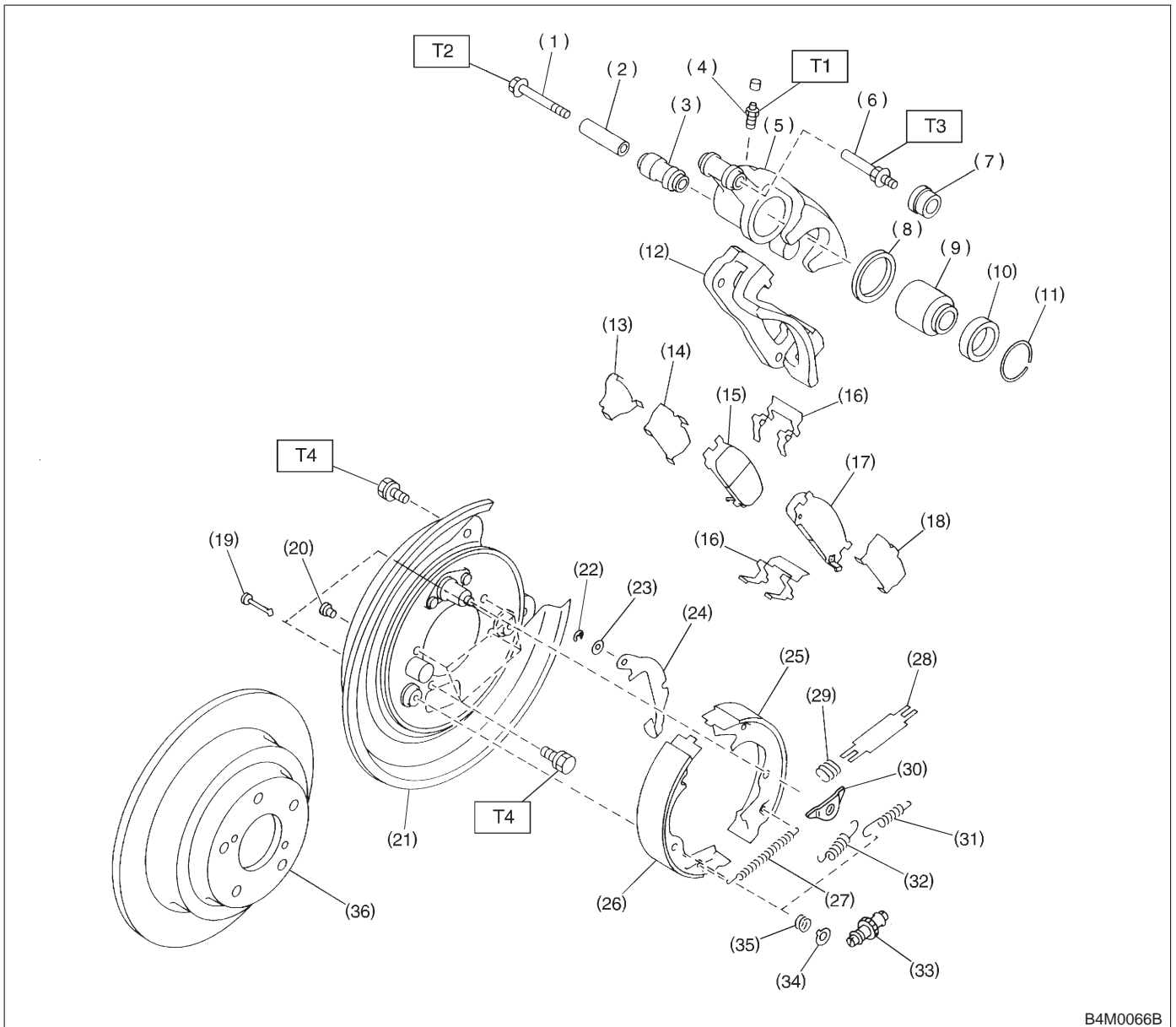


2. Rear Disc Brake



B4M0066B

- | | | |
|-----------------------|-------------------------------------|-----------------------------------|
| (1) Lock pin | (16) Pad clip | (31) Secondary shoe return spring |
| (2) Lock pin sleeve | (17) Outer pad | (32) Primary shoe return spring |
| (3) Lock pin boot | (18) Outer shim | (33) Adjuster |
| (4) Air bleeder screw | (19) Shoe hold-down pin | (34) Shoe hold-down cup |
| (5) Caliper body | (20) Cover | (35) Shoe hold-down spring |
| (6) Guide pin | (21) Back plate | (36) Disc rotor |
| (7) Guide pin boot | (22) Retainer | |
| (8) Piston seal | (23) Spring washer | |
| (9) Piston | (24) Parking brake lever | |
| (10) Piston boot | (25) Parking brake shoe (Secondary) | |
| (11) Boot ring | (26) Parking brake shoe (Primary) | |
| (12) Support | (27) Adjusting spring | |
| (13) Shim | (28) Strut | |
| (14) Inner shim | (29) Strut shoe spring | |
| (15) Inner pad | (30) Shoe guide plate | |

Tightening torque: N-m (kg-m, ft-lb)

T1: 8±1 (0.8±0.1, 5.8±0.7)

T2: 20±4 (2.0±0.4, 14.5±2.9)

T3: 26±5 (2.7±0.5, 19.5±3.6)

T4: 52±6 (5.3±0.6, 38.3±4.3)