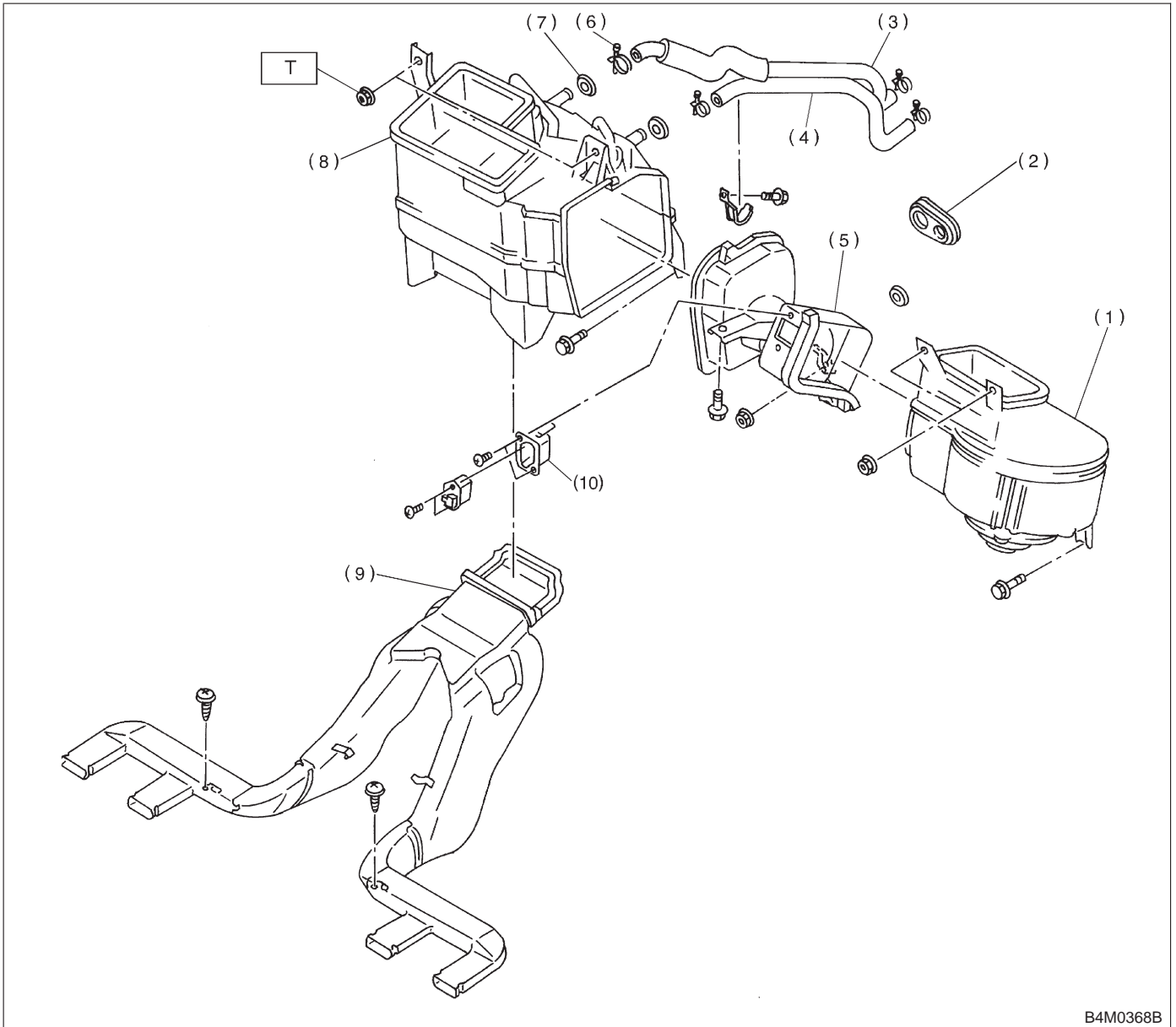


1. Heater System



B4M0368B

- |                   |                      |
|-------------------|----------------------|
| (1) Intake unit   | (6) Clamp            |
| (2) Grommet       | (7) Grommet          |
| (3) Hose (Inlet)  | (8) Heater unit      |
| (4) Hose (Outlet) | (9) Rear heater duct |
| (5) Heater duct   | (10) Resistor        |

**Tightening torque: N-m (kg-m, ft-lb)**  
**T: 7.35±1.96 (0.750±0.200, 5.421±1.446)**