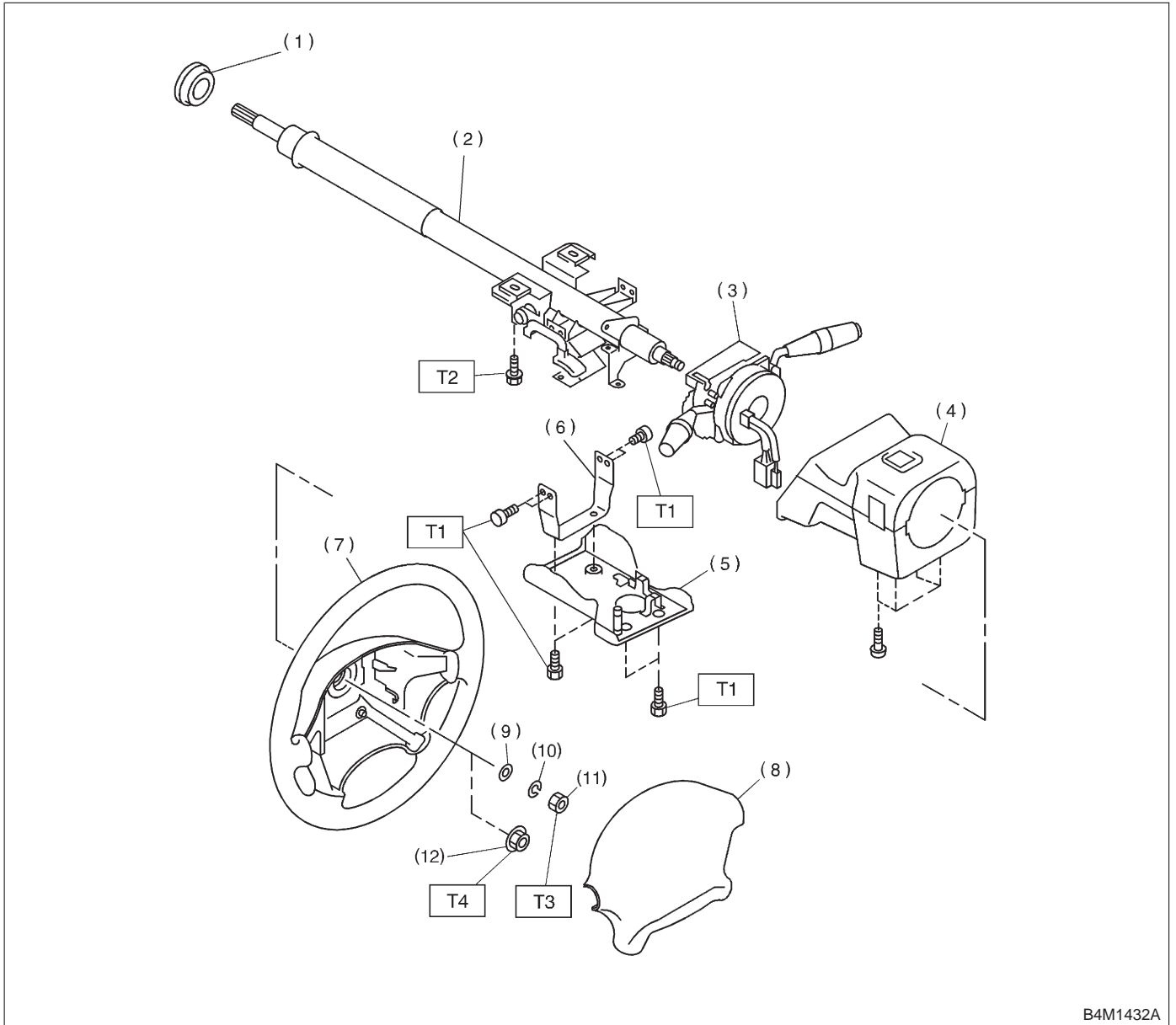


1. Steering Wheel and Column (Tilt)

A: WITH AIRBAG MODEL



B4M1432A

- | | |
|-----------------------------|--------------------|
| (1) Bushing | (8) Airbag module |
| (2) Column shaft | (9) Plain washer |
| (3) Steering roll connector | (10) Spring washer |
| (4) Column cover | (11) Nut |
| (5) Knee protector | (12) Flange nut |
| (6) Bracket absorbent | |
| (7) Steering wheel | |

Tightening torque: N·m (kg·m, ft·lb)

T1: 3.4±1.0 (0.35±0.1, 2.5±0.7)

T2: 25±5 (2.5±0.5, 18.1±3.6)

T3: 34±5 (3.5±0.5, 25.3±3.6)

T4: 44±5 (4.5±0.5, 32.5±3.6)