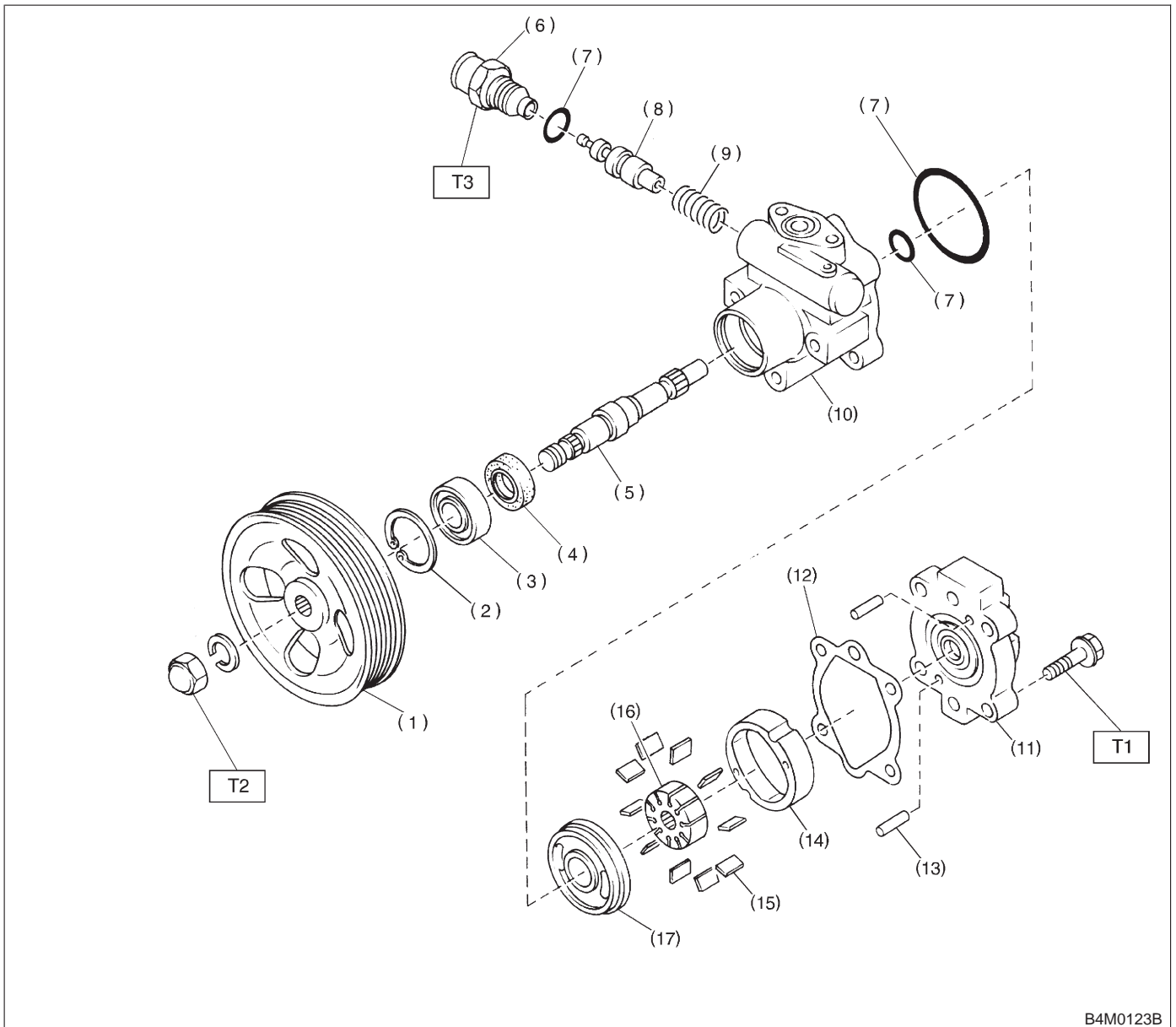


3. Power Steering Oil Pump



B4M0123B

- (1) Pulley
- (2) Snap ring
- (3) Bearing
- (4) Oil seal
- (5) Shaft
- (6) Connector
- (7) O-ring
- (8) Spool valve

- (9) Spring
- (10) Front casing
- (11) Rear cover
- (12) Gasket
- (13) Knock pin
- (14) Cam ring
- (15) Vane
- (16) Rotor

- (17) Side plate

Tightening torque: N-m (kg-m, ft-lb)

T1: 16±2 (1.6±0.2, 11.6±1.4)

T2: 61±7 (6.2±0.7, 44.8±5.1)

T3: 74±5 (7.5±0.5, 54.2±3.6)