

## 5. Replacement of Front SFJ, DOJ and BJ Boots

### A: REMOVAL

- 1) Disconnect ground cable from battery.
- 2) Jack-up vehicle, support it with safety stands (rigid racks), and remove front wheel cap and wheels.

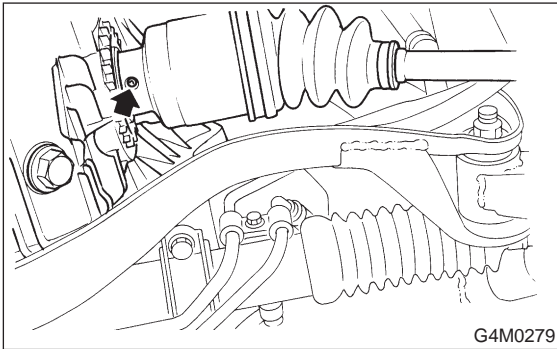
**NOTE:**

Do not remove axle nut.

- 3) Remove stabilizer link.
- 4) Disconnect transverse link from housing.
- 5) Remove spring pin which secures transmission spindle to DOJ/SFJ.

**CAUTION:**

Use a new spring pin.



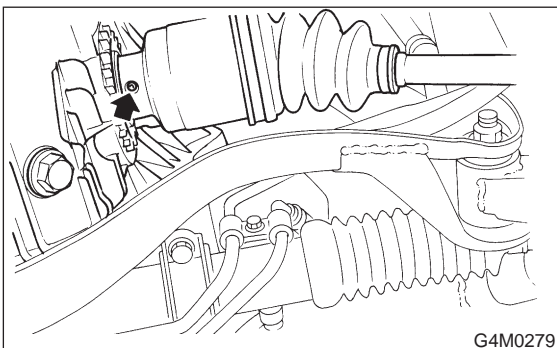
- 6) Remove SFJ, DOJ and BJ boots from drive shaft. <Ref. to 4-2 [W4B1].> or <Ref. to 4-2 [W4B2].>

### B: INSTALLATION

- 1) Install SFJ, DOJ and BJ boots to drive shaft. <Ref. to 4-2 [W4D1].> or <Ref. to 4-2 [W4D2].>
- 2) Install DOJ/SFJ on transmission spindle and drive spring pin into place.

**CAUTION:**

Always use a new spring pin.



- 3) Connect transverse link to housing.
- 4) Install stabilizer link.

## 6. Replacement of Rear DOJ and BJ Boots

### A: REMOVAL

- 1) Disconnect ground cable from battery.
- 2) Lift-up vehicle, and remove rear wheel cap and wheels.

**NOTE:**

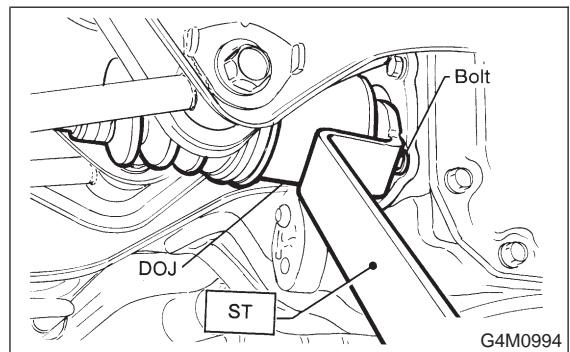
Axle nut need not be removed.

- 3) Remove ABS sensor clamps and parking brake cable bracket.
- 4) Disconnect stabilizer link from lateral link.
- 5) Remove bolts which secure lateral link assembly to rear housing.
- 6) Remove bolts which secure trailing link assembly to rear housing.
- 7) Remove crossmember reinforcement lower from crossmember (4 door model only).
- 8) Remove DOJ from rear differential using ST. (Except 2200 cc AT vehicles)

ST 28099PA100 DRIVE SHAFT REMOVER

**CAUTION:**

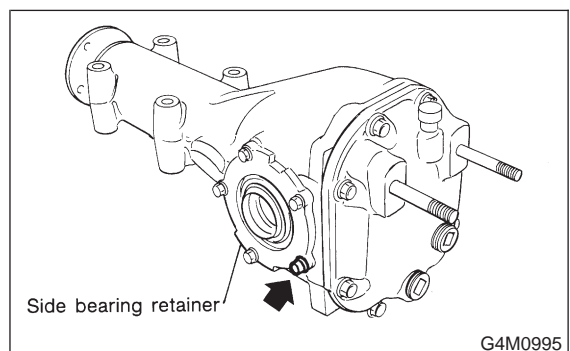
Do not remove circlip attached to inside of differential.



**CAUTION:**

Be careful not to damage side bearing retainer. Always use bolt as shown in figure, as supporting point for ST during removal.

ST 28099PA100 DRIVE SHAFT REMOVER



## SERVICE PROCEDURE

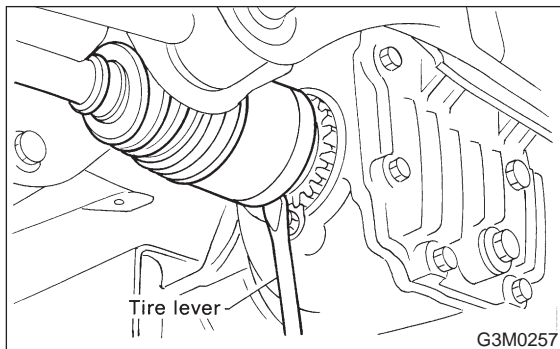
[W6B0] 4-2

### 6. Replacement of Rear DOJ and BJ Boots

9) Remove DOJ from rear differential using tire lever. (2200 cc AT vehicles)

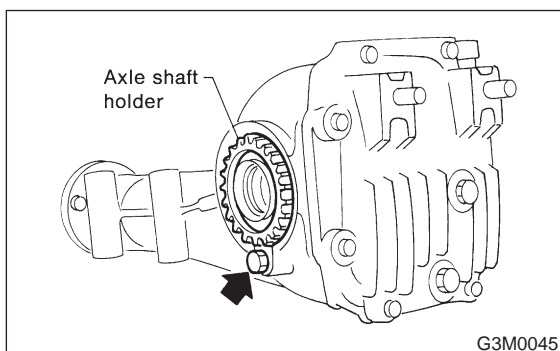
**NOTE:**

The side spline shaft circlip comes out together with the shaft.



**CAUTION:**

When removing the DOJ from the rear differential, fit tire lever to the bolt as shown in figure so as not to damage the axle shaft holder.



10) Remove DOJ and BJ boots from drive shaft. <Ref. to 4-2 [W4B3].>

## B: INSTALLATION

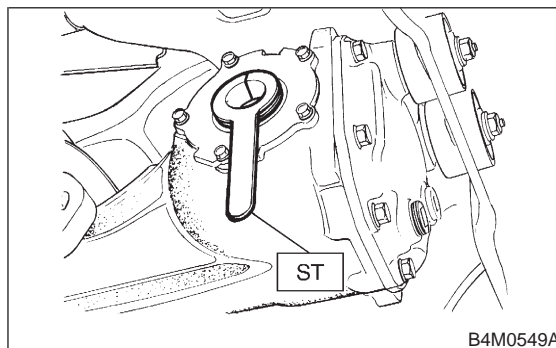
1) Install DOJ and BJ boots to drive shaft.

<Ref. to 4-2 [W4D3].>

2) Replace circlips from DOJ spline with new one. (2200 cc AT vehicles only)

3) Using ST, install DOJ into differential.

ST 28099PA090 SIDE OIL SEAL PROTECTOR

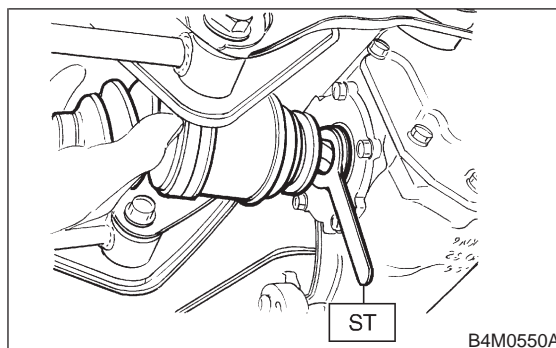


4) Insert DOJ spline end into bore of side oil seal, and remove ST.

**CAUTION:**

Do not allow DOJ splines to damage side oil seal.

ST 28099PA090 SIDE OIL SEAL PROTECTOR

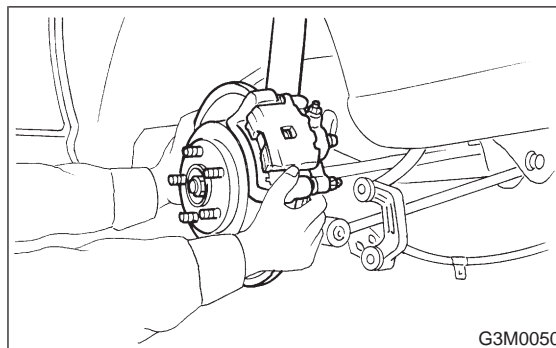


5) Align DOJ and differential splines.

6) Push housing to insert DOJ into differential.

**NOTE:**

Make sure DOJ is inserted properly.



**CAUTION:**

Discard old self-locking nut. Replace with a new one.

7) Connect rear housing assembly to trailing link assembly, and tighten self-locking nut.

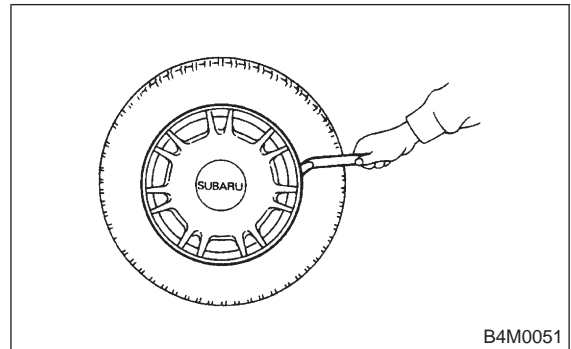
8) Connect rear housing assembly to lateral link

- assembly, and tighten self-locking nut.  
9) Connect stabilizer link to lateral link.  
10) Install crossmember reinforcement lower to crossmember (4 door model only).  
11) Install ABS sensor clamps and parking brake cable bracket.

## **7. Full Wheel Cap**

### **A: REMOVAL**

Pry off the full wheel cap with a wheel cap remover inserted between openings in the cap.



### **B: INSTALLATION**

Align the valve hole in the wheel cap with the valve on the wheel and secure the wheel cap by tapping four points by hand.