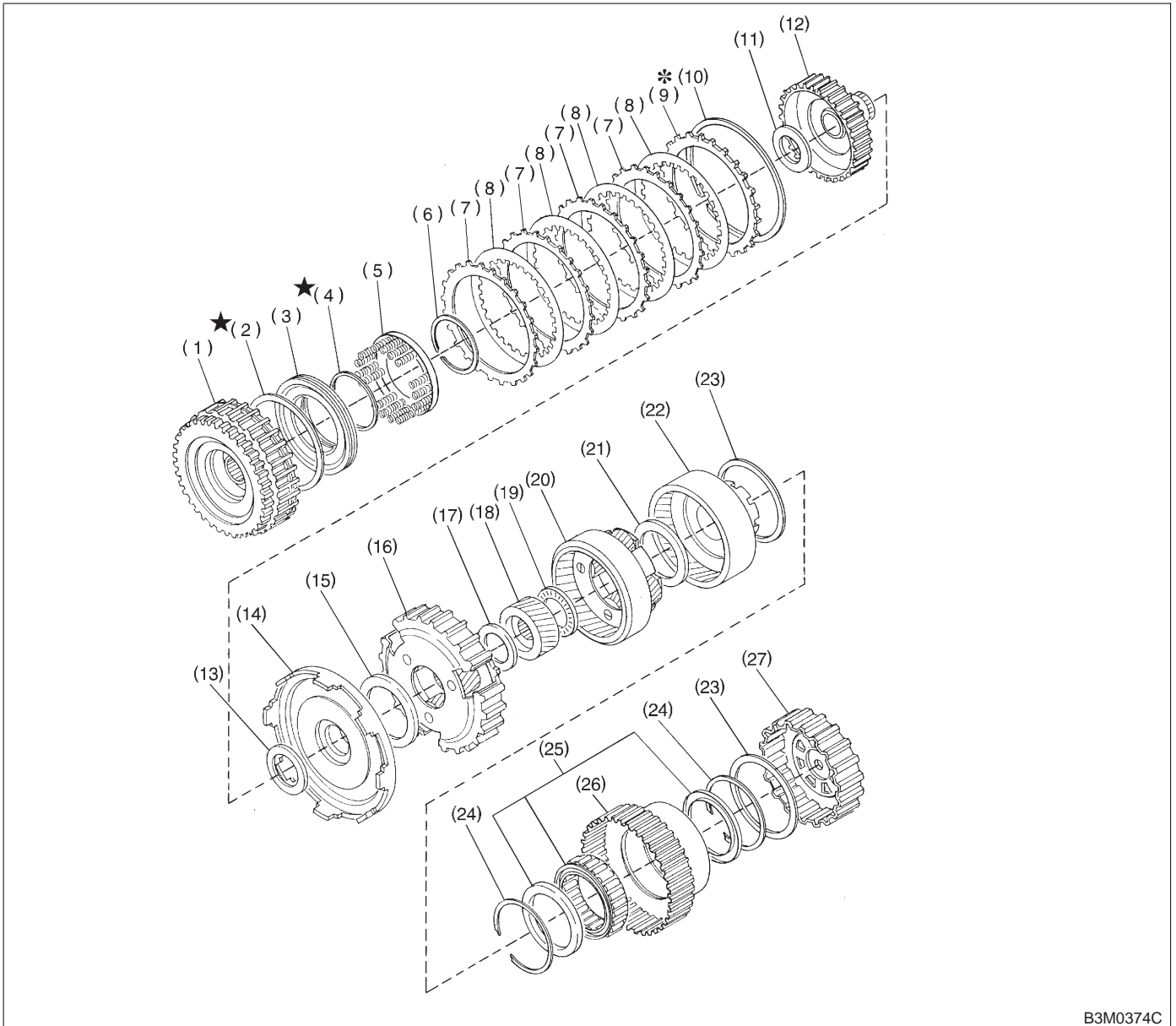


6. High Clutch and Planetary Gear



B3M0374C

- | | | |
|-------------------------|------------------------------|--------------------------------------|
| (1) High clutch drum | (10) Snap ring | (19) Thrust needle bearing |
| (2) Lathe cut seal ring | (11) Thrust needle bearing | (20) Rear planetary carrier |
| (3) Piston | (12) High clutch hub | (21) Thrust needle bearing |
| (4) Lathe cut seal ring | (13) Thrust needle bearing | (22) Rear internal gear |
| (5) Spring retainer | (14) Front sun gear | (23) Thrust washer |
| (6) Snap ring | (15) Thrust needle bearing | (24) Snap ring |
| (7) Driven plate | (16) Front planetary carrier | (25) One-way clutch (3-4) |
| (8) Drive plate | (17) Thrust needle bearing | (26) One-way clutch outer race (3-4) |
| (9) Retaining plate | (18) Rear sun gear | (27) Overrunning clutch hub |