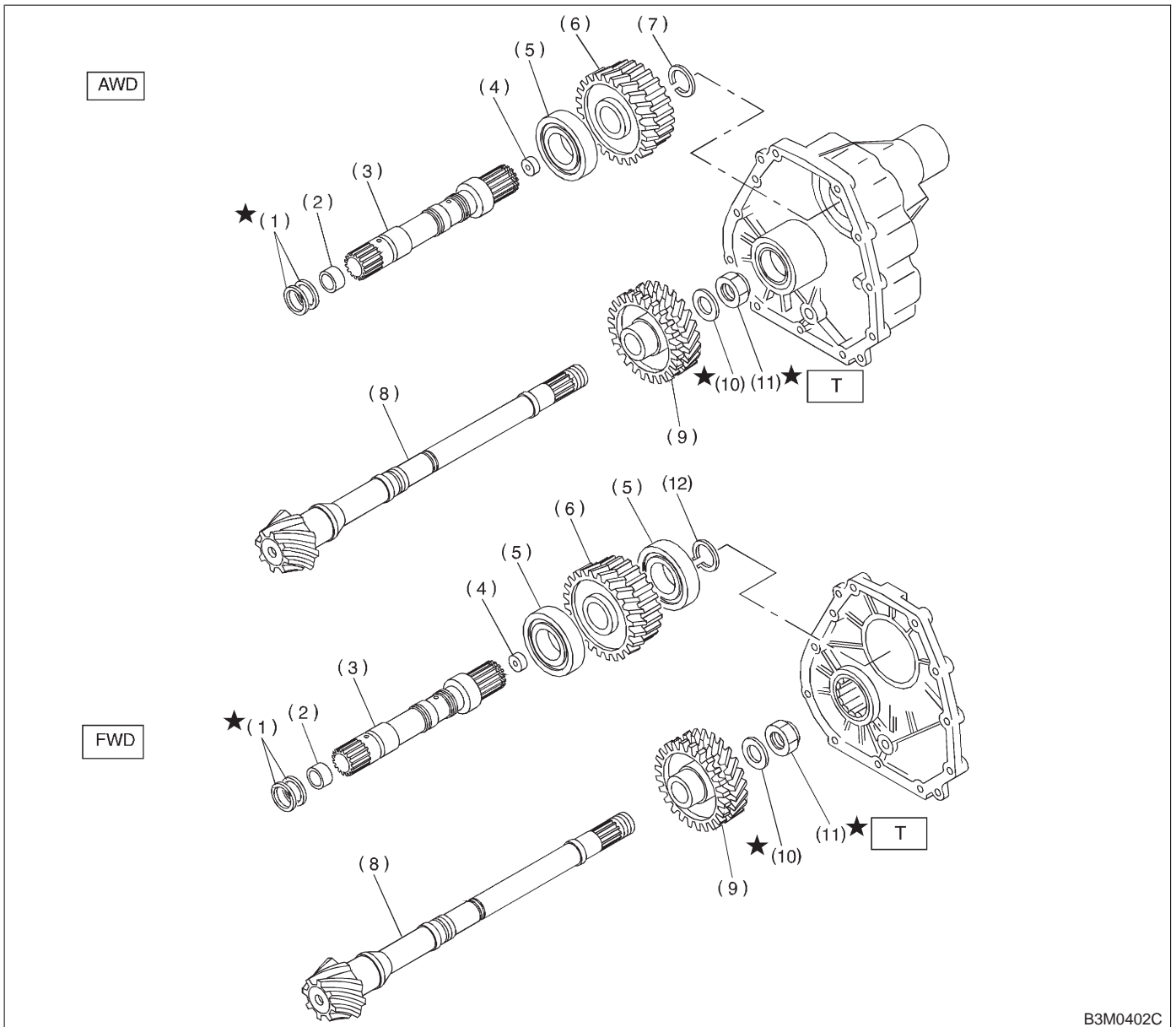


8. Reduction Gear



B3M0402C

- (1) Seal ring
- (2) Bushing
- (3) Reduction drive shaft
- (4) Plug
- (5) Ball bearing

- (6) Reduction drive gear
- (7) Snap ring
- (8) Drive pinion shaft
- (9) Reduction driven gear
- (10) Washer

- (11) Lock nut
- (12) Snap ring

Tightening torque: N-m (kg-m, ft-lb)
T: 98±5 (10.0±0.5, 72.3±3.6)