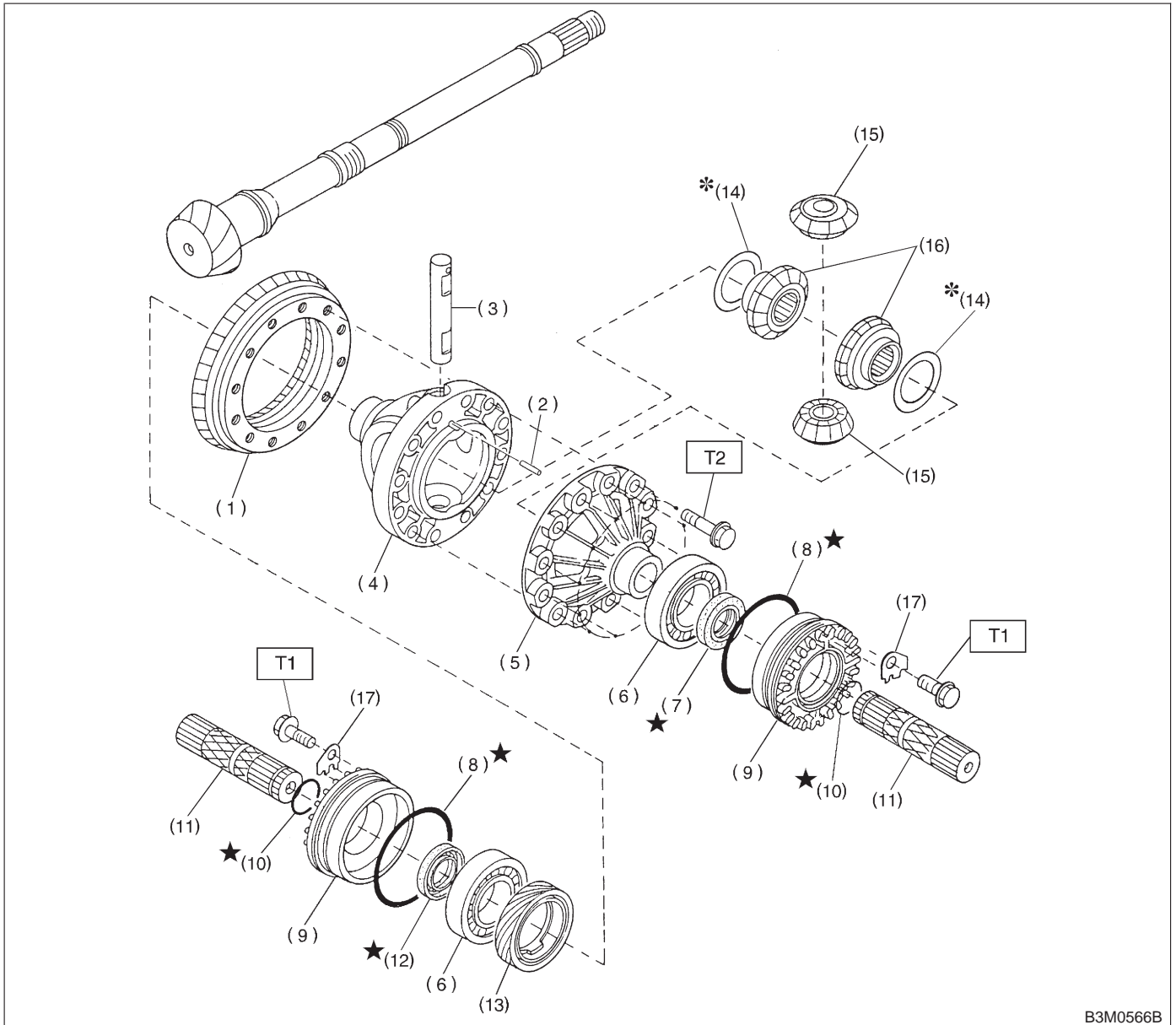


9. Differential Case



B3M0566B

- | | |
|----------------------------|--------------------------------|
| (1) Crown gear | (9) Differential side retainer |
| (2) Straight pin | (10) Circlip |
| (3) Pinion shaft | (11) Axle shaft |
| (4) Differential case (RH) | (12) Oil seal (RH) |
| (5) Differential case (LH) | (13) Speedometer drive gear |
| (6) Taper roller bearing | (14) Washer |
| (7) Oil seal (LH) | (15) Differential bevel pinion |
| (8) O-ring | (16) Differential bevel gear |

- (17) Lock plate

Tightening torque: N-m (kg-m, ft-lb)

T1: 25±2 (2.5±0.2, 18.1±1.4)

T2: 62±5 (6.3±0.5, 45.6±3.6)