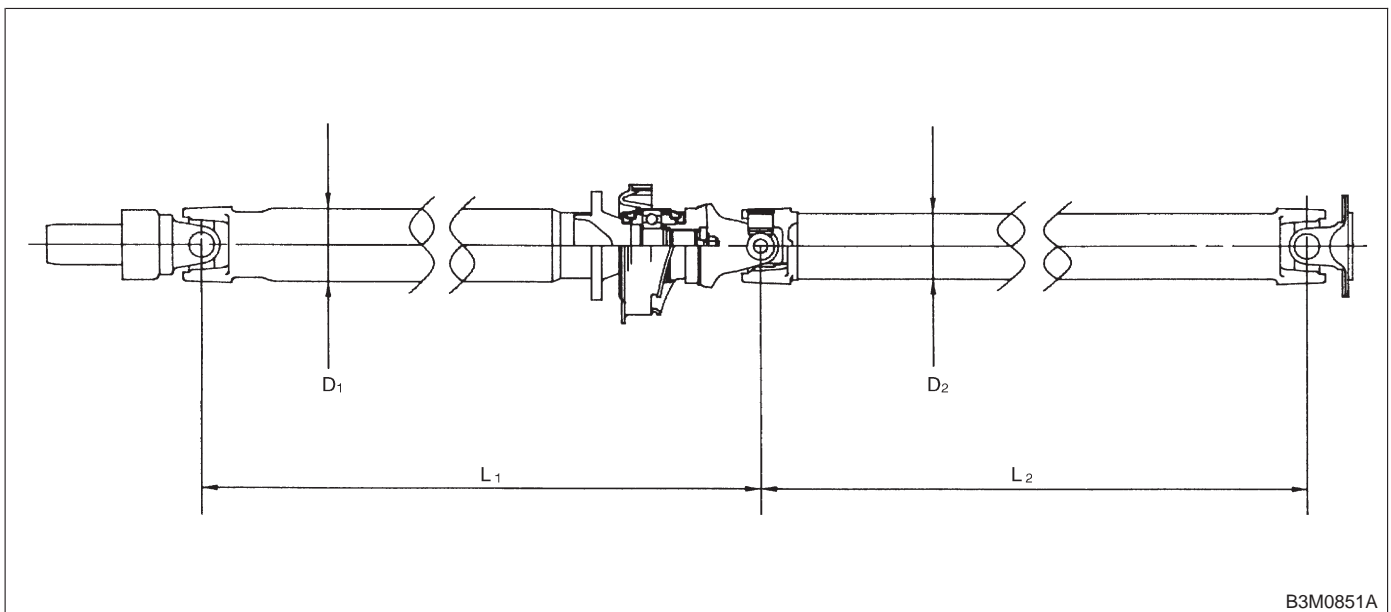


1. Propeller Shaft

A: SPECIFICATIONS

Front propeller shaft Joint-to-joint length: L_1 mm (in)	AT	693 (27.28)
	MT	634 (24.96)
Rear propeller shaft Joint-to-joint length: L_2 mm (in)		768 (30.24)
Outside dia. of tube mm (in)	D_1	63.5 (2.500)
	D_2	57.0 (2.244)



B3M0851A