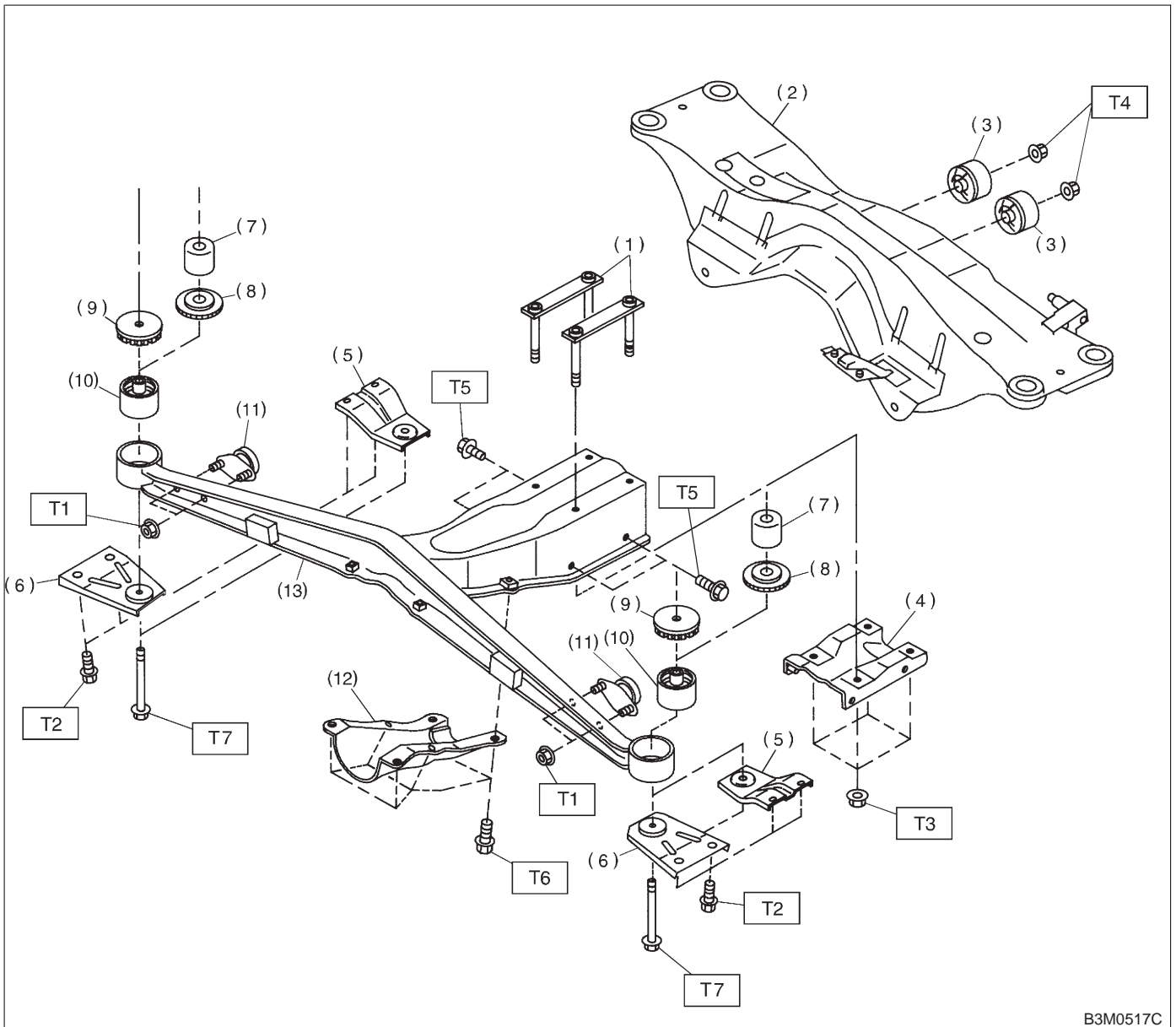


3. Rear Differential Mounting System



B3M0517C

- |  |  |
|--|--|
| (1) Plate                                      | (9) Stopper                            |
| (2) Crossmember                                | (10) Front bushing                     |
| (3) Rear bushing                               | (11) Dynamic damper (2500 cc MT model) |
| (4) Differential mount lower bracket           | (12) Differential mount front cover    |
| (5) Differential mount bracket (OUTBACK model) | (13) Differential front member         |
| (6) Differential mount bracket                 |  |
| (7) Boss (OUTBACK model)                       |  |
| (8) Stopper (OUTBACK model)                    |  |

**Tightening torque: N-m (kg-m, ft-lb)**

- T1: 20±5 (2.0±0.5, 14.5±3.6)**  
**T2: 32±8 (3.3±0.8, 23.9±5.8)**  
**T3: 64±8 (6.5±0.8, 47.0±5.8)**  
**T4: 69±8 (7.0±0.8, 50.6±5.8)**  
**T5: 69±10 (7.0±1.0, 51.0±7.2)**  
**T6: 88±10 (9.0±1.0, 65.0±7.2)**  
**T7: 98±10 (10.0±1.0, 72.0±7.2)**