

1. Propeller Shaft

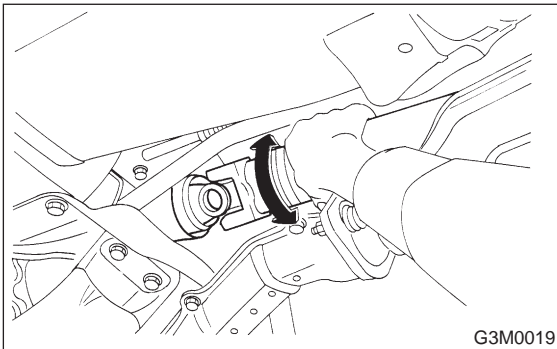
A: ON-CAR SERVICE

1) Joints and connections

Check for any looseness of yoke flange connecting bolts and center bearing retaining bolts.

2) Splines and bearing locations

Turn propeller shaft by hand to see if abnormal free play exists at splines. Also move yokes to see if abnormal free play exists at spiders and bearings.



3) Runout of propeller shaft

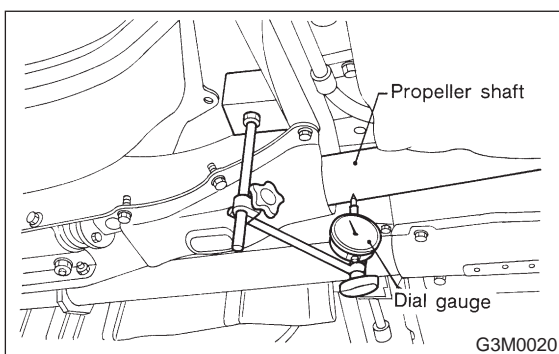
Turn rear wheels by hand to check for "runout" of propeller shaft.

NOTE:

Measure runout with a dial gauge at the center of front and rear propeller shaft tubes.

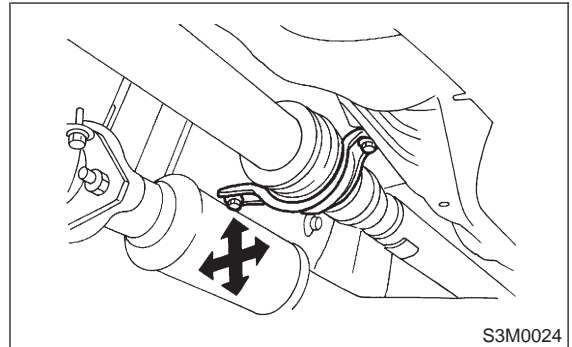
Runout:

Limit 0.6 mm (0.024 in)



4) Center bearing free play

While holding propeller shaft near center bearing with your hand, move it up and down, and left and right to check for any abnormal bearing free play.

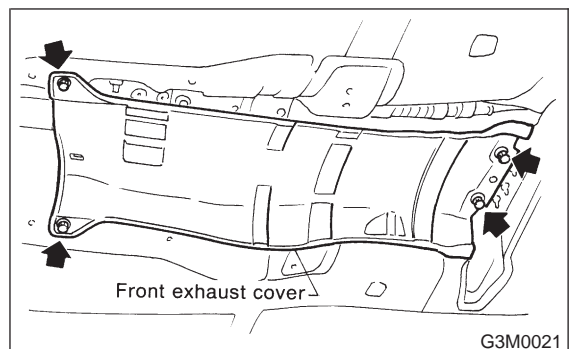


B: REMOVAL

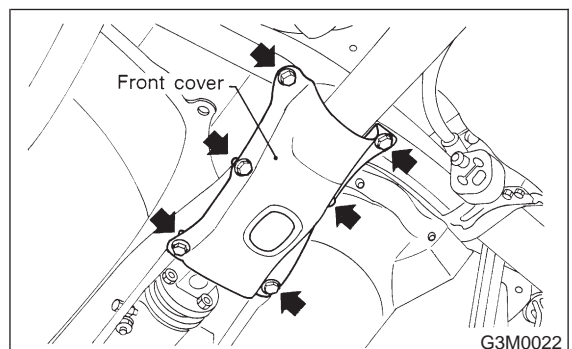
NOTE:

Before removing propeller shaft, wrap metal parts with a cloth or rubber material.

- 1) Disconnect ground cable from battery.
- 2) Move selector lever or gear shift lever to "N".
- 3) Release the parking brake.
- 4) Jack-up vehicle and support it with sturdy racks.
- 5) Remove rear exhaust pipe. <Ref. to 2-9 [W3A0].>
- 6) Remove muffler. <Ref. to 2-9 [W4A0].>
- 7) Remove front exhaust cover.



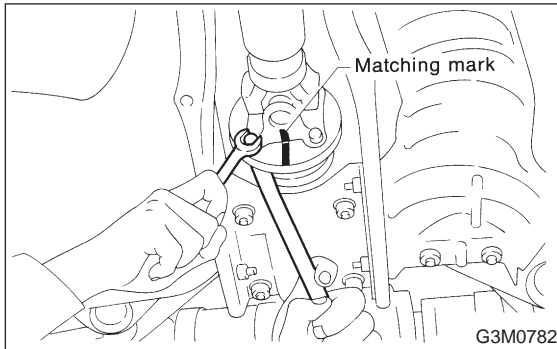
8) Remove differential mount front cover.



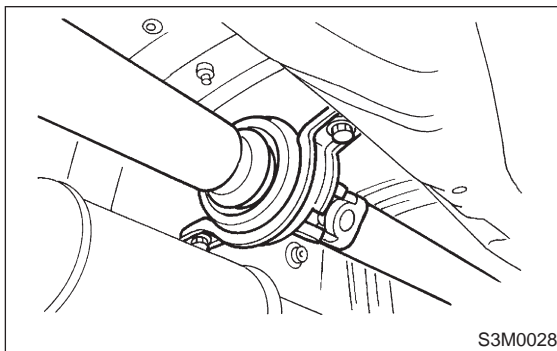
9) Remove the four bolts which hold propeller shaft to rear differential.

NOTE:

- Put matching mark on affected parts before removal.
- Remove all but one bolt.



10) Remove the two bolts which hold center bearing to vehicle body.



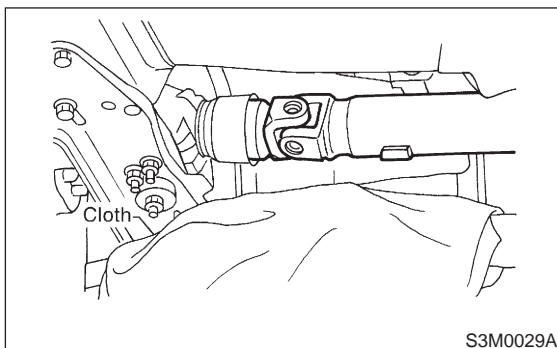
11) Remove propeller shaft from transmission.

CAUTION:

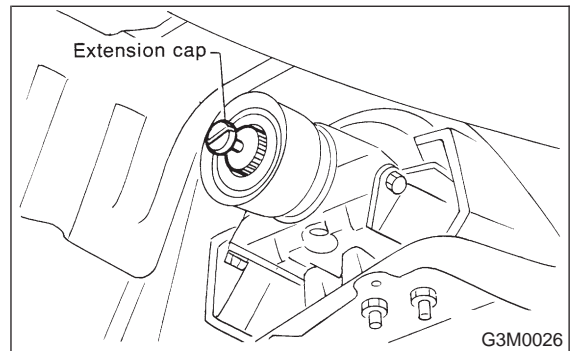
Be sure not to damage oil seals and the frictional surface of sleeve yoke.

NOTE:

- Be sure to use an empty oil can to catch oil flowing out when removing propeller shaft.
- Be sure to plug the opening in transmission after removal of propeller shaft.



12) Install the extension cap to transmission.



C: DISASSEMBLY AND ASSEMBLY

NOTE:

Do not disassemble propeller shaft. It is a single unit.

D: INSPECTION

NOTE:

Do not disassemble propeller shaft. Check the following and replace if necessary.

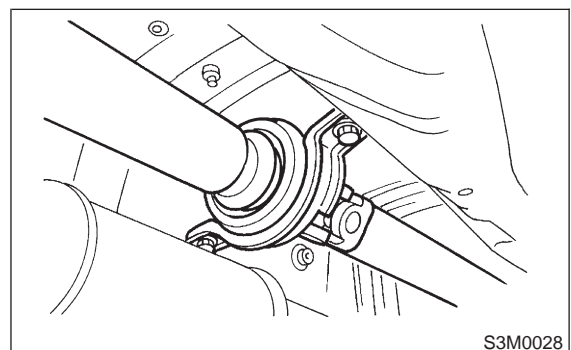
- 1) Tube surfaces for dents or cracks
- 2) Splines for deformation or abnormal wear
- 3) Joints for non-smooth operation or abnormal noise
- 4) Center bearing for free play, noise or non-smooth operation
- 5) Oil seals for abnormal wear or damage
- 6) Center bearing for breakage or damage to rubber boot

E: INSTALLATION

- 1) Insert sleeve yoke into transmission and attach center bearing to vehicle body.

Tightening torque:

$52 \pm 5 \text{ N}\cdot\text{m}$ ($5.3 \pm 0.5 \text{ kg}\cdot\text{m}$, $38.3 \pm 3.6 \text{ ft}\cdot\text{lb}$)



3-4 [W2A1]

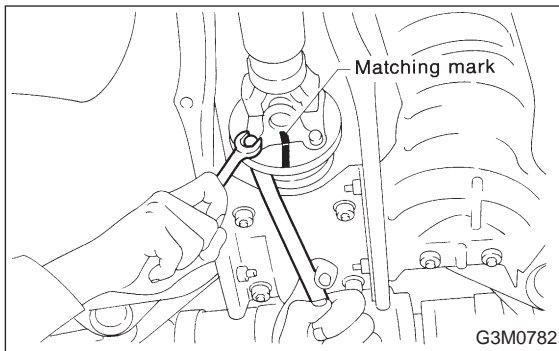
2. Rear Differential

SERVICE PROCEDURE

2) Align matching marks and connect flange yoke and rear differential.

Tightening torque:

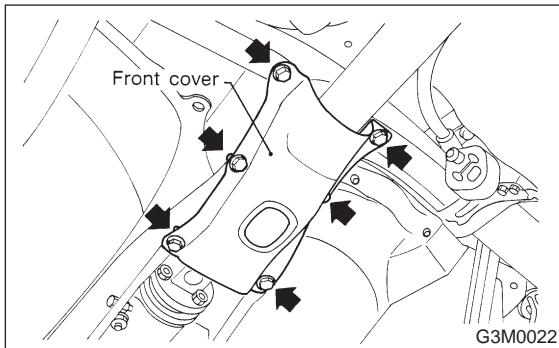
31 ± 8 N·m (3.2 ± 0.8 kg·m, 23.1 ± 5.8 ft·lb)



3) Install differential mount front cover.

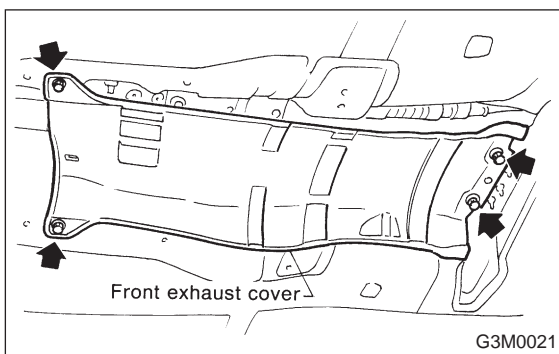
Tightening torque:

88 ± 10 N·m (9.0 ± 1.0 kg·m, 65 ± 7 ft·lb)



4) Install front exhaust cover.

5) Install rear exhaust pipe and muffler.

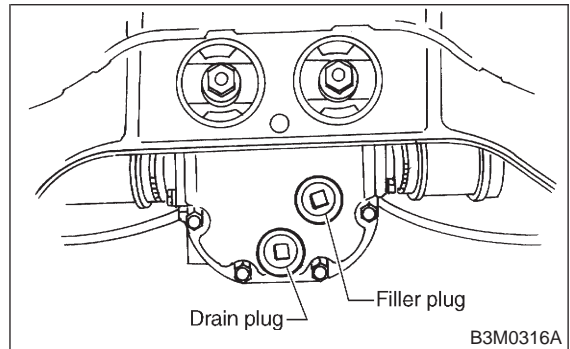


2. Rear Differential

A: ON-CAR SERVICE

1. FRONT OIL SEAL

- 1) Disconnect ground cable from battery.
- 2) Move selector lever or gear shift lever to "N".
- 3) Release the parking brake.
- 4) Remove oil drain plug, and drain gear oil.

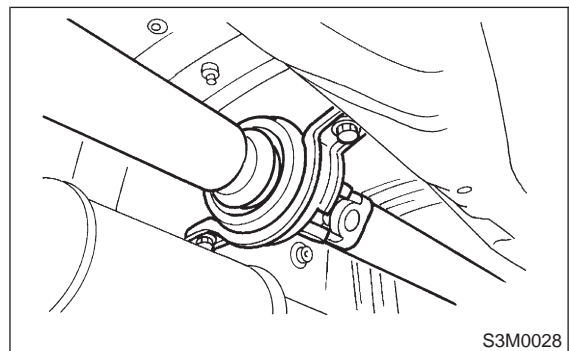


5) Jack-up rear wheels and support the vehicle body with sturdy racks.

6) Remove propeller shaft from body. <Ref. to 3-4 [W1B0].>

CAUTION:

Wrap metal parts with a cloth or rubber material to prevent damage from adjacent metal parts.



7) Remove self-locking nut while holding companion flange with ST.

ST 498427200 FLANGE WRENCH

