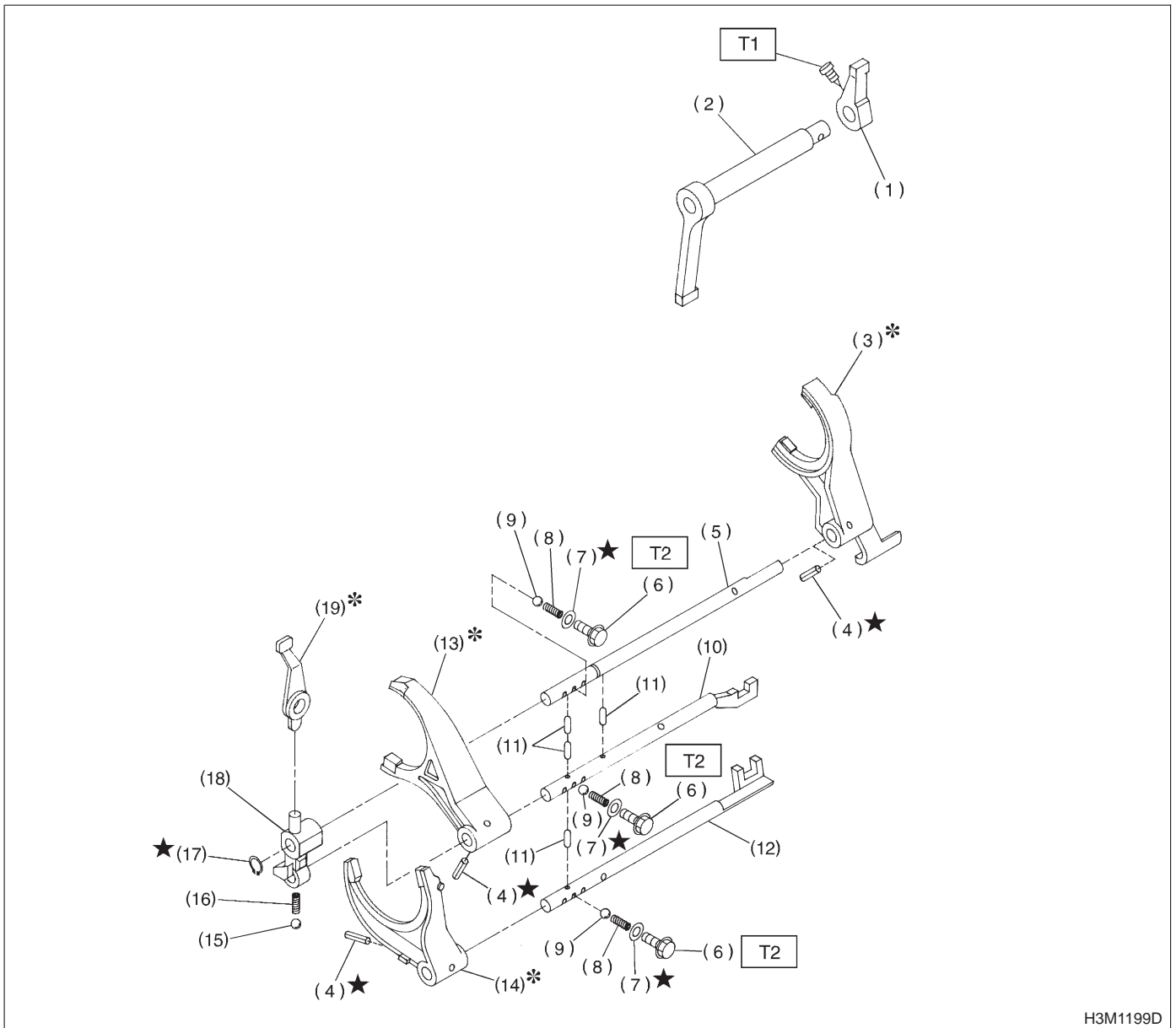


4. Shifter Fork and Shifter Rod



H3M1199D

- | | | |
|--------------------------|---------------------------|----------------------------|
| (1) Selector arm | (9) Ball | (17) Snap ring (Outer) |
| (2) Shifter arm | (10) 3rd-4th fork rod | (18) Reverse fork rod arm |
| (3) 5th shifter fork | (11) Interlock plunger | (19) Reverse shifter lever |
| (4) Straight pin | (12) 1st-2nd fork rod | |
| (5) Reverse fork rod | (13) 3rd-4th shifter fork | |
| (6) Checking ball plug | (14) 1st-2nd shifter fork | |
| (7) Gasket | (15) Ball | |
| (8) Checking ball spring | (16) Spring | |

Tightening torque: N-m (kg-m, ft-lb)
T1: 10±1 (1.0±0.1, 7.2±0.7)
T2: 19.6±1.5 (2.00±0.15, 14.5±1.1)