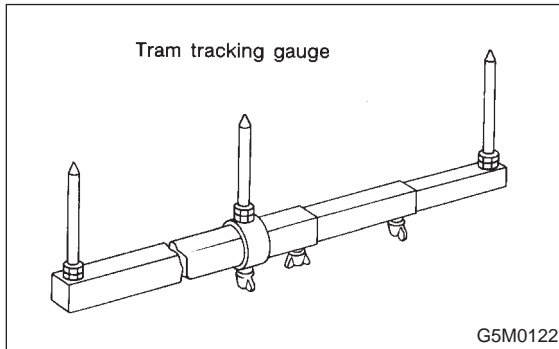


3. Datum Dimensions

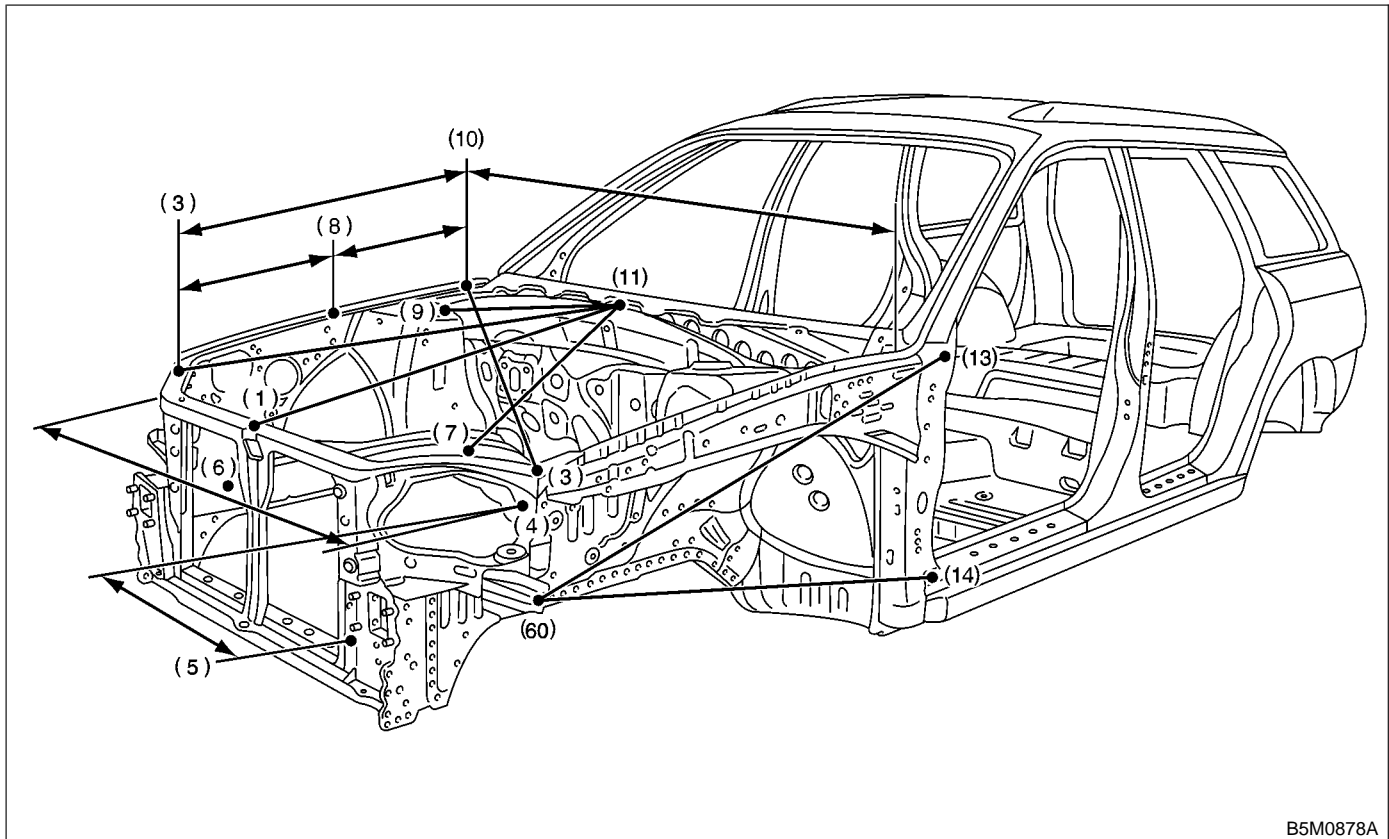
Use a tram tracking gauge to measure all dimensions. If a measuring tape is used, be extremely careful because it tends to deflect or twist, which results in a false reading.



NOTE:

- A suffix character "R" or "L" refers to the right or the left.
- All dimensions refer to the distance between the centers of holes measured in a straight line.
- Each dimension indicates a projected dimension between hole centers.

A: FRONT STRUCTURE

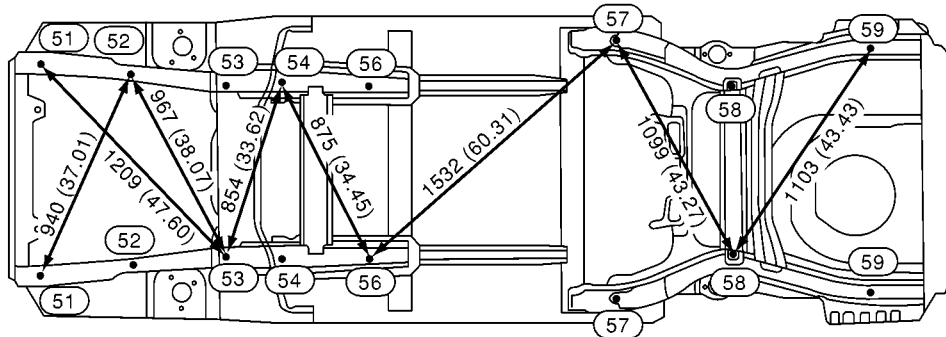
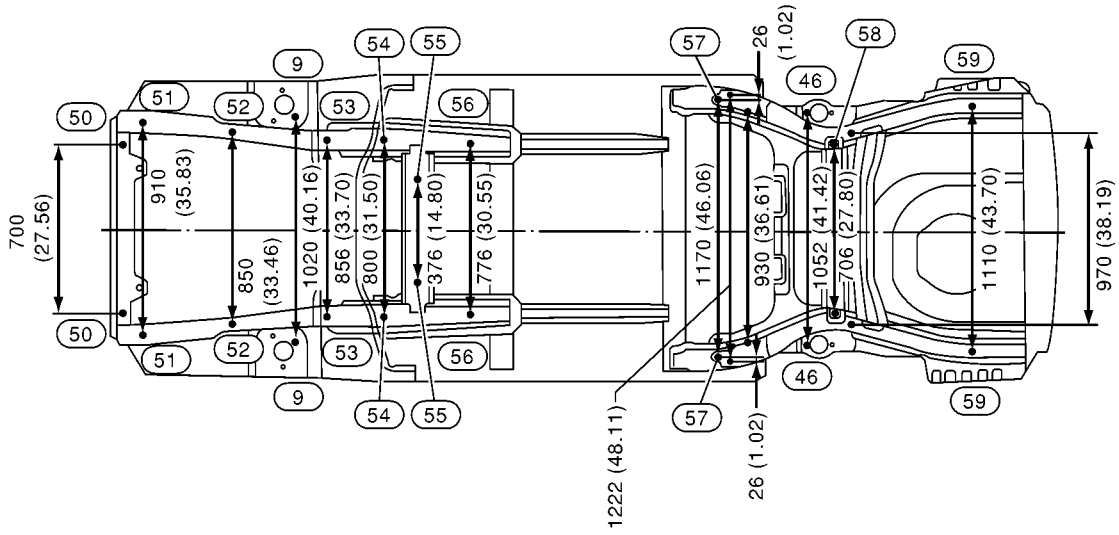
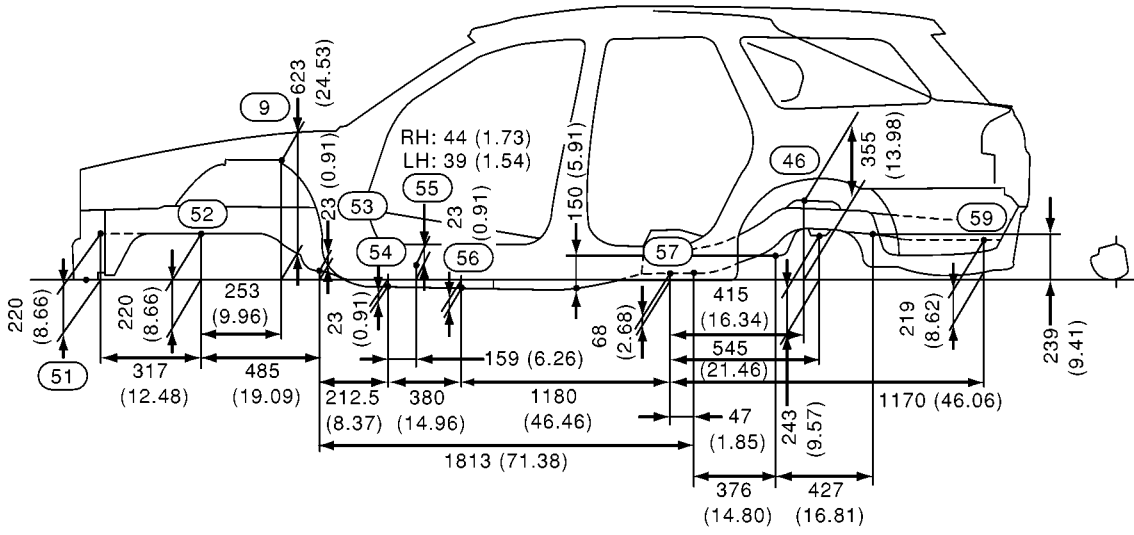


B5M0878A

Point to point	Dimension	Point to point	Dimension
(11) to (1)	888 (34.96)	(4) RH to (4) LH	1,320 (51.97)
(11) to (9) RH	519 (20.43)	(5) RH to (4) LH	1,073 (42.24)
(11) to (9) LH	519 (20.43)	(5) LH to (4) RH	1,073 (42.24)
(11) to (6) RH	950 (37.40)	(60) RH to (13) RH	1,179 (46.42)
(11) to (6) LH	950 (37.40)	(60) LH to (13) LH	1,179 (46.42)
(11) to (3) RH	1,008 (39.68)	(60) RH to (14) RH	1,135 (44.68)
(11) to (3) LH	1,008 (39.68)	(60) LH to (14) LH	1,135 (44.68)
(10) RH to (3) RH	897 (35.31)	(10) RH to (3) LH	1,679 (66.10)
(10) RH to (8) RH	504 (19.84)	(10) LH to (3) RH	1,679 (66.10)
(10) LH to (8) LH	504 (19.84)	(8) RH to (8) LH	1,398 (55.04)
(9) RH to (9) LH	1,020 (40.16)	(8) RH to (10) LH	1,519 (59.80)
(6) RH to (6) LH	870 (34.25)	(8) LH to (10) RH	1,519 (59.80)
(6) RH to (10) LH	1,522 (59.92)	(3) RH to (8) LH	1,439 (56.65)
(6) LH to (10) RH	1,522 (59.92)	(3) LH to (8) RH	1,439 (56.65)
(8) RH to (3) RH	395 (15.55)	(7) RH to (7) LH	860 (33.86)
(8) LH to (3) LH	395 (15.55)	(7) RH to (6) LH	943 (37.13)
(10) RH to (10) LH	1,470 (57.87)	(7) LH to (6) RH	943 (37.13)
(3) RH to (3) LH	1,370 (53.94)	(7) RH to (10) LH	1,322 (52.05)
(5) RH to (5) LH	720 (28.35)	(7) LH to (10) RH	1,322 (52.05)

Unit: mm (in)

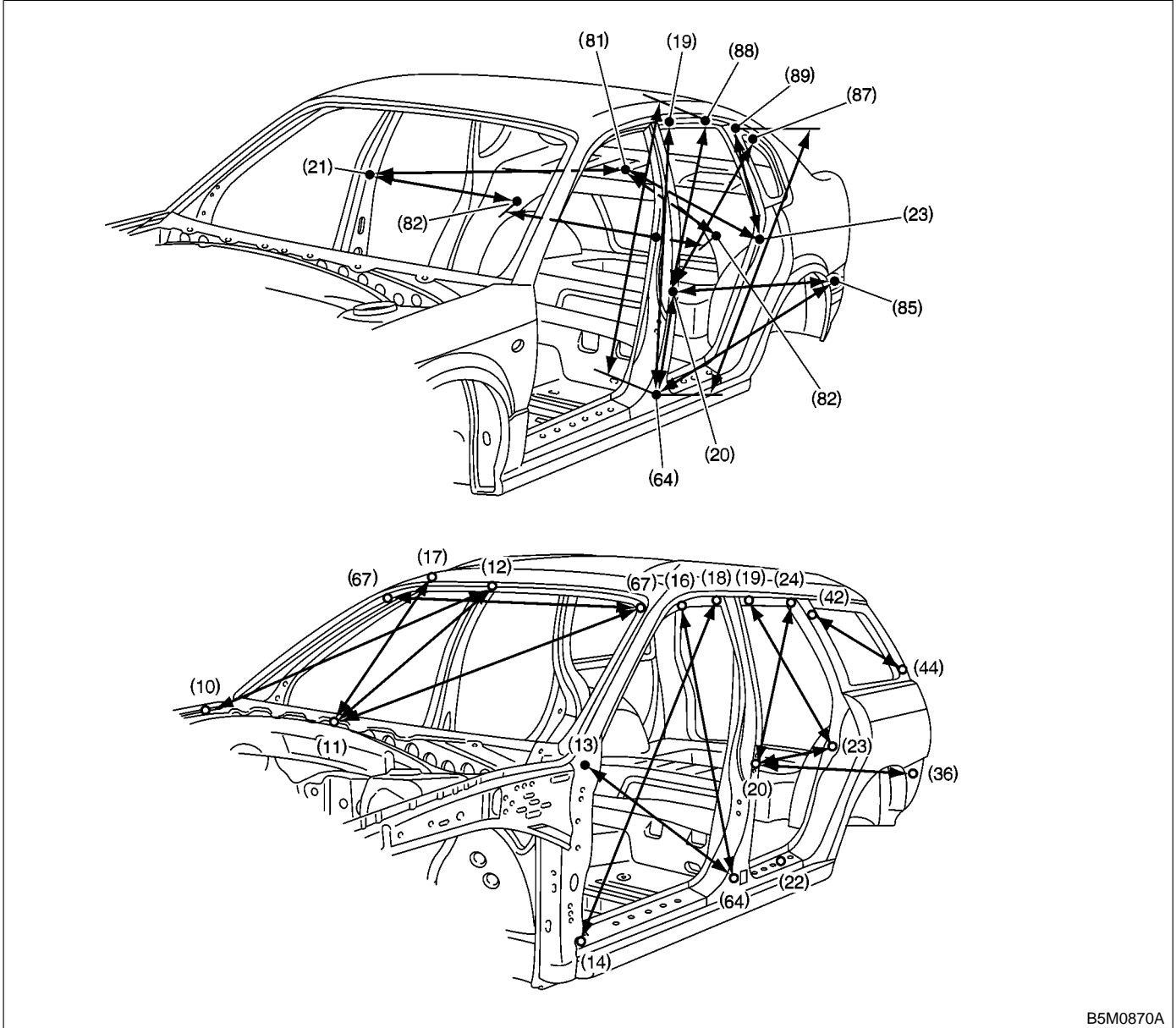
B: CENTER STRUCTURE



Unit: mm (in)

MEMO:

C: WINDSHIELD AND DOORS



B5M0870A

SPECIFICATIONS AND SERVICE DATA

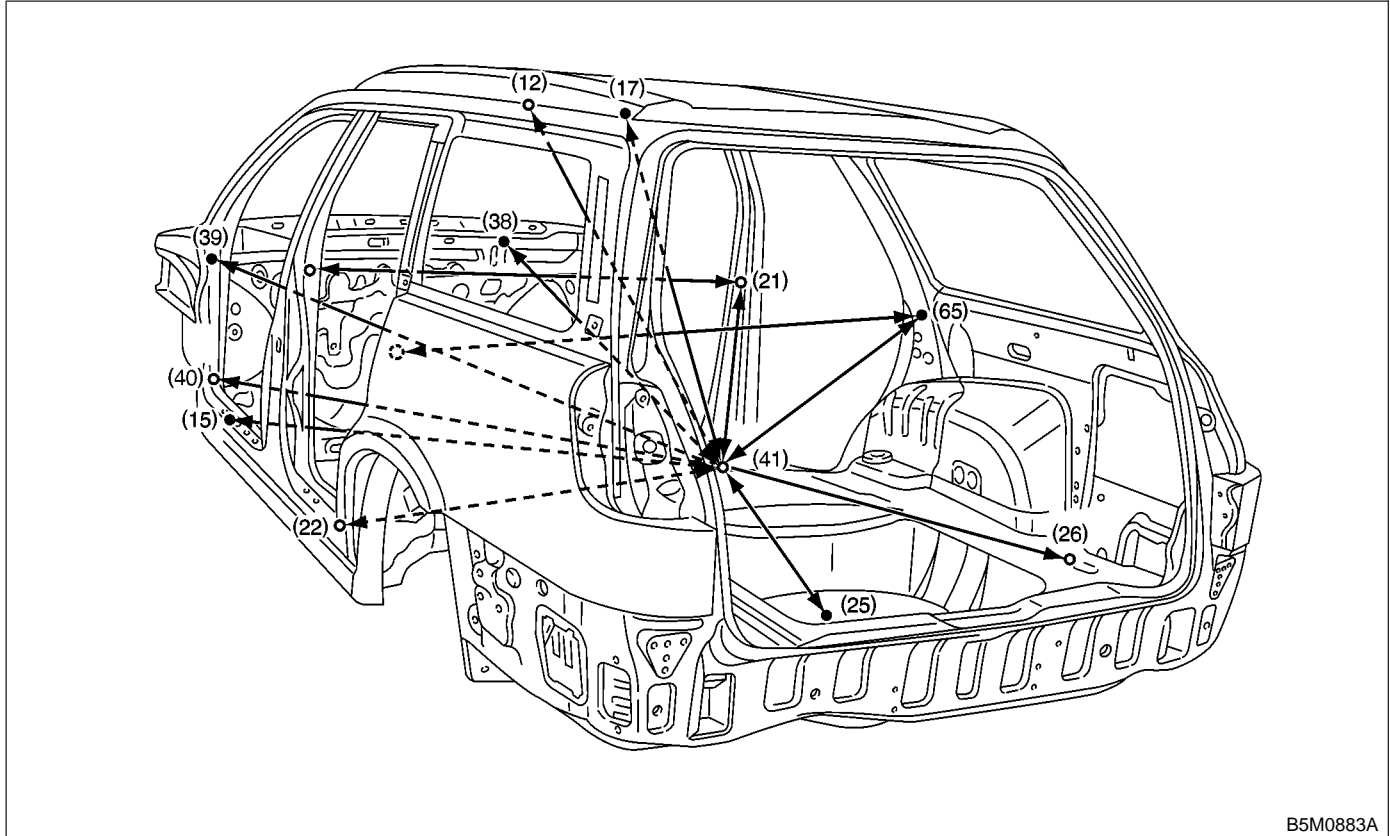
[S3C0] **5-1**

3. Datum Dimensions

Point to point	Dimension	Point to point	Dimension
(14) RH to (18) RH	1,425 (56.10)	(12) to (10) RH	1,136 (44.72)
(14) LH to (18) LH	1,425 (56.10)	(12) to (10) LH	1,136 (44.72)
(13) RH to (64) RH	1,031 (40.59)	(11) to (17) RH	1,130 (44.49)
(13) LH to (64) LH	1,031 (40.59)	(11) to (17) LH	1,130 (44.49)
(16) RH to (64) RH	966 (38.03)	(81) to (82) RH	611 (24.06)
(16) LH to (64) LH	966 (38.03)	(81) to (82) LH	611 (24.06)
(20) RH to (23) RH	864 (34.02)	(81) to (21) RH	1,309 (51.54)
(20) LH to (23) LH	864 (34.02)	(81) to (21) LH	1,309 (51.54)
(20) RH to (24) RH	863 (33.98)	(81) to (23) RH	812 (31.97)
(20) LH to (24) LH	863 (33.98)	(81) to (23) LH	812 (31.97)
(19) RH to (23) RH	899 (35.39)	(82) LH to (21) LH	1,019 (40.12)
(19) LH to (23) LH	899 (35.39)	(82) RH to (21) LH	1,606 (63.23)
(20) RH to (36) RH	1,548 (60.94)	(82) RH to (82) LH	1,140 (44.88)
(20) LH to (36) LH	1,548 (60.94)	(85) LH to (20) LH	1,548 (60.94)
(42) RH to (44) RH	1,037 (40.83)	(85) LH to (64) LH	1,650 (64.96)
(42) LH to (44) LH	1,037 (40.83)	(19) LH to (64) LH	1,029 (40.51)
(11) to (12)	989 (38.94)	(20) LH to (87) LH	911 (35.87)
(67) RH to (67) LH	1,100 (43.31)	(20) LH to (88) LH	842 (33.15)
(11) to (67) RH	1,119 (44.06)	(20) LH to (64) LH	399 (15.71)
(11) to (67) LH	1,119 (44.06)	(23) LH to (89) LH	552 (21.73)
(12) to (67) RH	551 (21.69)	(88) LH to (64) LH	1,192 (46.93)
(12) to (67) LH	551 (21.69)	(89) LH to (64) LH	1,204 (47.40)

Unit: mm (in)

D: COMPARTMENT

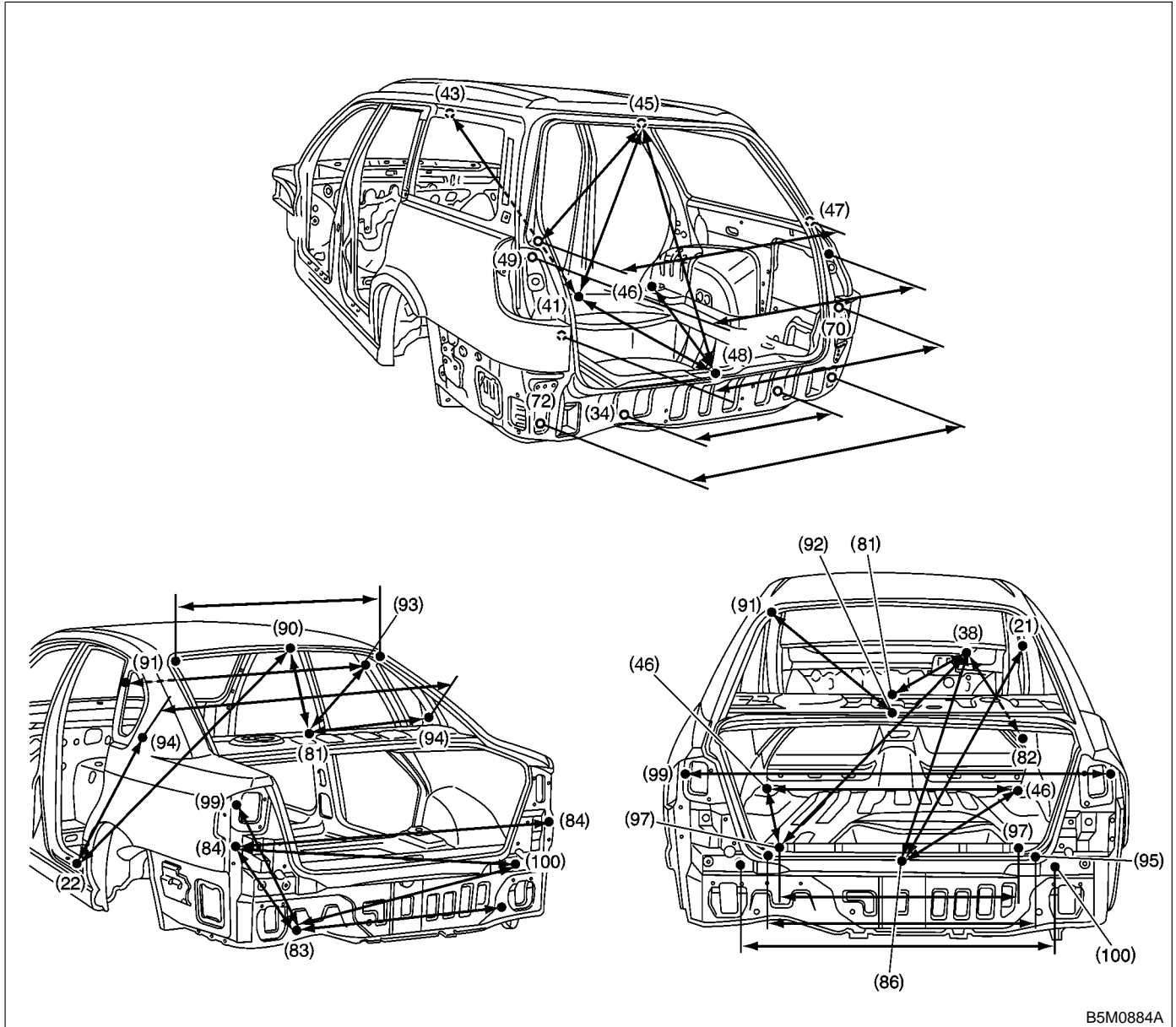


B5M0883A

Point to point	Dimension	Point to point	Dimension
(21) RH to (21) LH	1,351 (53.19)	(41) to (22) LH	738 (29.06)
(15) RH to (15) LH	1,455 (57.28)	(41) to (26) RH	1,459 (57.44)
(22) RH to (22) LH	1,455 (57.28)	(41) to (26) LH	1,459 (57.44)
(39) RH to (39) LH	1,385 (54.53)	(41) to (25)	1,290 (50.79)
(40) RH to (40) LH	1,392 (54.80)	(41) to (12)	1,228 (48.35)
(41) to (38)	1,639 (64.53)	(41) to (21) RH	940 (37.01)
(41) to (39) RH	1,642 (64.65)	(41) to (21) LH	940 (37.01)
(41) to (39) LH	1,642 (64.65)	(41) to (17) RH	1,261 (49.65)
(41) to (40) RH	1,531 (60.28)	(41) to (17) LH	1,261 (49.65)
(41) to (40) LH	1,531 (60.28)	(65) RH to (65) LH	1,307 (51.46)
(41) to (15) RH	1,342 (52.83)	(41) to (65) RH	969 (38.15)
(41) to (15) LH	1,342 (52.83)	(41) to (65) LH	969 (38.15)
(41) to (22) RH	738 (29.06)		Unit: mm (in)

MEMO:

E: TRUNK LID AND REAR GATE



B5M0884A

SPECIFICATIONS AND SERVICE DATA

[S3E0] **5-1**

3. Datum Dimensions

Point to point	Dimension	Point to point	Dimension
(45) to (48)	974 (38.35)	(84) RH to (84) LH	1,410 (55.51)
(45) to (47) RH	797 (31.38)	(100) RH to (84) LH	1,226 (48.27)
(45) to (47) LH	797 (31.38)	(86) to (21) RH	2,073 (81.61)
(47) RH to (47) LH	1,289 (50.75)	(86) to (21) LH	2,086 (82.13)
(49) RH to (49) LH	1,313 (51.69)	(86) to (38)	3,143 (123.74)
(34) RH to (34) LH	700 (27.56)	(86) to (46) RH	1,121 (44.13)
(41) to (45)	1,482 (58.35)	(86) to (46) LH	1,140 (44.88)
(41) to (43) RH	1,206 (47.48)	(86) to (96)	558 (21.97)
(41) to (43) LH	1,199 (47.20)	(90) to (22) RH	1,319 (51.93)
(41) to (48)	1,663 (65.47)	(90) to (22) LH	1,319 (51.93)
(48) to (46) RH	1,191 (46.89)	(22) RH to (94) LH	1,710 (67.32)
(48) to (46) LH	1,191 (46.89)	(22) LH to (94) RH	1,710 (67.32)
(70) RH to (70) LH	1,215 (47.83)	(38) to (97) RH	3,100 (122.05)
(72) RH to (72) LH	1,320 (51.97)	(38) to (97) LH	3,100 (122.05)
(81) to (38)	2,351 (92.56)	(92) to (91) RH	776 (30.55)
(81) to (90)	444 (17.48)	(92) to (91) LH	776 (30.55)
(81) to (93) RH	719 (28.31)	(91) RH to (91) LH	976 (38.43)
(81) to (93) LH	719 (28.31)	(46) LH to (97) LH	1,008 (39.68)
(81) to (94) RH	632 (24.88)	(46) LH to (97) RH	1,374 (54.09)
(81) to (94) LH	632 (24.88)	(46) LH to (46) RH	1,052 (41.42)
(38) to (82) RH	2,178 (85.75)	(93) RH to (93) LH	1,099 (43.27)
(38) to (82) LH	2,419 (95.24)	(94) RH to (94) LH	1,257 (49.49)
(83) RH to (83) LH	930 (36.61)	(95) RH to (95) LH	1,115 (43.90)
(84) RH to (83) LH	1,216 (47.87)	(97) RH to (97) LH	830 (32.68)
(99) RH to (83) LH	1,246 (49.06)	(99) RH to (99) LH	1,370 (53.94)
(100) RH to (83) LH	991 (39.02)	(100) RH to (100) LH	1,020 (40.16)

Unit: mm (in)