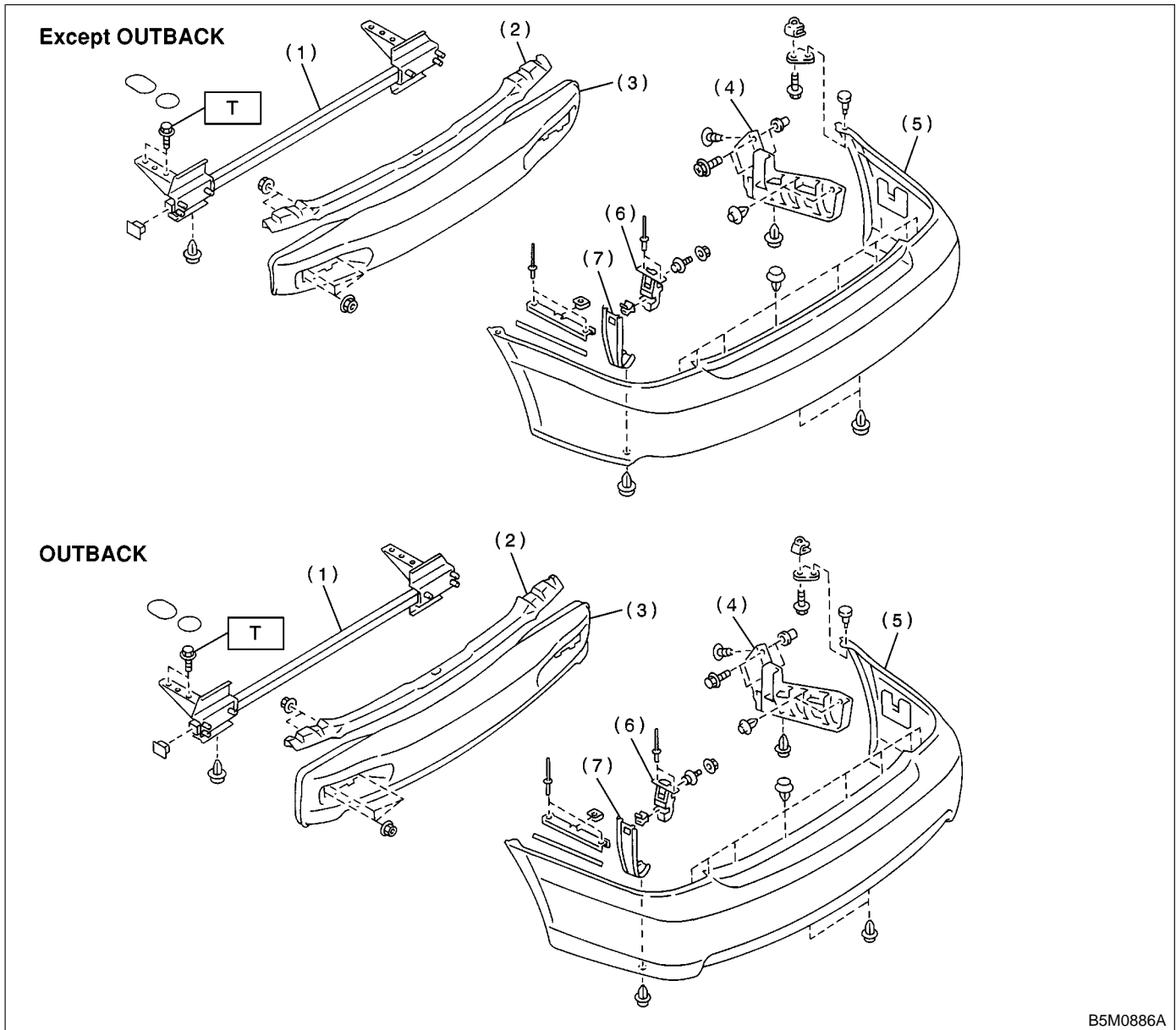


3. Rear Bumper

A: SEDAN BODY

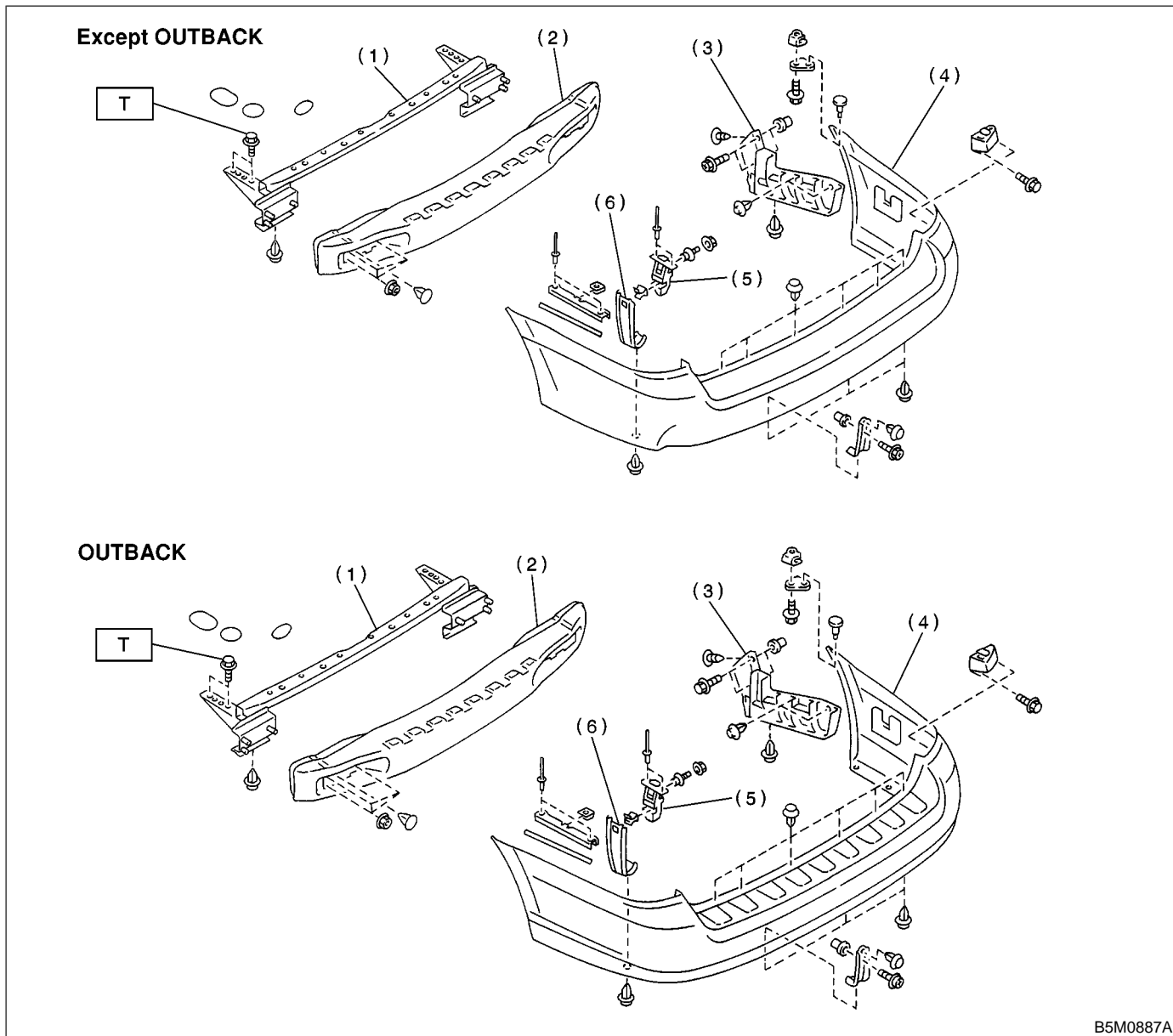


B5M0886A

- | | |
|------------------|-----------------|
| (1) Bumper beam | (5) Bumper face |
| (2) Upper beam | (6) Hook |
| (3) Resin beam | (7) Side stay |
| (4) Side bracket | |

Tightening torque: N·m (kg·m, ft·lb)
T: 93±25 (9.5±2.5, 69±18)

B: WAGON BODY



B5M0887A

- | | |
|------------------|-----------------|
| (1) Bumper beam | (4) Bumper face |
| (2) Resin beam | (5) Hook |
| (3) Side bracket | (6) Side stay |

Tightening torque: N·m (kg·m, ft·lb)
T: 93±25 (9.5±2.5, 69±18)