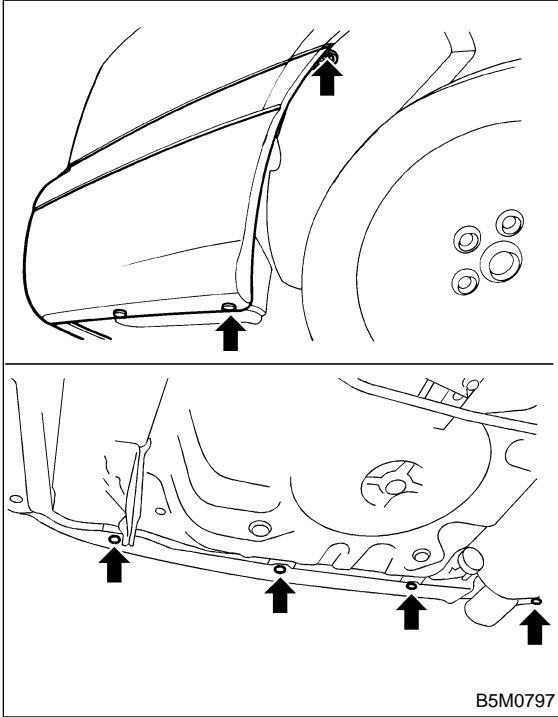


4. Rear Bumper

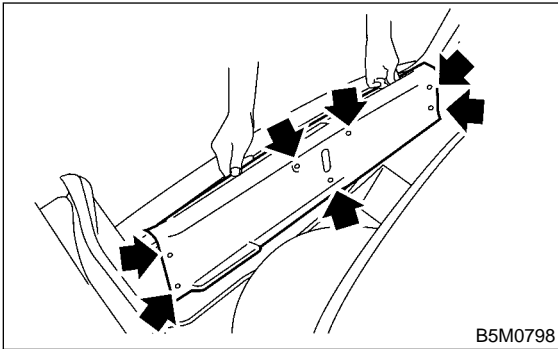
A: REMOVAL AND INSTALLATION

1. SEDAN BODY

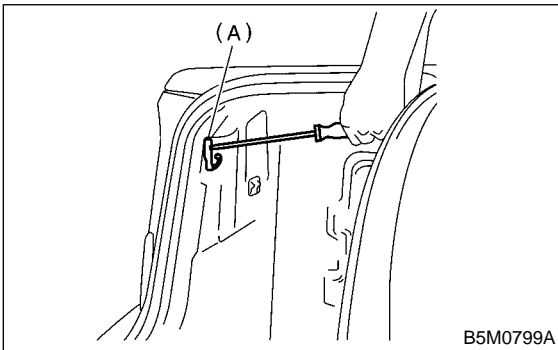
1) Remove bolts and clips.



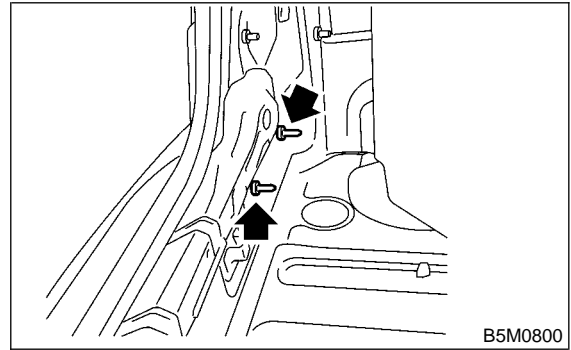
2) Remove clips and then detach trunk rear trim.



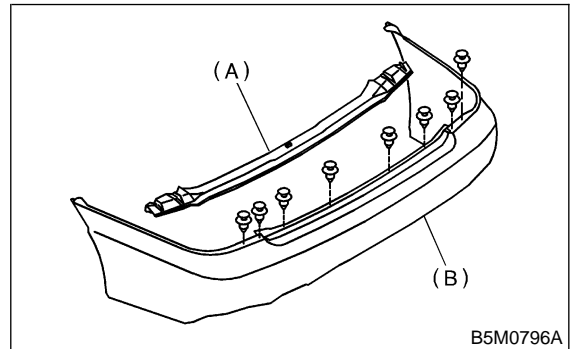
3) Remove hook (A) and then turn over the trunk side trim of the rear portion.



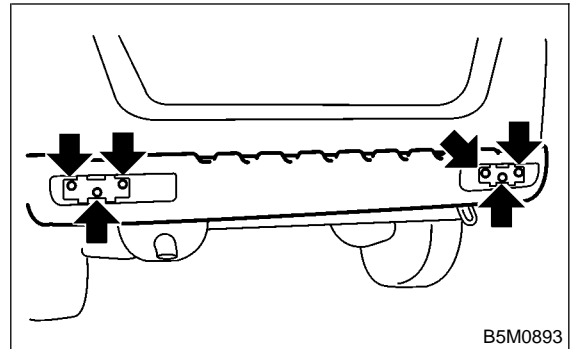
4) Remove two nuts of both sides and then detach bumper assembly.



5) Remove eight clips and then disconnect upper beam (A) from bumper face (B).



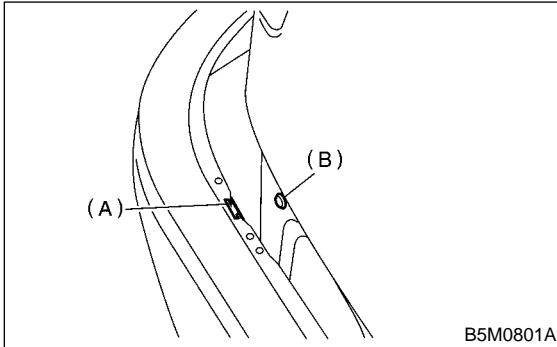
6) Remove resin beam.



7) Installation is in the reverse order of removal.

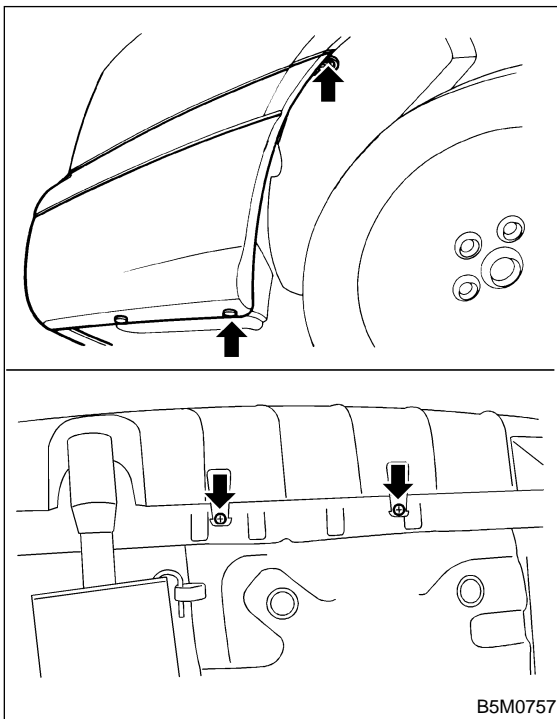
CAUTION:

- Be extremely careful to prevent scratches on bumper face as it is made of resin.
- Be careful not to scratch the body when removing or installing bumper.
- To facilitate installation of rear bumper, attach slider (A) to the guide pin (B).



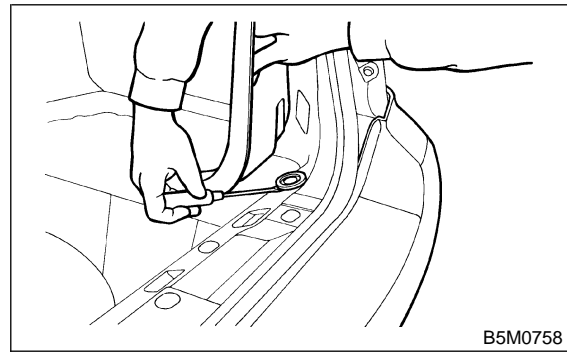
2. WAGON BODY

- 1) Remove trailer hitch. (with trailer hitch vehicles)
<Ref. to 5-1 [W18A0].>
- 2) Remove bolts and clips.

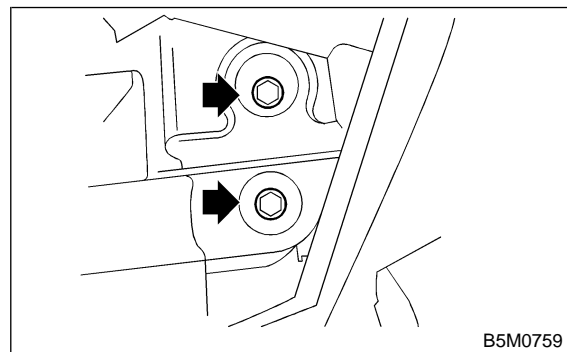


- 3) Remove rear floor box. <Ref. to 5-3 [W5A9].>

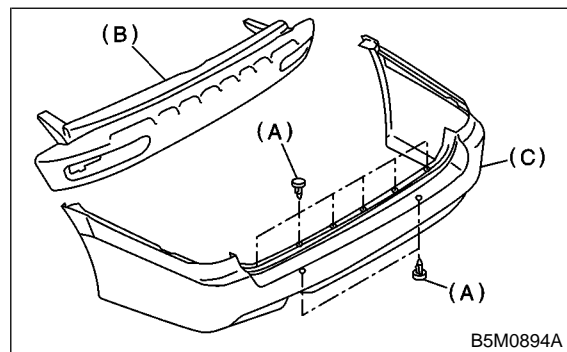
- 4) Turn over the rear quarter lower trim of the rear portion and then remove caps.



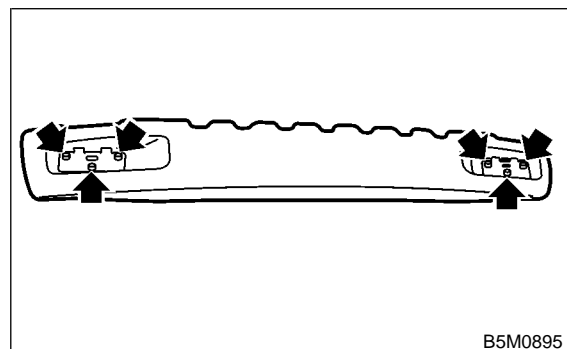
- 5) Remove bolts and then detach bumper assembly.



- 6) Remove clips (A) and then disconnect bumper beam assembly (B) from bumper face (C).



- 7) Disconnect resin beam from bumper beam.



- 8) Installation is in the reverse order of removal.