

7. Side Protector

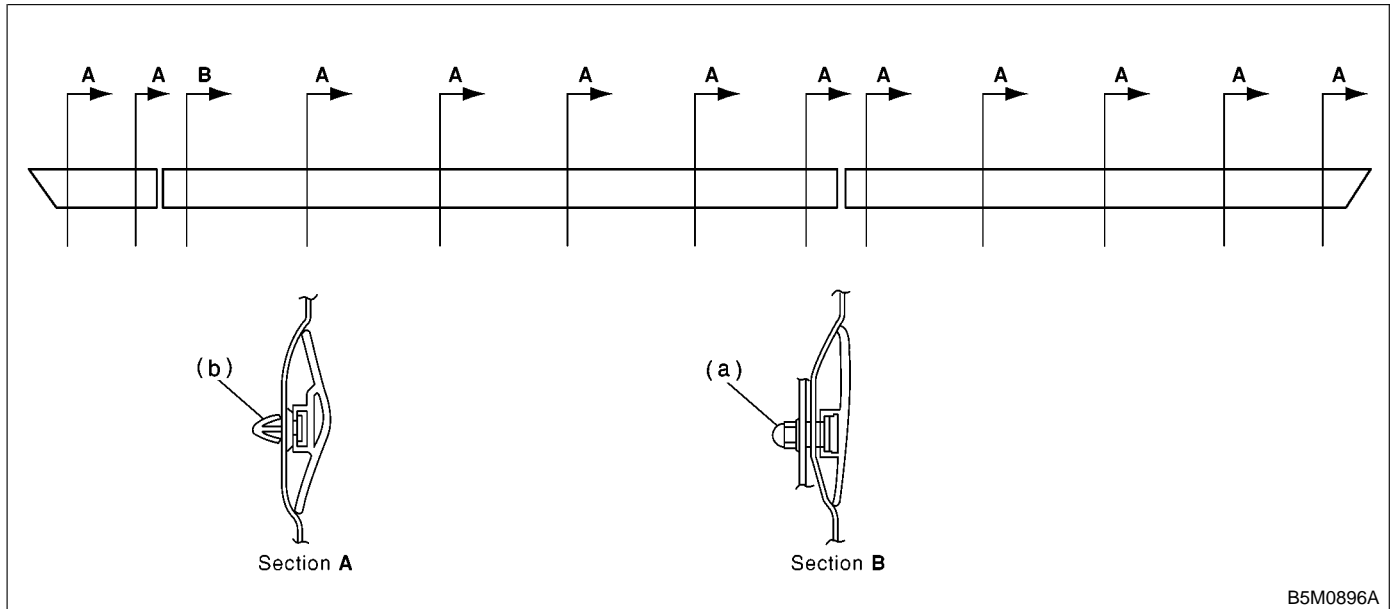
A: REMOVAL AND INSTALLATION

1. DOOR MOLDING

- 1) Open front door, and remove nut (a) from back side of front door molding.
- 2) Carefully remove door molding, paying attention to the location of clip (b).

NOTE:

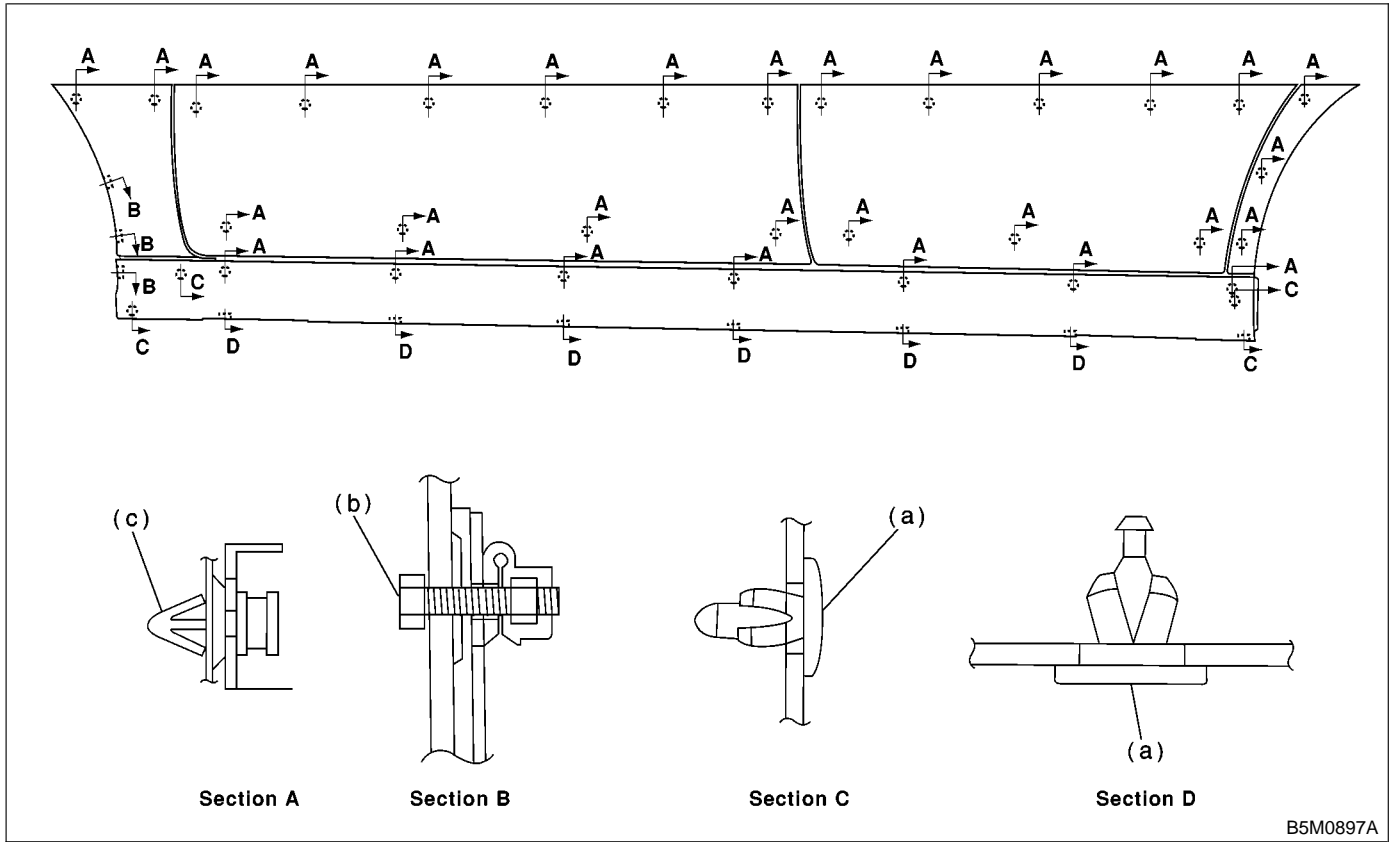
Double faced adhesive tape is affixed to the areas surrounding side protector.



- 3) Installation is in the reverse order of removal.

2. SIDE PROTECTOR

- 1) Remove clip (a) and bolt (b).
- 2) Carefully remove each protectors, paying attention to the location of clip (c).



- 3) Installation is in the reverse order of removal.