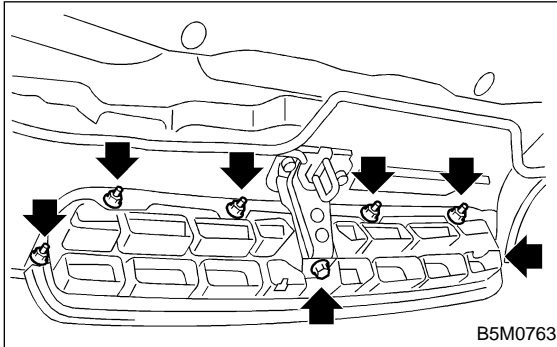


12. Front Grill

A: REMOVAL AND INSTALLATION

- 1) Open front hood.
- 2) Remove six nuts and one bolt then detach front grill.

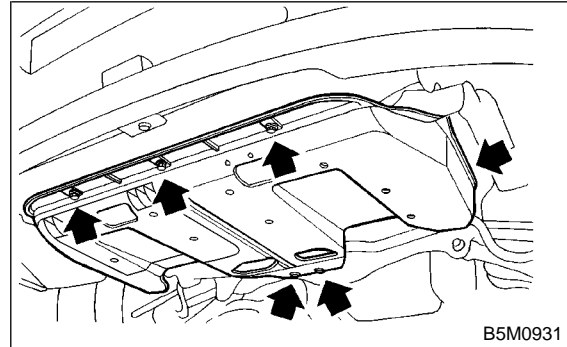


- 3) Installation is in the reverse order of removal.

13. Under Cover

A: REMOVAL AND INSTALLATION

- 1) Lift-up the vehicle.
- 2) Remove bolts and clips then detach under cover.



- 3) Installation is in the reverse order of removal.