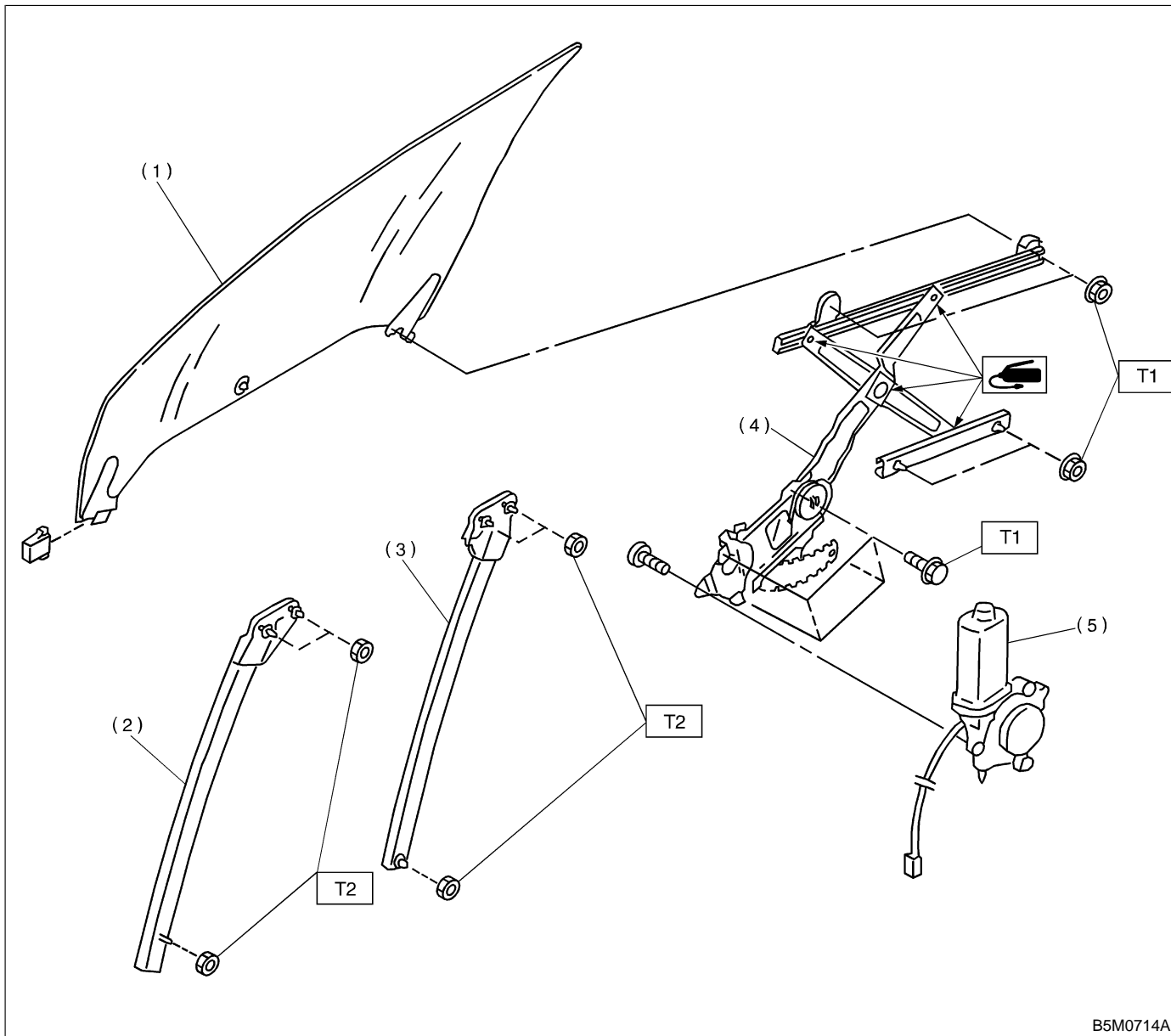


4. Front Door Glass



- (1) Glass
- (2) Door sash (Front)
- (3) Door sash (Rear)
- (4) Regulator ASSY

- (5) Motor ASSY

Tightening torque: N-m (kg-m, ft-lb)
T1: 7.4±2.0 (0.75±0.2, 5.4±1.4)
T2: 14±4 (1.4±0.4, 10.1±2.9)