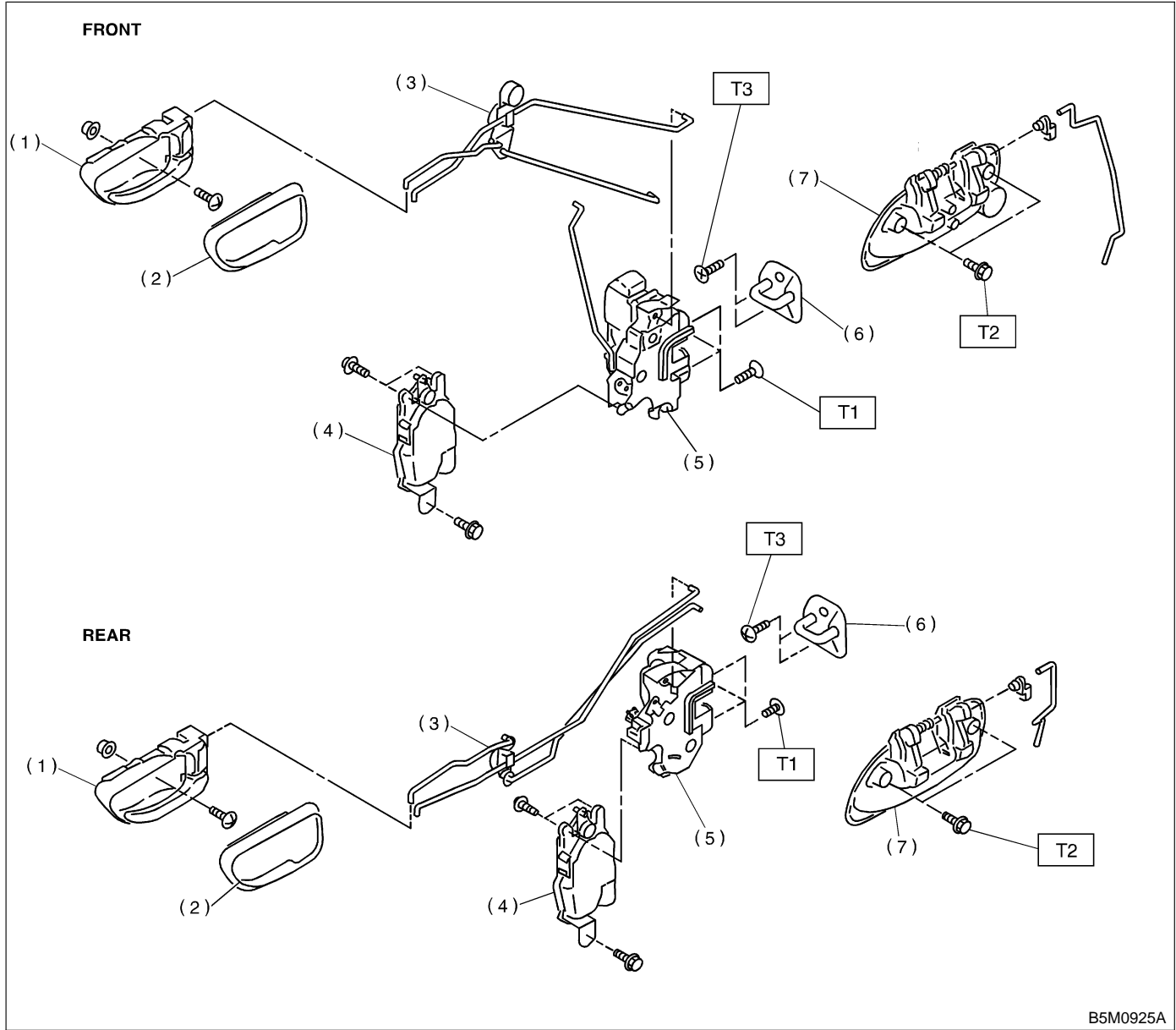


7. Door Lock Assembly



B5M0925A

- | | |
|-----------------------------|-----------------------|
| (1) Inner remote ASSY | (6) Striker |
| (2) Inner remote cover | (7) Door outer handle |
| (3) Bell crank | |
| (4) Auto-door lock actuator | |
| (5) Door latch | |

Tightening torque: N-m (kg-m, ft-lb)

T1: 6.4±2.0 (0.65±0.2, 4.7±1.4)

T2: 7.4±2.0 (0.75±0.2, 5.4±1.4)

T3: 14±4 (1.4±0.4, 10.1±2.9)