

3. Rear Gate

A: REMOVAL AND INSTALLATION

CAUTION:

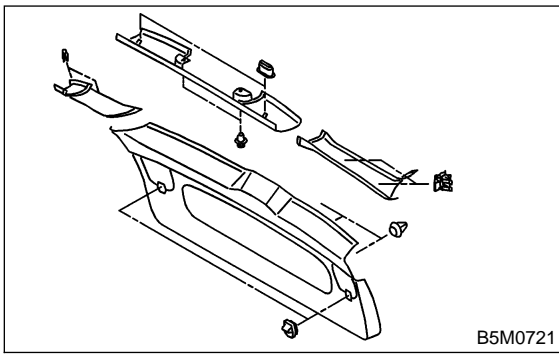
- Be careful not to scratch coated surfaces of vehicle body and window glass during removal. Place a cloth over the affected area.
- Be careful not to damage trim panels.
- Use an assistant when handling heavy parts.
- Be careful not to damage or lose small parts.

1. REAR GATE ASSEMBLY

1) Remove clips from trim panel and detach trim panel.

CAUTION:

Be careful not to damage clips or their holes.

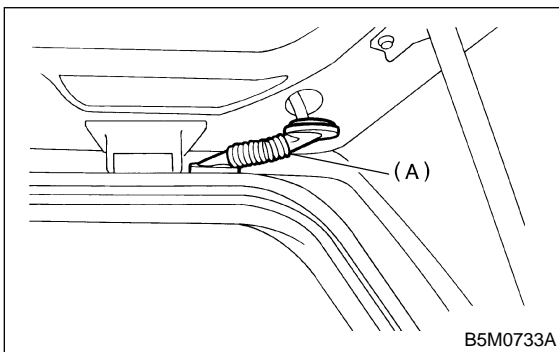


- 2) Disconnect connectors and terminal.
- 3) Disconnect rear washer hose from wiper motor.
- 4) If disconnected harness is re-used, tie connector with a string and place on the upper side of rear gate for ready use.

CAUTION:

Do not forcefully pull cords, lead wires, etc. since damage may result; carefully extract them in a wavy motion while holding connectors.

5) Remove both rubber ducts (A) and then extract washer hose and harness connector.



6) Gas stay:

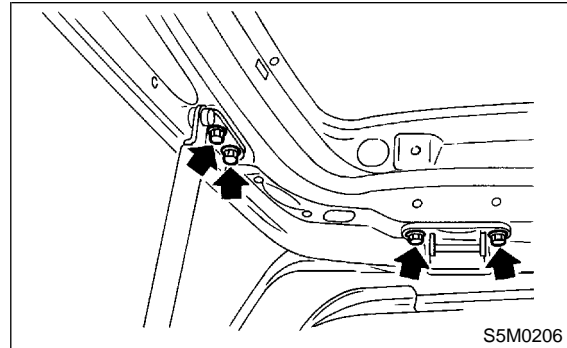
- (1) Completely open rear gate.
- (2) Remove bolts which hold gas stay to rear gate.

CAUTION:

● Be careful because rear gate drops while removing bolts. Have an assistant support it while removing bolts.

● Be sure to place a folded cloth between rear gate and body to prevent scratches.

7) Remove the bolts which hold rear gate to hinge and then detach rear gate.

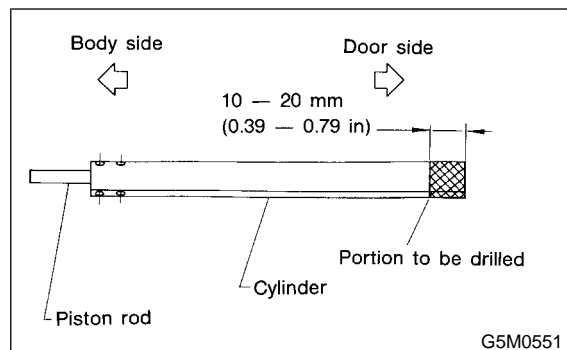


8) General precautions in handling rear gate gas stay are as follows.

CAUTION:

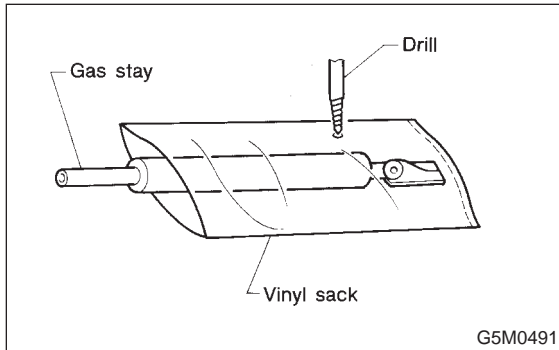
● Do not attempt to disassemble gas stay because its cylinder is filled with gas.

● Before discarding gas stay, place it at a slight angle with the cylinder body side facing up and drill a 2 to 3 mm (0.08 to 0.12 in) dia. hole to completely discharge the content. (Gas is odorless, colorless and harmless; however, metal powder may come out of the hole.)



3. Rear Gate

- It is good practice to place a vinyl sack over it before drilling the hole because oil may spurt out. Be careful to prevent vinyl cover from becoming entangled on the drill.



- Be careful not to scratch the exposed section of piston rod or allow oil or paint to come in contact with it.
- Do not attempt to rotate the extended piston rod.

- Be careful not to mistake RH and LH body side buffers.
- Be sure to add sealer to hinge.
- When installing rear gate, be careful not to damage coating on body and rear gate.

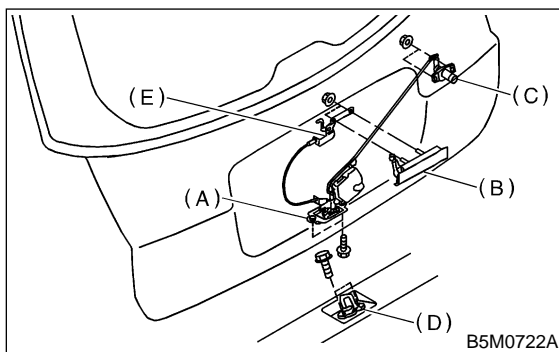
9) Installation is in the reverse order of removal.

CAUTION:

- Be careful not to mistake RH and LH body side buffers.
- Be sure to add sealer to hinge.
- When installing rear gate, be careful not to damage coating on body and rear gate.

2. LATCH

- 1) Remove trim panel.
- 2) Disengage rod from holder (= key cylinder).
- 3) Disengage cable from outer handle bracket (E).
- 4) Remove bolts from auto-door lock actuator.
- 5) Remove bolts from latch (A), and detach latch.



- 6) Disconnect rear gate switch connector.
- 7) Disconnect auto-door lock actuator connector.
- 8) Detach latch.
- 9) Installation is in the reverse order of removal.

CAUTION:

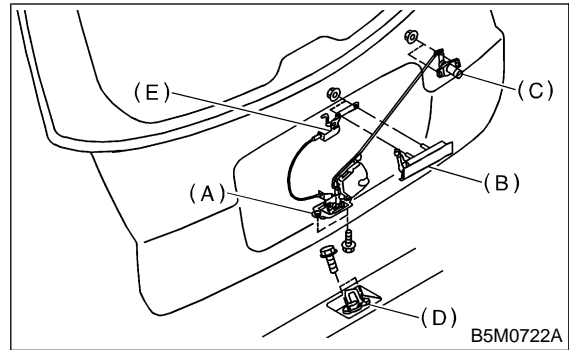
Firmly join latch with key cylinder, and outer handle.

3. OUTER HANDLE

- 1) Remove trim panel.
- 2) Disengage cable from outer handle bracket (E).
- 3) Remove two nuts used to hold outer handle (B) to the inside of rear gate, and detach outer handle.

CAUTION:

Be careful not to damage packing when removing outer handle.



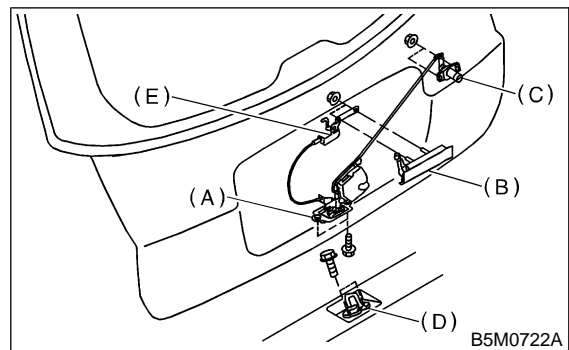
- 4) Installation is in the reverse order of removal.

CAUTION:

Completely insert latch pin into handle lever.

4. KEY CYLINDER

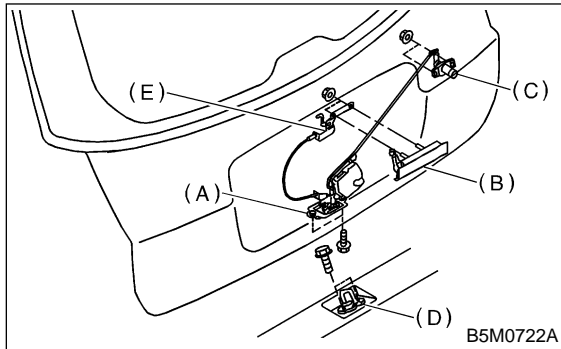
- 1) Remove trim panel.
- 2) Disengage rod from holder.
- 3) Remove nuts from key cylinder (C), and detach key cylinder from inside.



- 4) Installation is in the reverse order of removal.

5. STRIKER

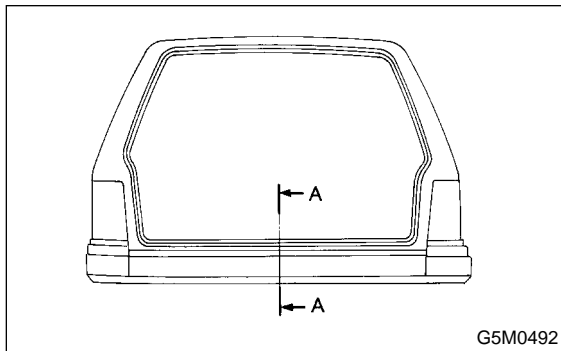
- 1) Remove rear skirt trim.
- 2) Remove two bolts from striker (D) and detach striker.



- 3) Installation is in the reverse order of removal.

6. WEATHERSTRIP

- 1) Place weatherstrip so that its joints meet at lower center of vehicle body, and install by inserting flanged portion from below, as shown in section A—A in figure.



- 2) Tap along entire length with a rubber hammer to firmly insert body flange into weatherstrip.

CAUTION:

- Be careful not to install in wrong direction.
- Install weatherstrip carefully and firmly.

