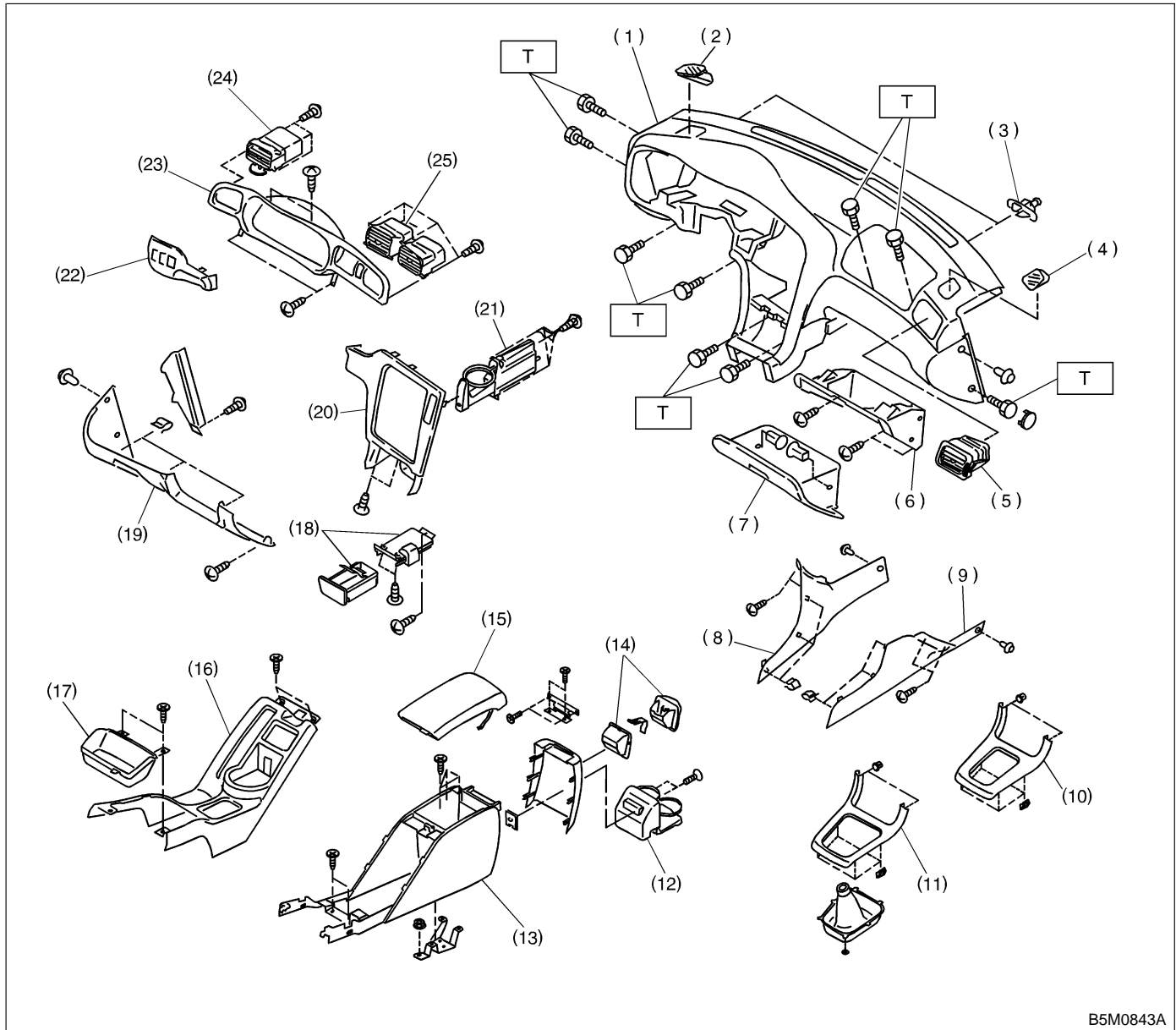


1. Instrument Panel



B5M0843A

- | | | |
|---------------------------|-----------------------|-----------------------|
| (1) Pad & frame | (11) Front cover (MT) | (21) Front cup holder |
| (2) Grille side (D) | (12) Rear cup holder | (22) Switch panel |
| (3) Hook | (13) Console box | (23) Meter visor |
| (4) Grille side (P) | (14) Rear ash tray | (24) Grille vent (D) |
| (5) Grille vent (P) | (15) Console lid | (25) Grille center |
| (6) Glove box panel | (16) Console cover | |
| (7) Glove box lid | (17) Tray | |
| (8) Center panel side (D) | (18) Ash tray | |
| (9) Center panel side (P) | (19) Lower cover | |
| (10) Front cover (AT) | (20) Center panel | |

Tightening torque: N·m (kg·m, ft·lb)
T: 7±1 (0.7±0.1, 5.1±0.7)