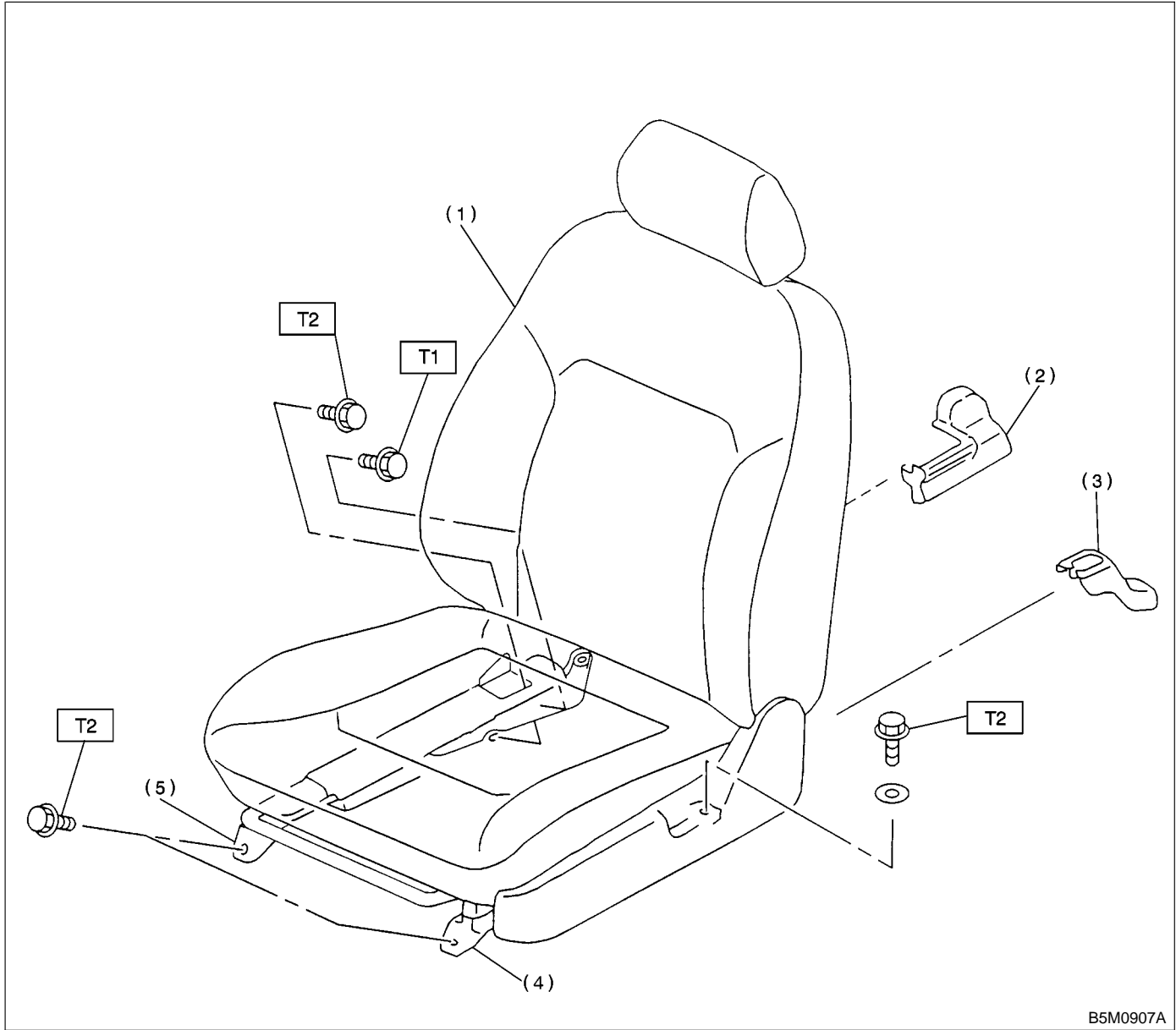


1. Front Seat



- (1) Front seat ASSY
- (2) Rail cover IN
- (3) Rail cover OUT
- (4) Slide rail OUT

- (5) Slide rail IN

Tightening torque: N-m (kg-m, ft-lb)
T1: 29^{+20}_{-7} ($3.0^{+2.0}_{-0.7}$, $21.7^{+14.5}_{-5.1}$)
T2: 52 ± 10 (5.3 ± 1.0 , 38 ± 7)