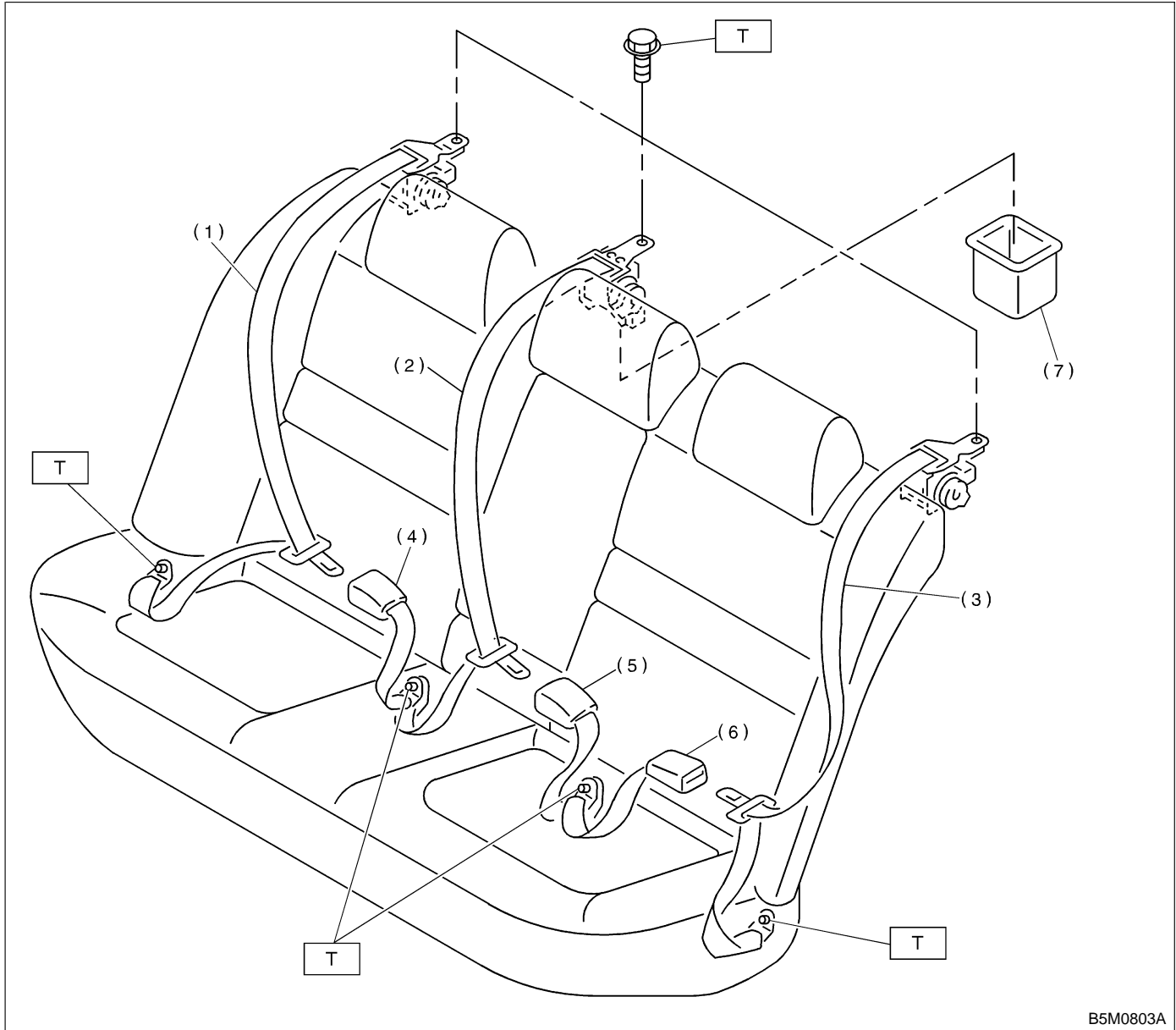


4. Rear Seat Belt

A: SEDAN BODY

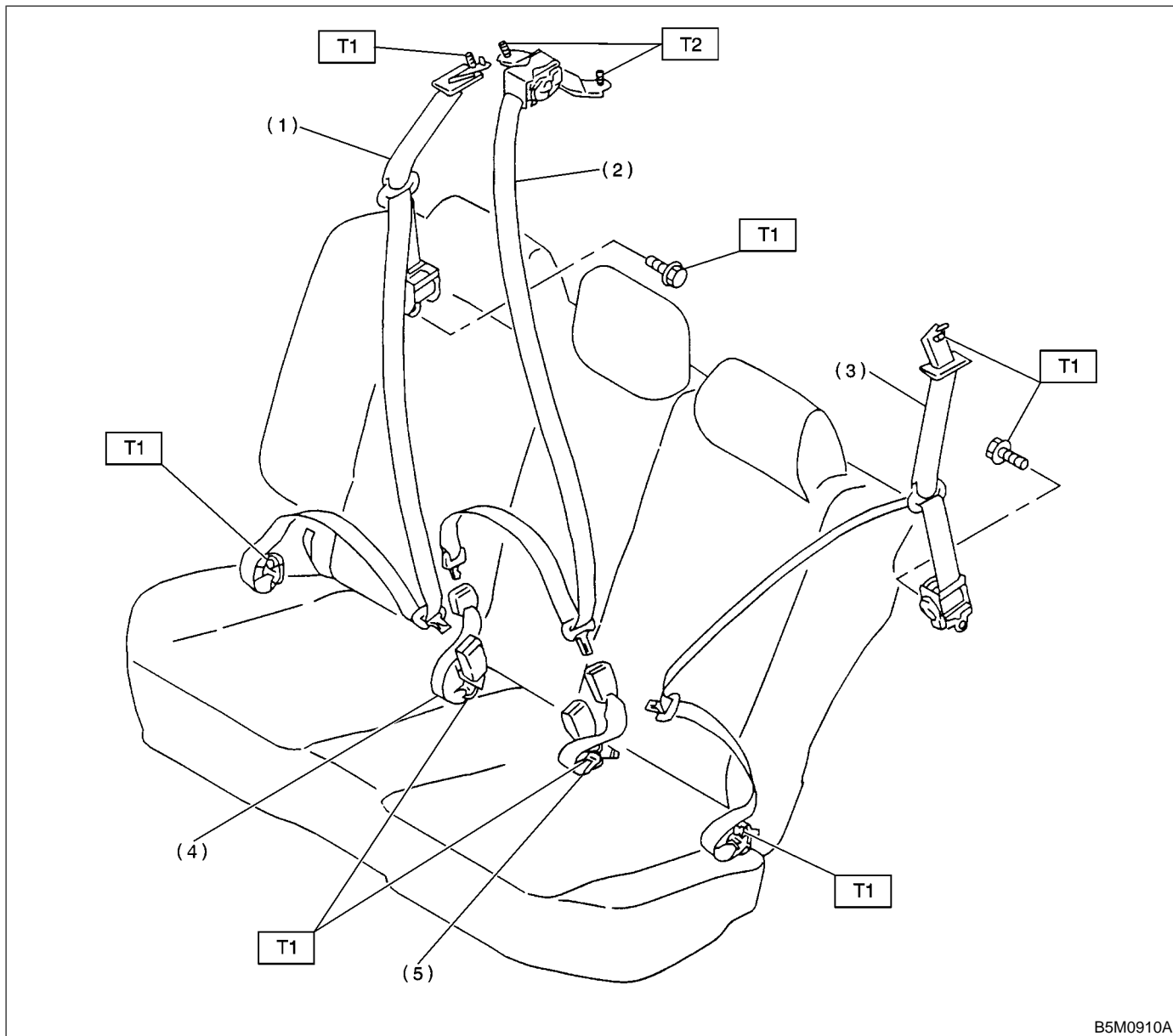


- (1) Outer seat belt RH
- (2) Outer seat belt CENTER
- (3) Outer seat belt LH
- (4) Inner seat belt RH

- (5) Inner seat belt CENTER
- (6) Inner seat belt LH
- (7) Case center ELR

Tightening torque: N·m (kg·m, ft·lb)
T: 29^{+2.0}/₋₇ (3.0^{+2.0}/_{-0.7}) 21.7^{+14.5}/_{-5.1})

B: WAGON BODY



- (1) Outer seat belt RH
- (2) Outer seat belt CENTER
- (3) Outer seat belt LH
- (4) Inner seat belt RH

- (5) Inner seat belt LH

Tightening torque: N·m (kg·m, ft·lb)
T1: $29^{+2.0}_{-1.7}$ ($3.0^{+2.0}_{-0.7}$, $21.7^{+14.5}_{-5.1}$)
T2: 52 ± 10 (5.3 ± 1.0 , 38.3 ± 7.2)