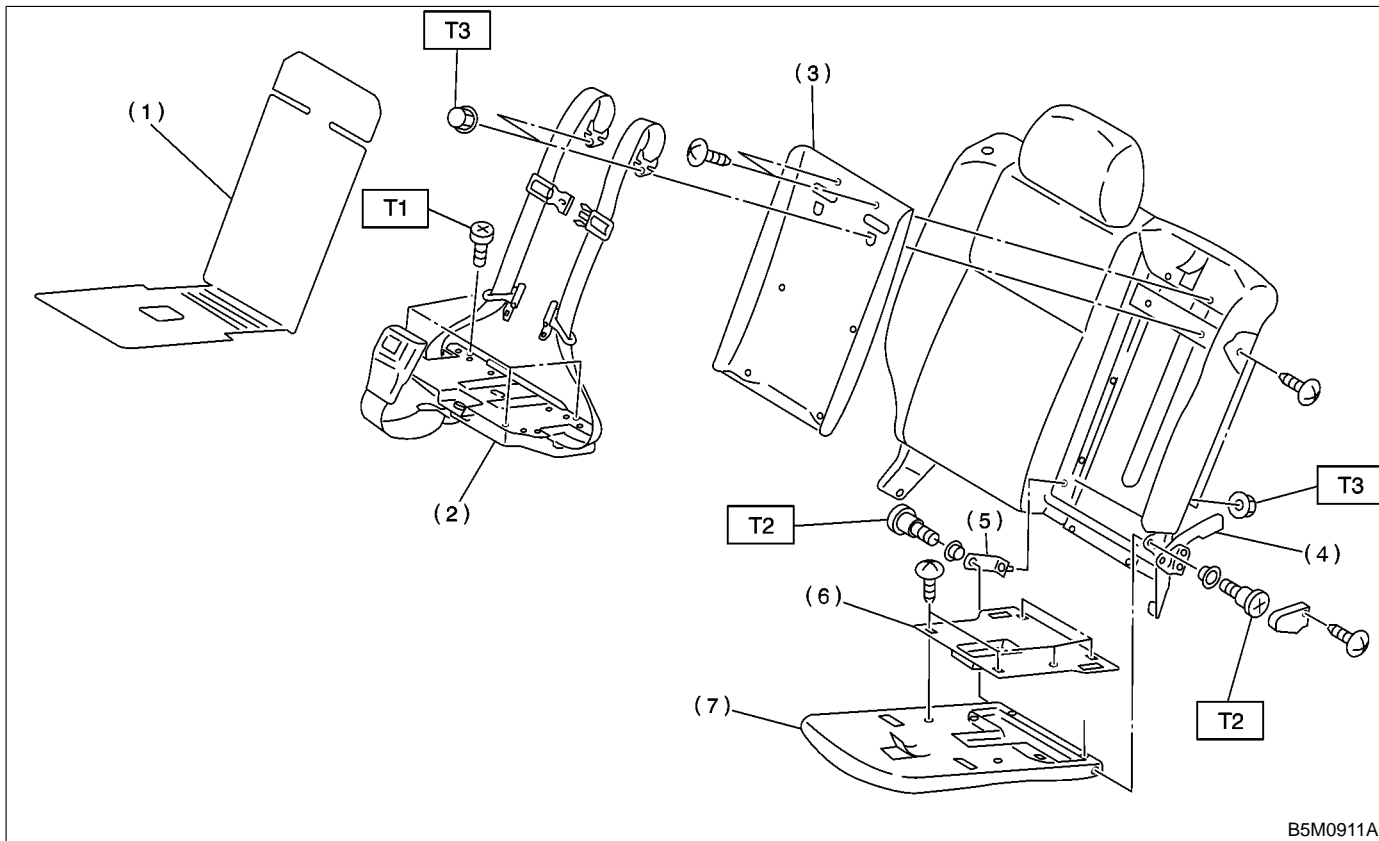


7. Built-in Child Restraint



- (1) Mat
- (2) Retractor ASSY
- (3) Back panel
- (4) Hinge LH
- (5) Hinge RH

- (6) Cushion board
- (7) Cushion pad ASSY

Tightening torque: N·m (kg·m, ft·lb)
T1: 6.9±1.5 (0.7±0.15, 5.1±1.1)
T2: 10⁺¹⁰/₀ (1.0⁺¹/₀, 7.2^{+7.2}/₀)
T3: 18⁺¹⁰/₀ (1.8⁺¹/₀, 13.0^{+7.2}/₀)