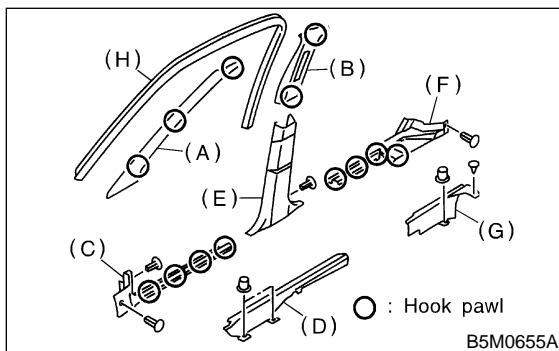


## 5. Inner Trim Panel

### A: REMOVAL AND INSTALLATION

#### 1. FRONT SECTION (SEDAN BODY)

- 1) Removal order of trim panel is as follows:
  - (1) Remove front mole (H).
  - (2) Remove front pillar upper trim (A).
  - (3) Remove front pillar lower trim (C).
  - (4) Remove side sill front lower cover (D).
  - (5) Remove rear seat cushion <Ref. to 5-3 [W2A1].>, then remove side sill rear upper cover (F).
  - (6) Remove side sill rear lower cover (G).
  - (7) Remove center pillar lower trim (E).
  - (8) Detach front seat belt shoulder anchor <Ref. to 5-3 [W3A3].>, then remove center pillar upper trim (B).



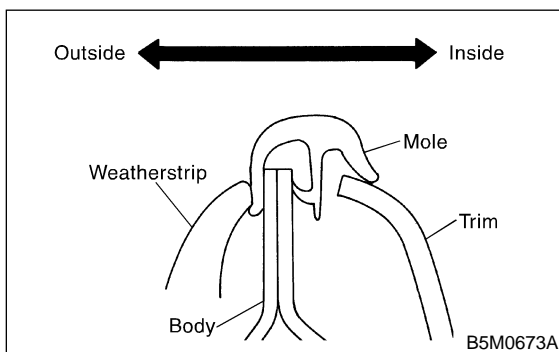
- 2) Installation is in the reverse order of removal.

**CAUTION:**

**Be sure to securely hook pawls of inner trim panel on body flange.**

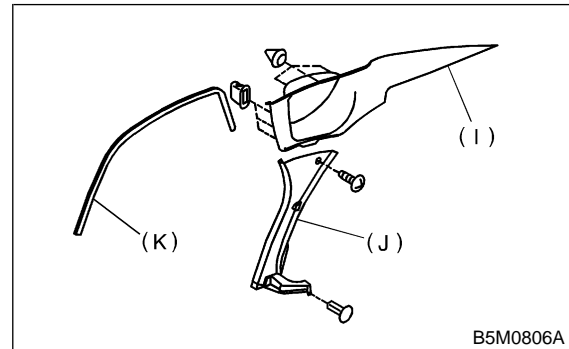
**NOTE:**

When installing center pillar upper trim and front pillar upper trim, be sure to set front mole as shown in figure.



#### 2. REAR SECTION (SEDAN BODY)

- 1) Removal order of trim panel is as follows:
  - (1) Remove rear mole (K).
  - (2) Remove rear shelf trim. <Ref. to 5-3 [W5A0].>
  - (3) Remove side sill rear upper cover (F). <Ref. to 5-3 [W5A6].>
  - (4) Remove rear pillar lower trim (J).
  - (5) Remove rear pillar upper trim (I).



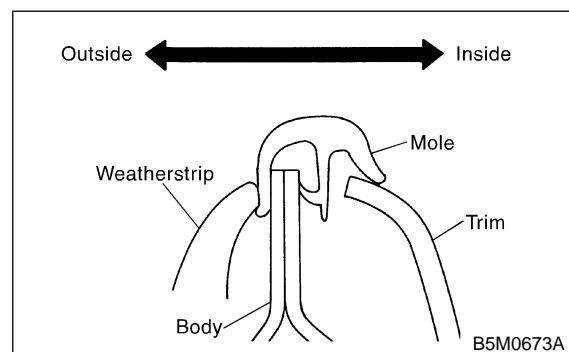
- 2) Installation is in the reverse order of removal.

**CAUTION:**

**Be sure to securely hook pawls of inner trim panel on body flange.**

**NOTE:**

When installing rear quarter upper trim, be sure to set rear mole as shown in figure.



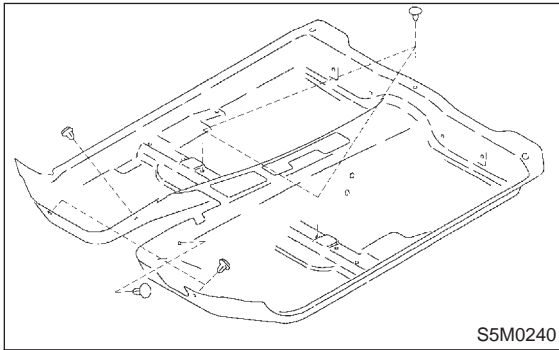
### 3. FLOOR SECTION (SEDAN BODY)

- 1) Removal order of floor mat is as follows:
  - (1) Remove front seats.
  - (2) Remove rear seat cushion.
  - (3) Remove console box, depending on the specifications.
  - (4) Remove front pillar lower trim panel.
  - (5) Remove center pillar lower trim panel.
  - (6) Remove side sill rear upper cover.
  - (7) Remove clips from floor mat.

**NOTE:**

When pulling out edge, do not pull mat alone; pull mat together with edge. Pry off two steel clips on side sill front cover and one on side sill rear cover using screwdriver.

- (8) Remove mat hook.
- (9) Remove mat from toe board area.
- (10) Remove mat from rear heater duct.
- (11) Roll mat, then take it out of opened rear door.



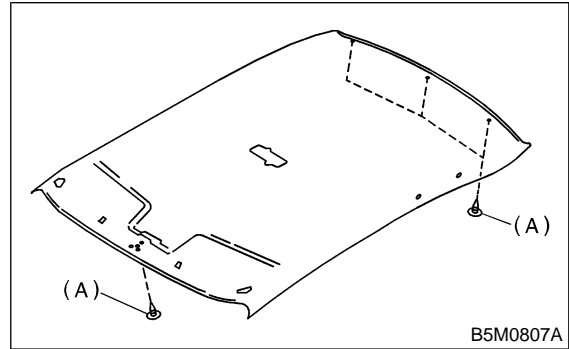
- (12) Installation is in the reverse order of removal.

**NOTE:**

- Secure mat firmly with hook and velcro tape.
- Insert mat edge firmly into the groove of side sill cover.

### 4. ROOF TRIM (SEDAN BODY)

- 1) Remove sunvisor while disconnecting connector and assist rail.
- 2) Remove front pillar upper trim, center pillar upper trim and rear pillar upper trim.
- 3) Remove sunroof garnish. (with sunroof vehicle)
- 4) Using ST, remove clips (A).  
ST 925580000 PULLER



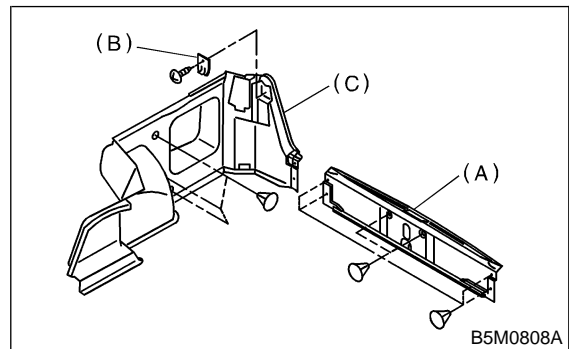
- 5) Installation is in the reverse order of removal.

**CAUTION:**

When removing clip, use great care to prevent damaging the roof trim.

### 5. TRUNK TRIM (SEDAN BODY)

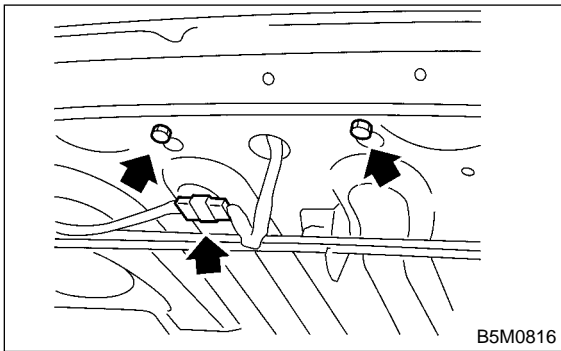
- 1) Remove clips, then detach trunk rear trim (A).
- 2) Remove luggage hook (B) and clips, then detach trunk side trim (C).



- 3) Installation is in the reverse order of removal.

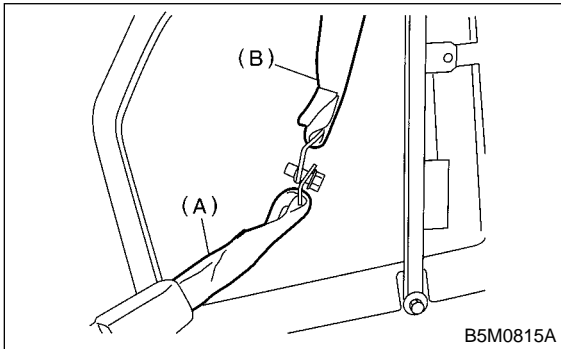
6. REAR SHELF TRIM (SEDAN BODY)

1) Remove high-mounted stoplight.

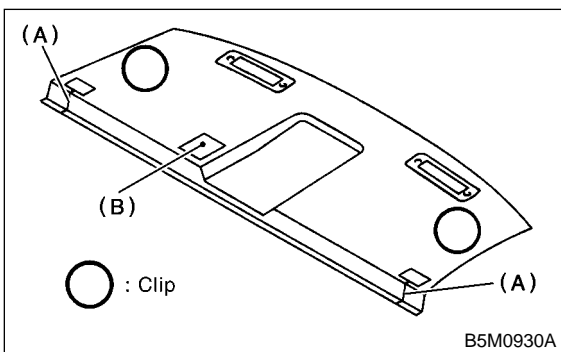


2) Remove rear seat backrest. <Ref. to 5-3 [W2A1].>

3) Remove inner seat belt RH, then disconnect inner seat belt RH (A) and outer belt center (B).



4) Detach rear shelf trim through each rear outer seat belt from slits (A) and hole (B) of rear shelf trim.

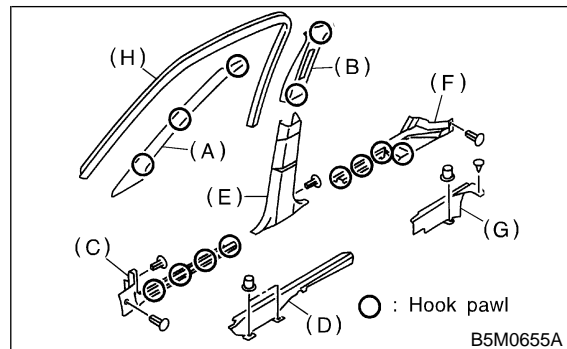


5) Installation is in the reverse order of removal.

7. FRONT SECTION (WAGON BODY)

1) Removal order of trim panel is as follows:

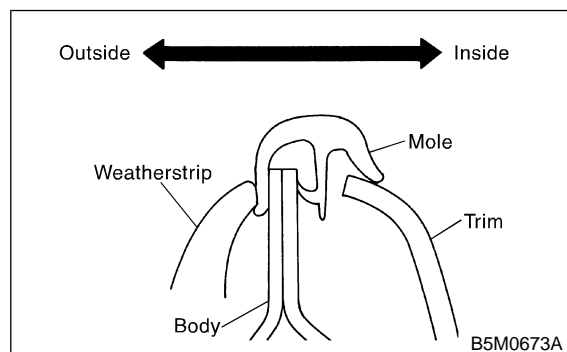
- (1) Remove front mole (H).
- (2) Remove front pillar upper trim (A).
- (3) Remove front pillar lower trim (C).
- (4) Remove side sill front lower cover (D).
- (5) Raise the rear seat cushion, then remove side sill rear upper cover (F).
- (6) Remove side sill rear lower cover (G).
- (7) Remove center pillar lower trim (E).
- (8) Detach front seat belt shoulder anchor <Ref. to 5-3 [W3A3].>, then remove center pillar upper trim (B).



2) Installation is in the reverse order of removal.

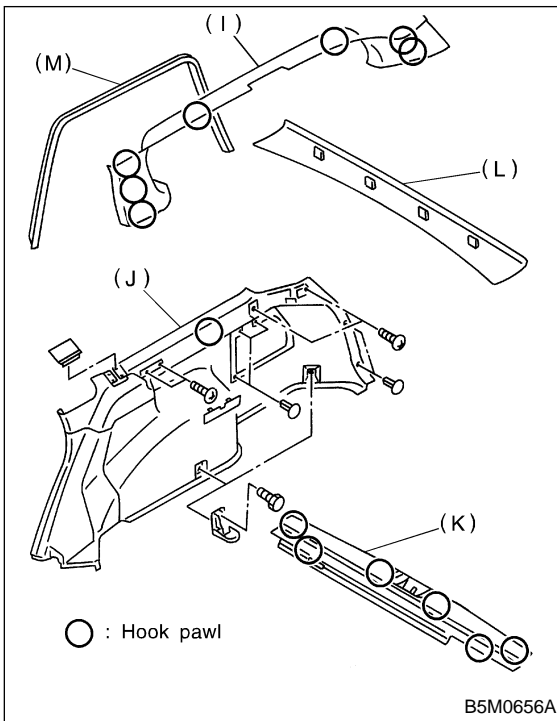
**CAUTION:**  
Be sure to securely hook pawls of inner trim panel on body flange.

**NOTE:**  
When installing center pillar upper trim and front pillar upper trim, be sure to set front mole as shown in figure.



8. REAR SECTION (WAGON BODY)

- 1) Removal order of trim panel is as follows:
  - (1) Remove rear mole (M).
  - (2) Remove rear rail trim (L).
  - (3) Remove rear seat belt shoulder anchor <Ref. to 5-3 [W4A4].>, then remove rear quarter upper trim (I).
  - (4) Remove side sill rear upper cover (F). <Ref. to 5-3 [W5A7].>
  - (5) Remove rear skirt trim (K).
  - (6) Remove rear floor box <Ref. to 5-3 [W5A9].>, then remove rear quarter lower trim (J).



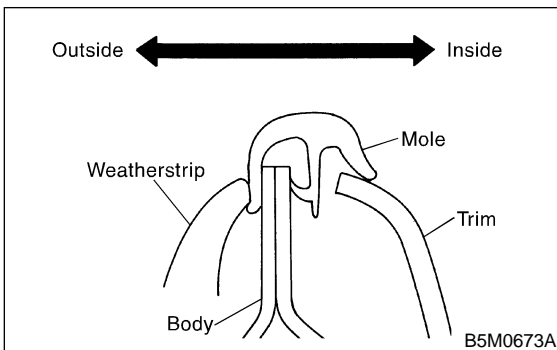
- 2) Installation is in the reverse order of removal.

**CAUTION:**

**Be sure to securely hook pawls of inner trim panel on body flange.**

**NOTE:**

When installing rear quarter upper trim, be sure to set rear mole as shown in figure.



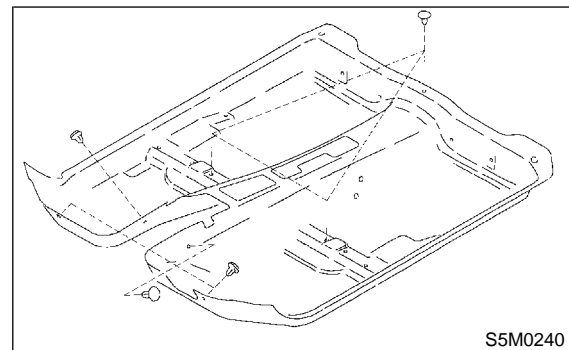
9. FLOOR SECTION (WAGON BODY)

- 1) Removal order of floor mat is as follows:
  - (1) Remove front seats.
  - (2) Remove rear seat cushion.
  - (3) Remove console box, depending on the specifications.
  - (4) Remove front pillar lower trim panel.
  - (5) Remove center pillar lower trim panel.
  - (6) Remove side sill rear upper cover.
  - (7) Remove clips from floor mat.

**NOTE:**

When pulling out edge, do not pull mat alone; pull mat together with edge. Pry off two steel clips on side sill front cover and one on side sill rear cover using screwdriver.

- (8) Remove mat hook.
- (9) Remove mat from toe board area.
- (10) Remove mat from rear heater duct.
- (11) Roll mat, then take it out of opened rear door.

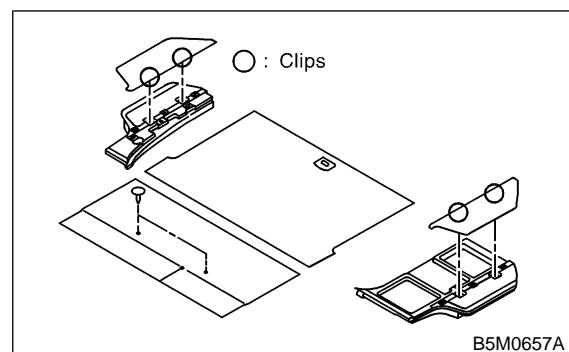


- (12) Installation is in the reverse order of removal.

**NOTE:**

- Secure mat firmly with hook and velcro tape.
- Insert mat edge firmly into the groove of side sill cover.

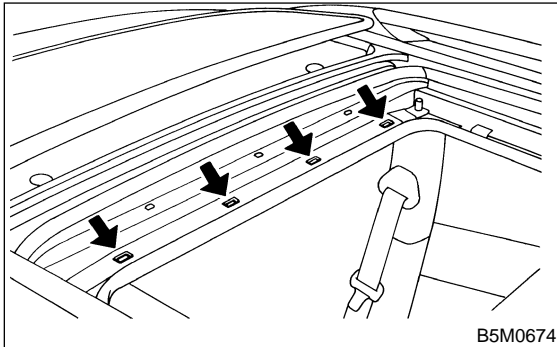
- 2) Removal order of rear floor box is as follows:
  - (1) Remove clips, then detach rear floor boxes.



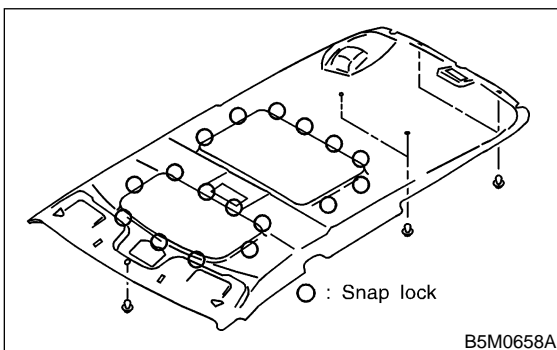
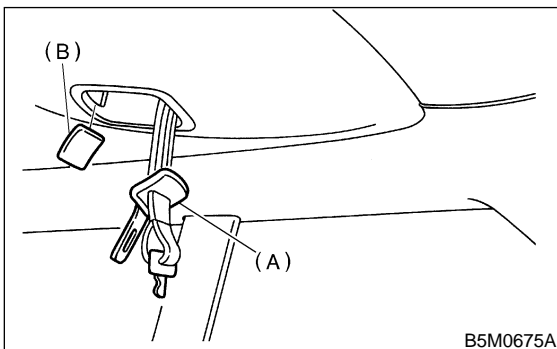
- (2) Installation is in the reverse order of removal.

## 10. ROOF TRIM (WAGON BODY)

- 1) Remove sunvisor and assist rail.
- 2) Remove front pillar upper trim, center pillar upper trim, rear quarter upper trim and rear rail trim.
- 3) Open the rear sunroof, then remove four clips. (Sunroof equipped model)



- 4) Using ST, remove clips.  
ST 925580000 PULLER
- 5) Remove cover (B) while detaching snap lock carefully. Pass outer belt center tongue (A) through hole on roof trim, then remove roof trim.



- 6) Installation is in the reverse order of removal.

### CAUTION:

When removing clip, use great care to prevent damaging the roof trim.

### NOTE:

- When installing roof trim, pass the outer belt center tongue through hole on roof trim.
- After installing roof trim, push snap lock to set roof trim in position.