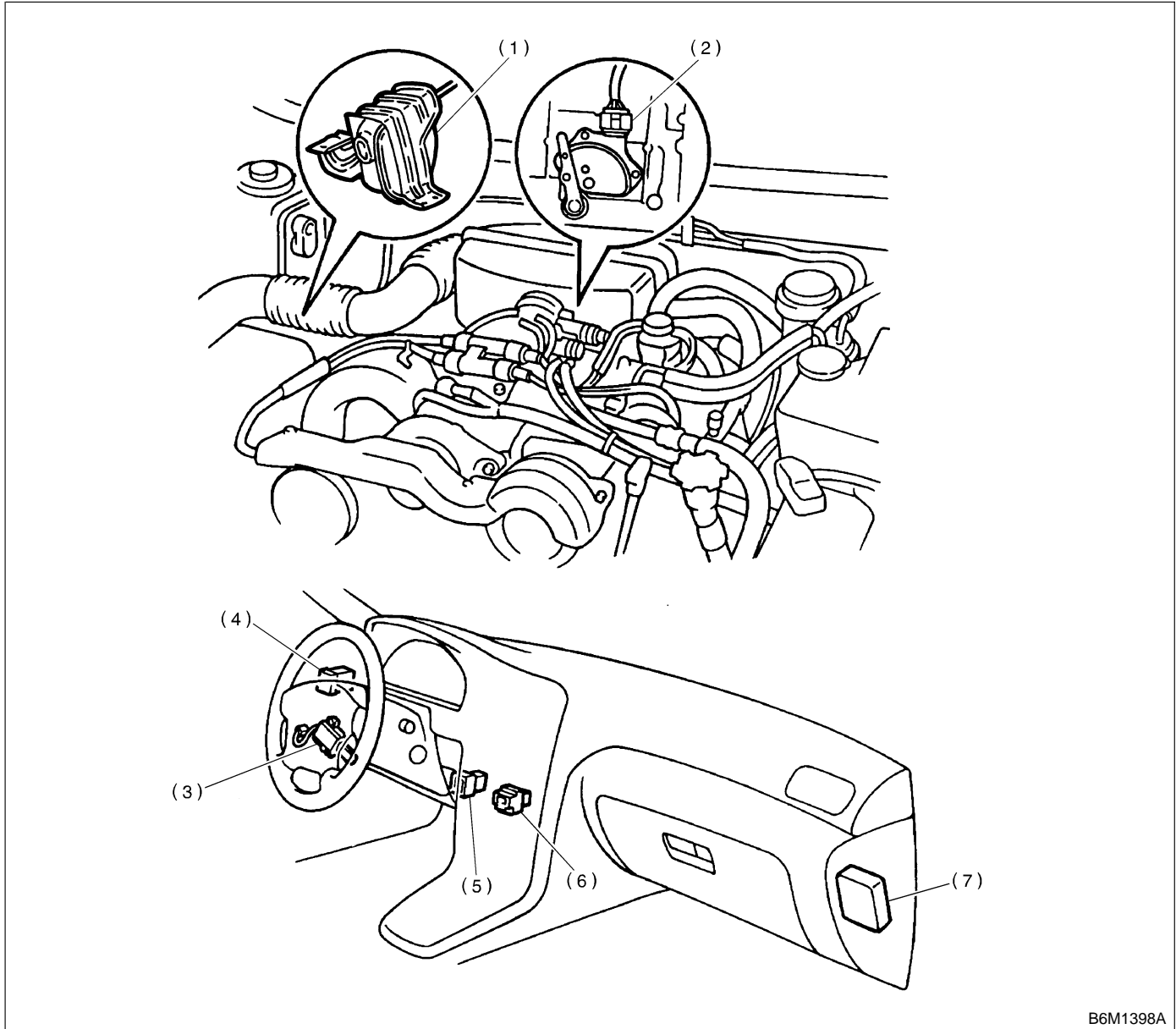


3. Electrical Components Location



B6M1398A

- (1) Cruise control actuator
- (2) Inhibitor switch (AT)
- (3) Command switch

- (4) Main switch
- (5) Clutch switch (MT)
- (6) Stop and brake switch

- (7) Cruise control module