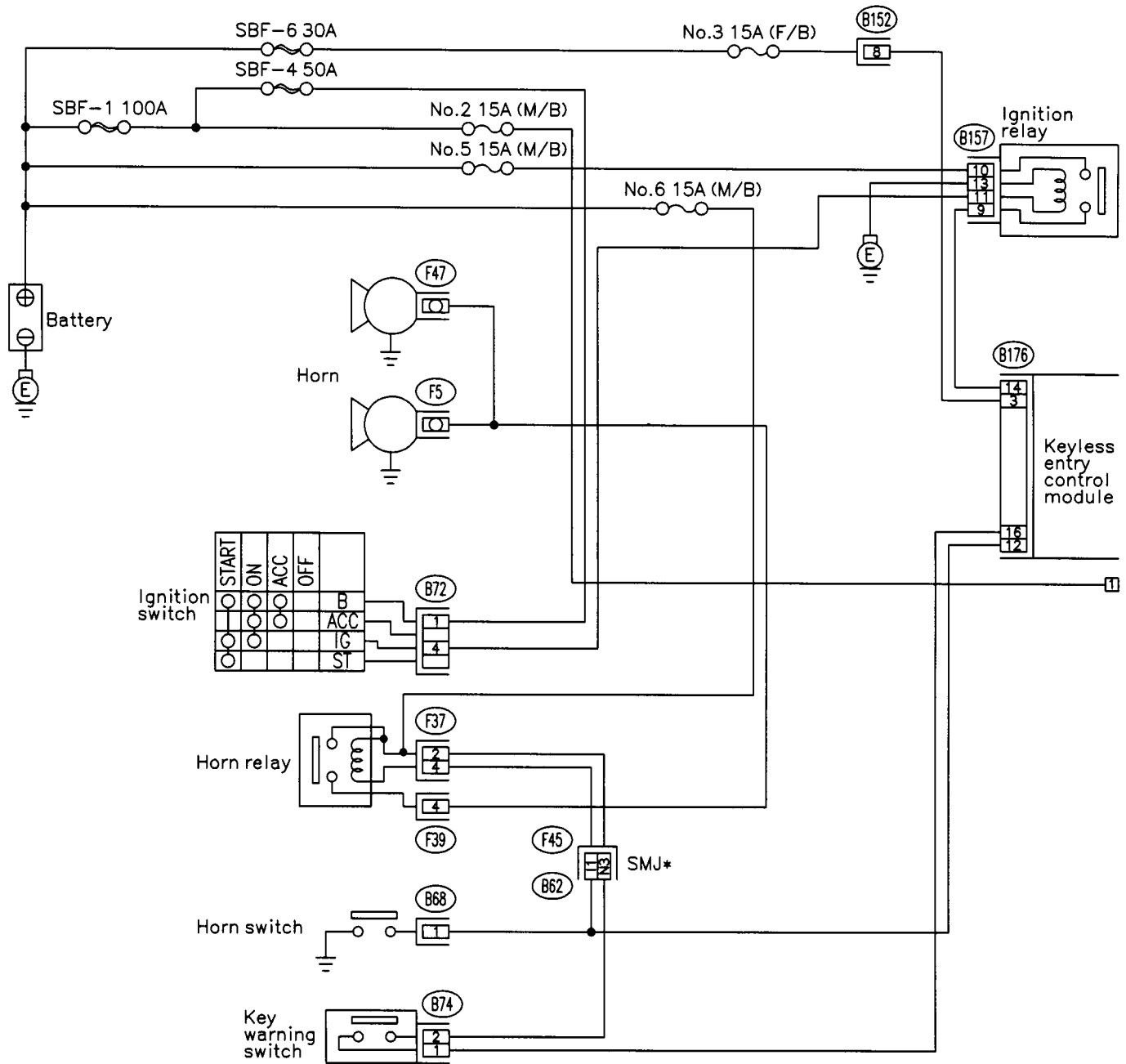
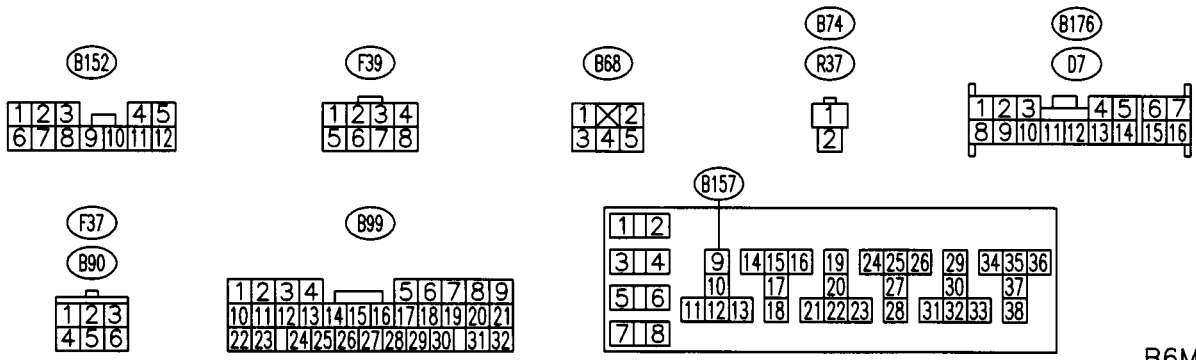


4. Schematic



*: Refer to WIRING DIAGRAM SECTION.



B6M1346

B6M1346

