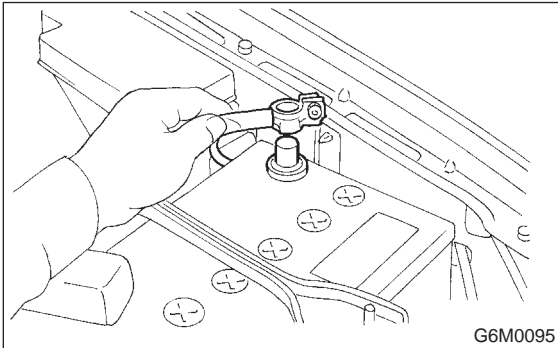


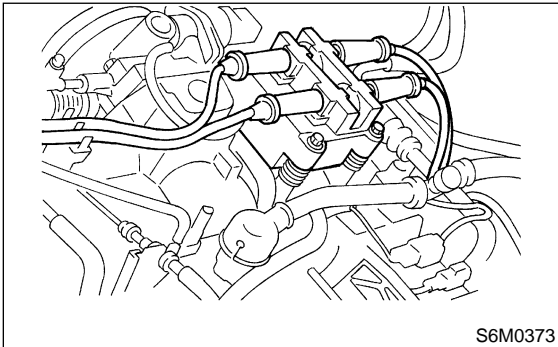
4. Ignition Coil and Ignitor Assembly

A: REMOVAL AND INSTALLATION

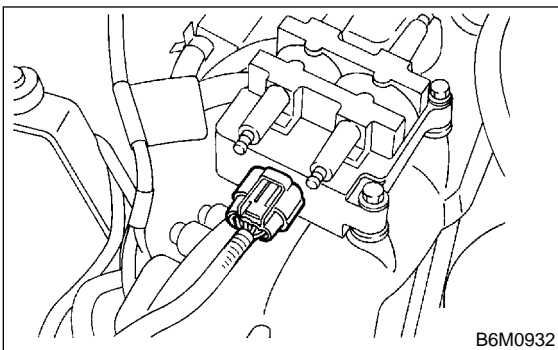
- 1) Disconnect battery ground cable.



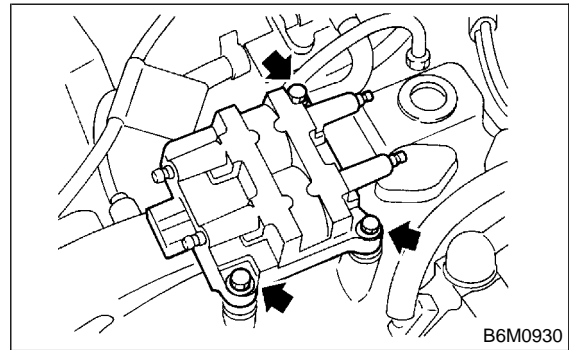
- 2) Disconnect spark plug cords from ignition coil and ignitor assembly.



- 3) Disconnect connector from ignition coil and ignitor assembly.



- 4) Remove ignition coil and ignitor assembly.



- 5) Installation is in the reverse order of removal.

Tightening torque:

$6.4 \pm 0.5 \text{ N}\cdot\text{m}$ ($0.65 \pm 0.05 \text{ kg}\cdot\text{m}$, $4.7 \pm 0.4 \text{ ft}\cdot\text{lb}$)

CAUTION:

Be sure to connect wires to their proper positions. Failure to do so will damage unit.

