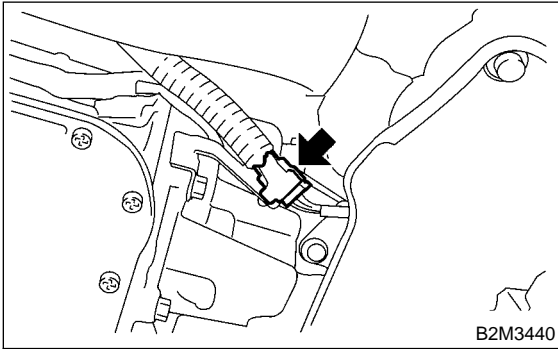
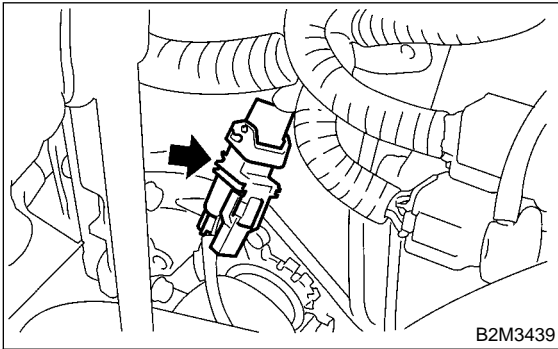


2. Rear Catalytic Converter

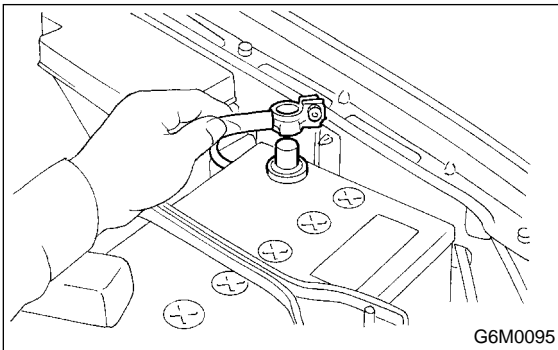
- 6) Connect connector to rear oxygen sensor connector.



- 7) Install under cover.
8) Lower the vehicle.
9) Connect front oxygen (A/F) sensor connector.



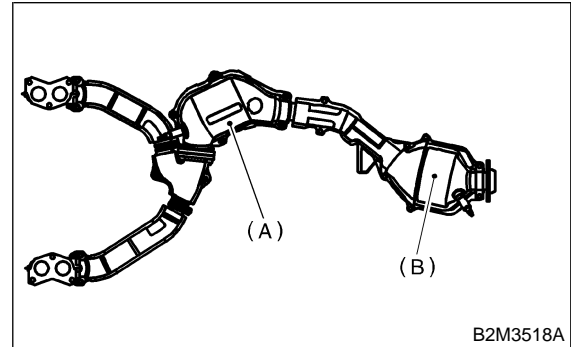
- 10) Connect battery ground cable.

**NOTE:**

The rear catalytic converter is integrated with front catalytic converter. Therefore, the procedure for installing rear catalytic converter is the same as the description above.

2. Rear Catalytic Converter**A: REMOVAL**

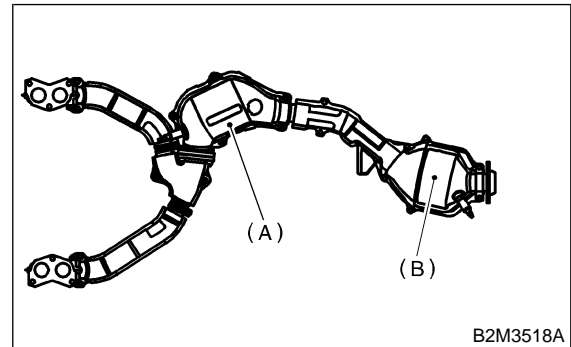
The front and rear catalytic converter and center exhaust pipe are integrated into one unit. Therefore, the removal and installation procedures are the same as the those for the front catalytic converter. <Ref. to 2-1 [W1A0].>



- (A) Front catalytic converter
(B) Rear catalytic converter

B: INSTALLATION

The front and rear catalytic converter and center exhaust pipe are integrated into one unit. Therefore, the removal and installation procedures are the same as the ones described under front catalytic converter. <Ref. to 2-1 [W1B0].>



- (A) Front catalytic converter
(B) Rear catalytic converter