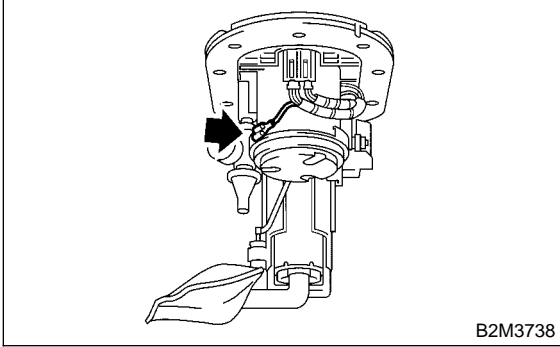


4) Installation is in the reverse order of removal.

**WARNING:**

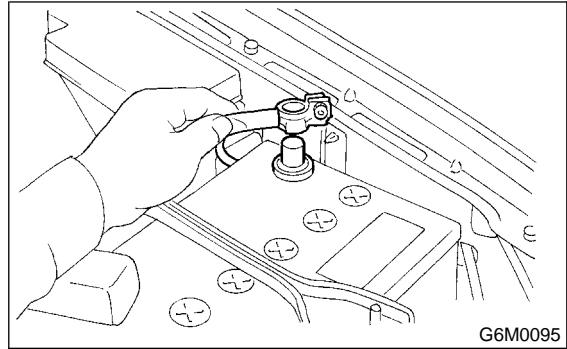
- Ground cable must be connected.
- Spark may occur and ignite if fuel is nearby.



B2M3738

**7. Sub Fuel Level Sensor****A: REMOVAL AND INSTALLATION**

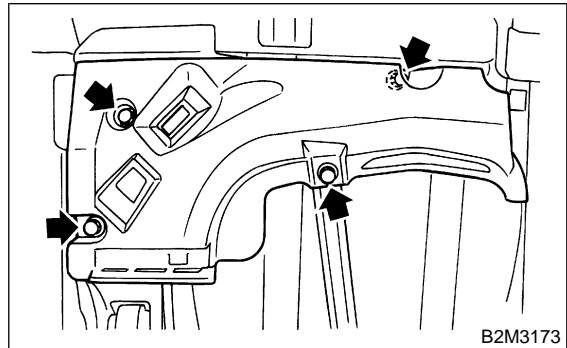
1) Disconnect battery ground cable.



G6M0095

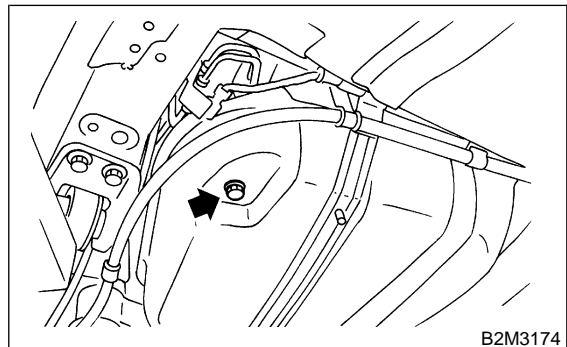
2) Lift-up the vehicle.

3) Remove front side fuel tank cover.



B2M3173

4) Drain fuel from fuel tank. Set a container under the vehicle and remove drain plug from fuel tank.

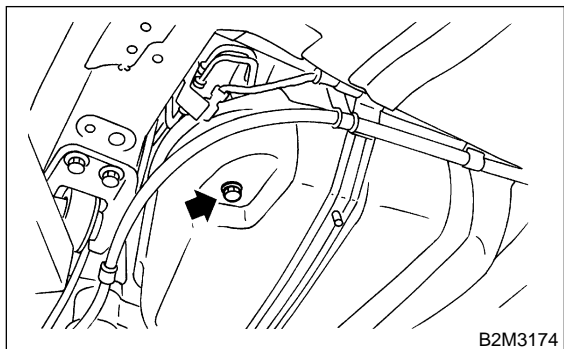


B2M3174

5) Tighten fuel drain plug and install front right side fuel tank cover.

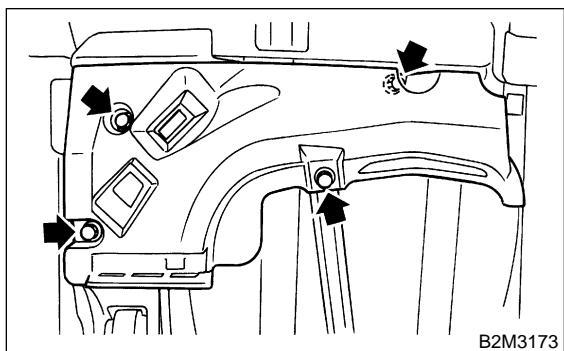
**Tightening torque:**

**$26 \pm 7 \text{ N}\cdot\text{m}$  ( $2.65 \pm 0.7 \text{ kg}\cdot\text{m}$ ,  $19.2 \pm 5.1 \text{ ft}\cdot\text{lb}$ )**



**Tightening torque:**

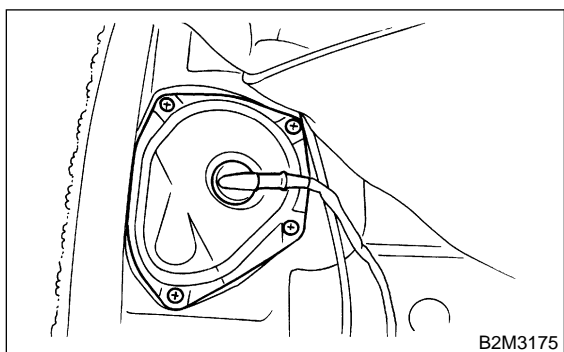
**$18 \pm 5 \text{ N}\cdot\text{m}$  ( $1.8 \pm 0.5 \text{ kg}\cdot\text{m}$ ,  $13.0 \pm 3.6 \text{ ft}\cdot\text{lb}$ )**



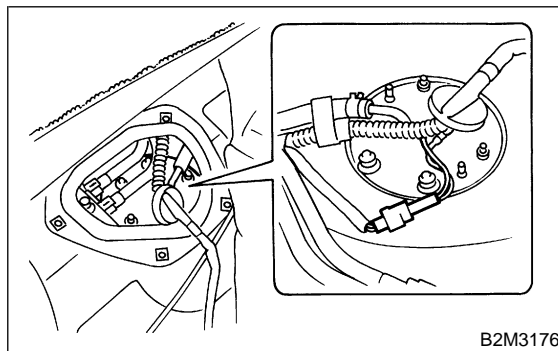
6) Raise rear seat and turn floor mat up. (Wagon model)

7) Remove rear seat. (Sedan model)

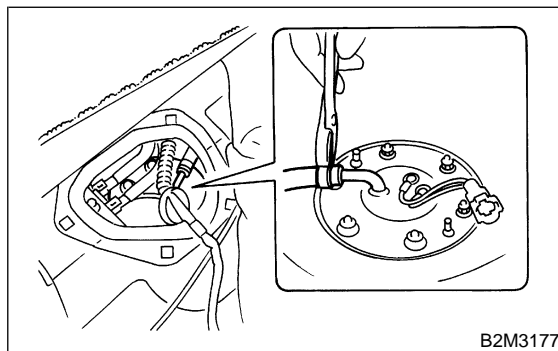
8) Remove service hole cover.



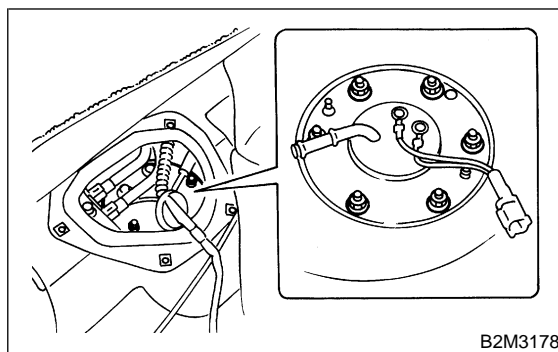
9) Disconnect connector from fuel sub level sensor.



10) Disconnect fuel jet pump hose.



11) Remove bolts which install fuel sub level sensor on fuel tank.



12) Remove fuel sub level sensor.

13) Installation is in the reverse order of removal.

**Tightening torque:**

**$4.4 \pm 1.5 \text{ N}\cdot\text{m}$  ( $0.45 \pm 0.15 \text{ kg}\cdot\text{m}$ ,  $3.3 \pm 1.1 \text{ ft}\cdot\text{lb}$ )**

