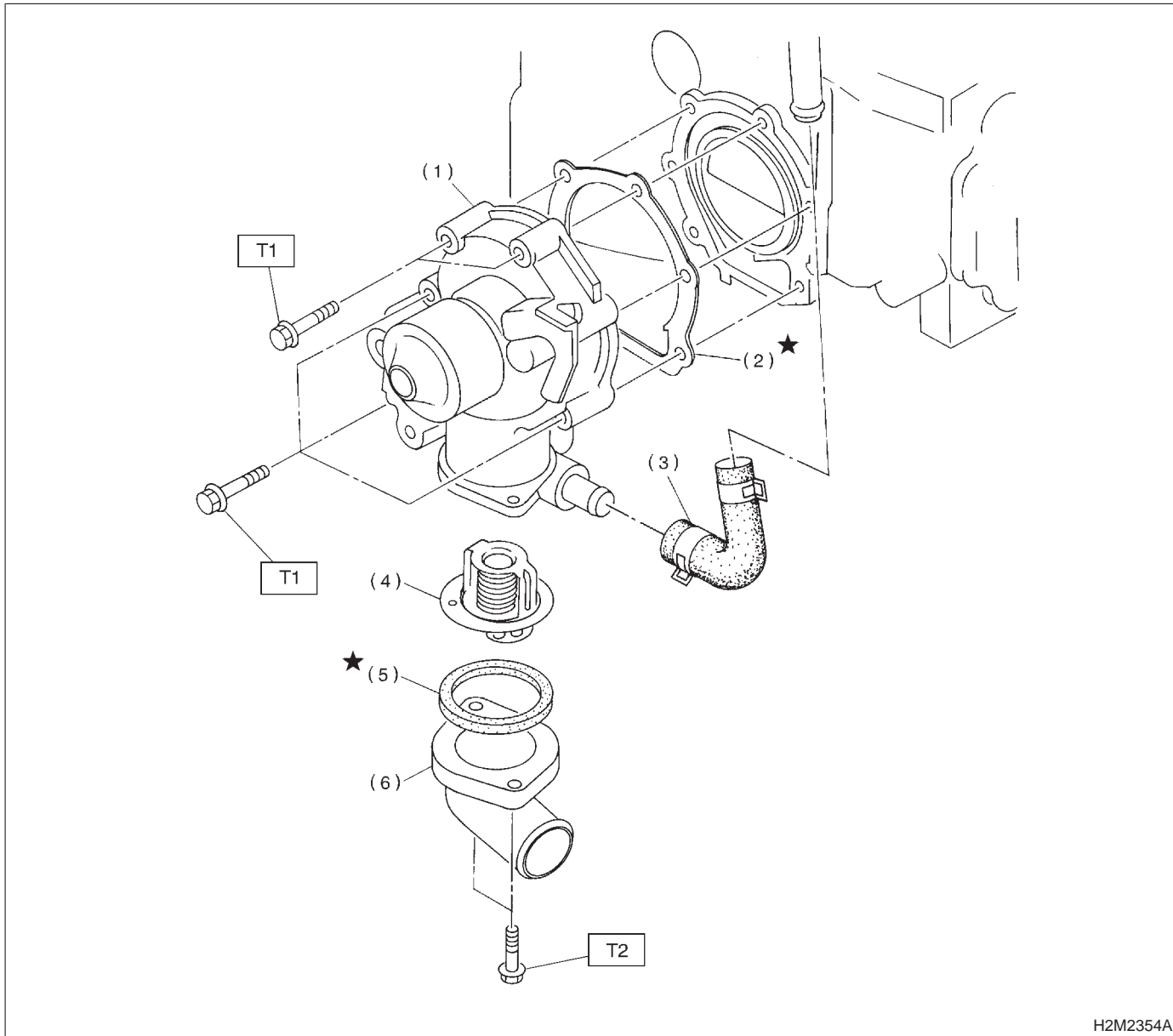


1. Water Pump



H2M2354A

- (1) Water pump ASSY
- (2) Gasket
- (3) Heater by-pass hose
- (4) Thermostat
- (5) Gasket
- (6) Thermostat cover

Tightening torque: N-m (kg-m, ft-lb)

**T1: First 12±2 (1.2±0.2, 8.7±1.4)
Second 12±2 (1.2±0.2,
8.7±1.4)**

T2: 6.4±0.5 (0.65±0.05, 4.7±0.4)