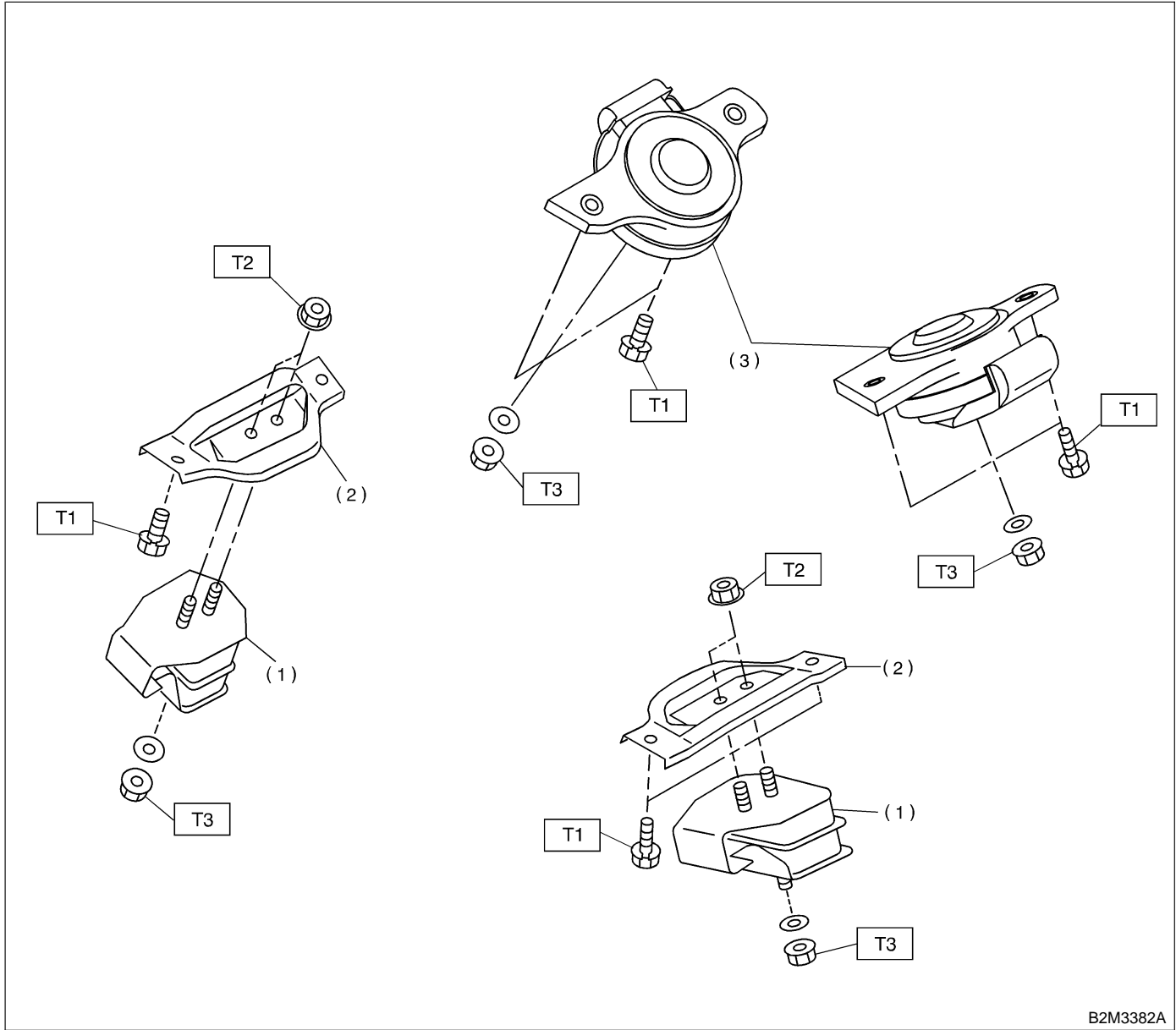


1. Engine Mounting



B2M3382A

- (1) Front cushion rubber
(BRIGHTON and L AT vehicles)
- (2) Front engine mounting bracket
(BRIGHTON and L AT vehicles)
- (3) Front cushion rubber (Except
BRIGHTON and L AT vehicles)

Tightening torque: N·m (kg·m, ft·lb)

T1: 34±5 (3.5±0.5, 25.3±3.6)

T2: 41±10 (4.2±1.0, 30±7)

T3: 74⁺¹⁰/₋₅ (7.5^{+1.0}/_{-0.5}, 54^{+7.2}/_{-3.6})