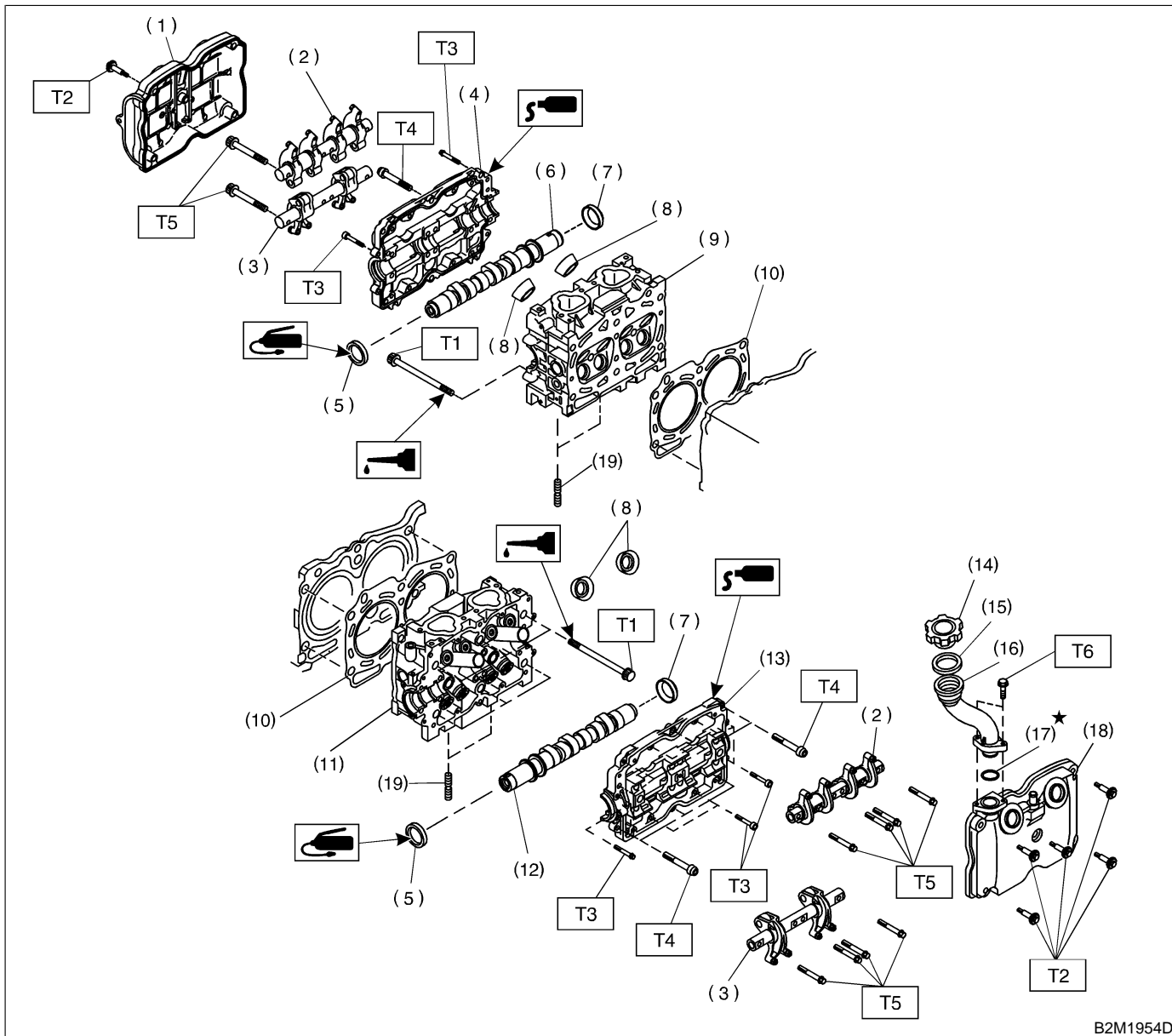


2. Cylinder Head and Camshaft



- | | |
|-------------------------------|-------------------------|
| (1) Rocker cover (RH) | (11) Cylinder head (LH) |
| (2) Intake valve rocker ASSY | (12) Camshaft (LH) |
| (3) Exhaust valve rocker ASSY | (13) Camshaft cap (LH) |
| (4) Camshaft cap (RH) | (14) Oil filler cap |
| (5) Oil seal | (15) Gasket |
| (6) Camshaft (RH) | (16) Oil filler pipe |
| (7) Plug | (17) O-ring |
| (8) Spark plug pipe gasket | (18) Rocker cover (LH) |
| (9) Cylinder head (RH) | (19) Stud bolt |
| (10) Cylinder head gasket | |

Tightening torque: N-m (kg-m, ft-lb)

T1: Refer to [W6E1].

T2: 5±1 (0.5±0.1, 3.6±0.7)

T3: 10±2 (1.0±0.2, 7.2±1.4)

T4: 18±2 (1.8±0.2, 13.0±1.4)

T5: 25±2 (2.5±0.2, 18.1±1.4)

T6: 6.4±0.5 (0.65±0.05, 4.7±0.4)