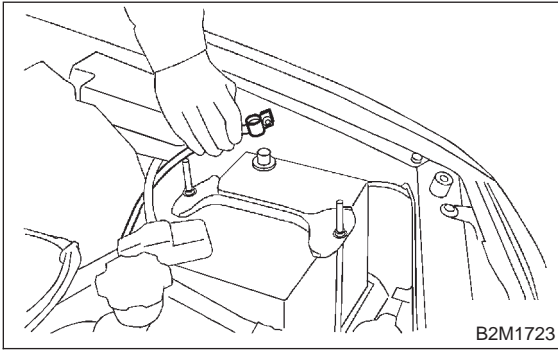


5) Connect battery ground cable.

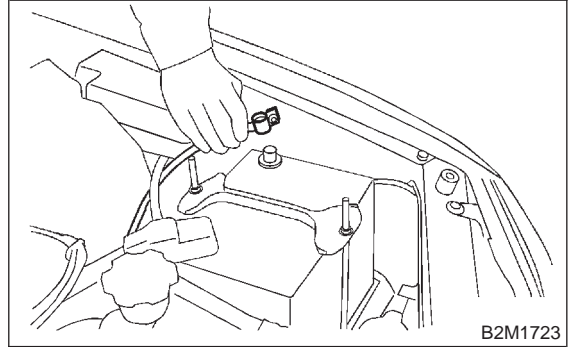


10. Throttle Position Sensor

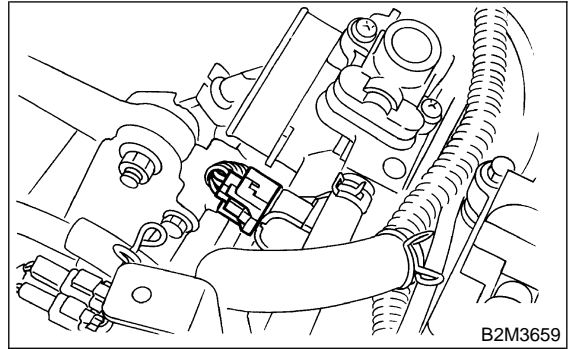
A: REMOVAL AND INSTALLATION

1. MT VEHICLES

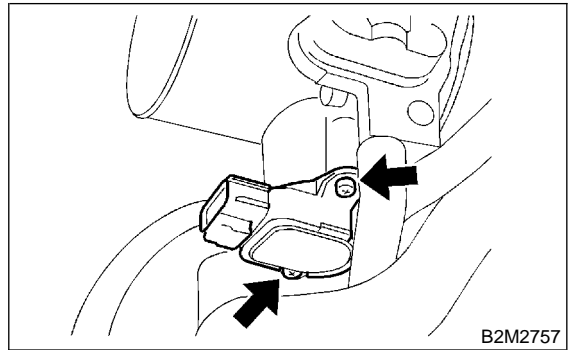
1) Disconnect battery ground cable.



2) Disconnect connector from throttle position sensor.



3) Remove throttle position sensor holding screws, and remove throttle position sensor itself.



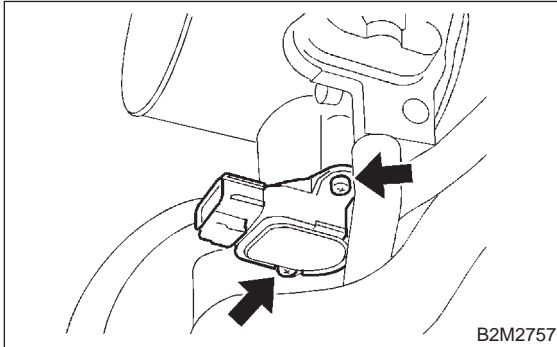
4) Installation is in the reverse order of removal.

CAUTION:

When installing throttle position sensor, adjust the position to match with the specified data.

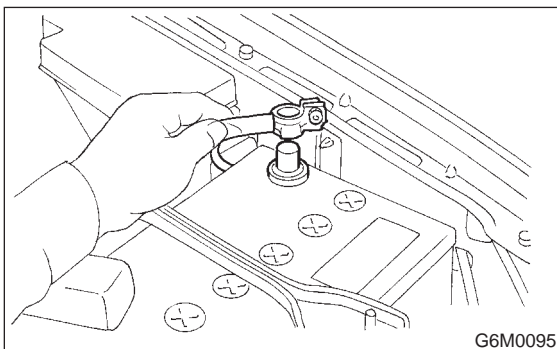
Tightening torque:

$2.2 \pm 0.2 \text{ N}\cdot\text{m}$ ($0.22 \pm 0.02 \text{ kg}\cdot\text{m}$, $1.6 \pm 0.1 \text{ ft}\cdot\text{lb}$)

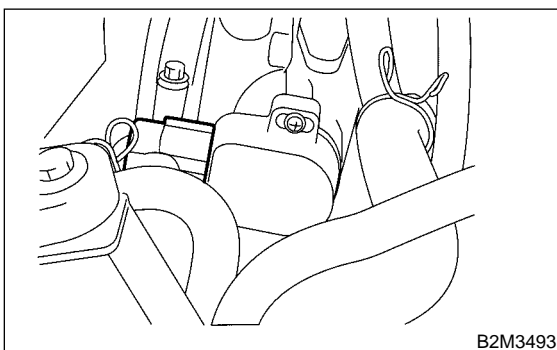


2. AT VEHICLES

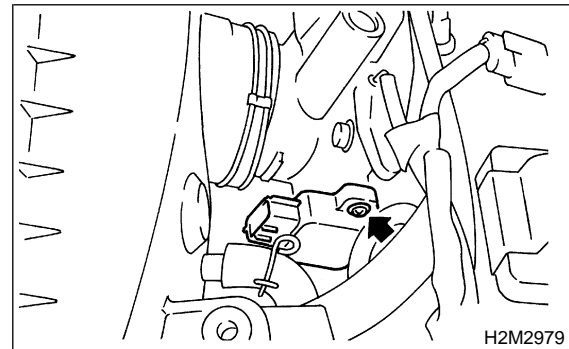
1) Disconnect battery ground cable.



2) Disconnect connector from throttle position sensor.



3) Remove throttle position sensor holding screws, and remove it.



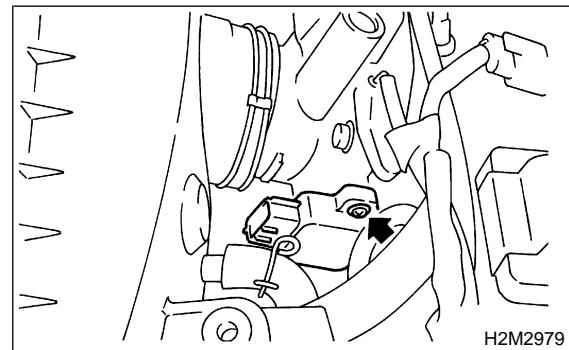
4) Installation is in the reverse order of removal.

Tightening torque:

$2.2 \pm 0.2 \text{ N}\cdot\text{m}$ ($0.22 \pm 0.02 \text{ kg}\cdot\text{m}$, $1.6 \pm 0.1 \text{ ft}\cdot\text{lb}$)

CAUTION:

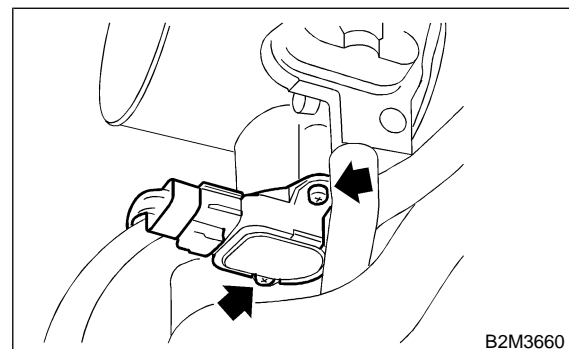
When installing throttle position sensor, adjust to the specified data.



B: ADJUSTMENT

1. MT VEHICLES

- 1) Turn ignition switch to OFF.
- 2) Loosen throttle position sensor holding screws.

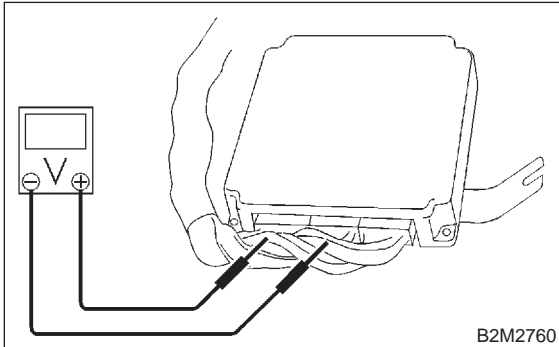


- 3) When using voltage meter;
 - (1) Take out ECM.
 - (2) Turn ignition switch to ON.

10. Throttle Position Sensor

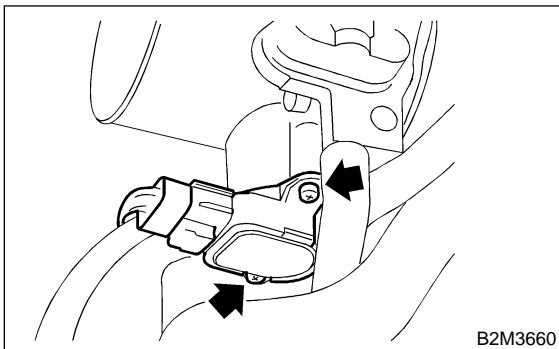
(3) Adjust throttle position sensor to the proper position to allow the voltage signal to ECM to be in specification.

Connector & terminal / Specified voltage
(B136) No. 15 — (B136) No. 17 / 0.45 —
0.55 V
[Fully closed.]



(4) Tighten throttle position sensor holding screws.

Tightening torque:
 2.2 ± 0.2 N·m (0.22 ± 0.02 kg·m, 1.6 ± 0.1 ft·lb)



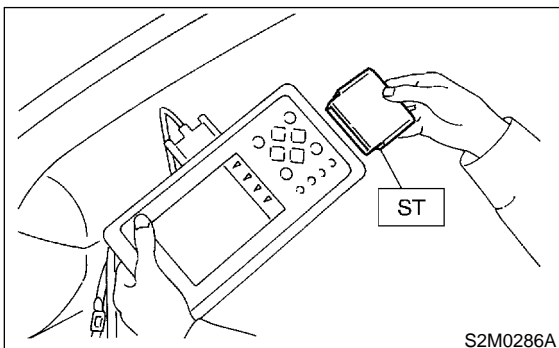
4) When using Subaru Select Monitor;

NOTE:

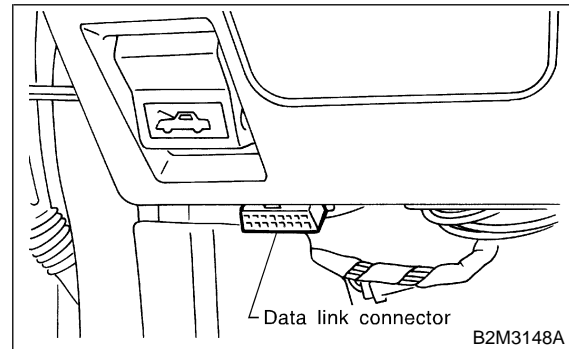
For detailed operation procedures, refer to the Subaru Select Monitor Operation Manual.

(1) Insert the cartridge to Subaru Select Monitor.

<Ref. to 1-6 [G1100].>



(2) Connect Subaru Select Monitor to the data link connector.



(3) Turn ignition switch to ON, and Subaru Select Monitor switch to ON.

(4) Select {2. Each System Check} in Main Menu.

(5) Select {Engine Control System} in Selection Menu.

(6) Select {1. Current Data Display & Save} in EGI/EMPI Diagnosis.

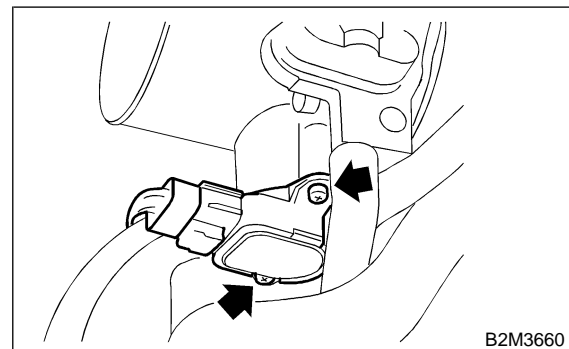
(7) Select {1.12 Data Display} in Data Display Menu.

(8) Adjust throttle position sensor to the proper position to match with the following specifications.

Condition: Throttle fully closed
Throttle opening angle 0.00%
Throttle sensor voltage 0.50 V

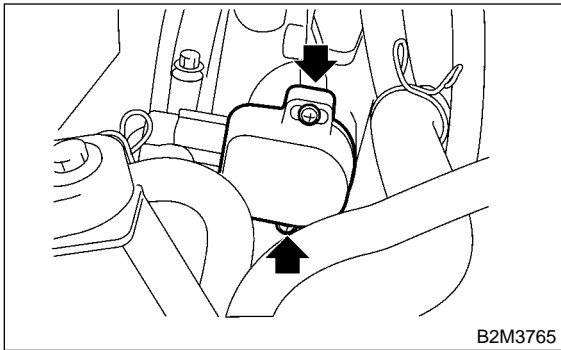
(9) Tighten throttle position sensor holding screws.

Tightening torque:
 2.2 ± 0.2 N·m (0.22 ± 0.02 kg·m, 1.6 ± 0.1 ft·lb)

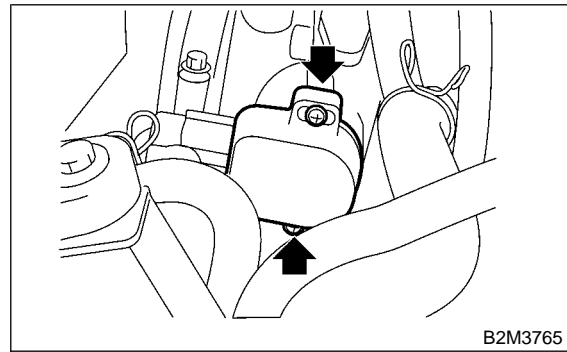


2. AT VEHICLES

- 1) Turn ignition switch to OFF.
- 2) Loosen throttle position sensor holding screws.

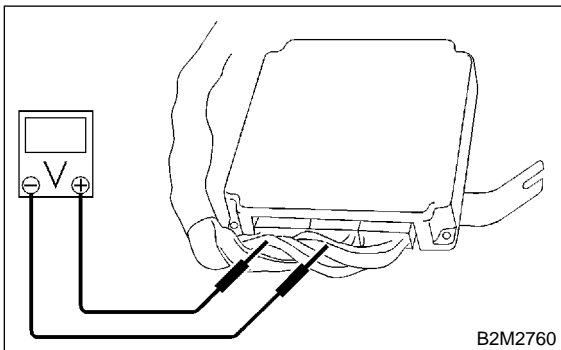


- (2) Loosen throttle position sensor holding screws.



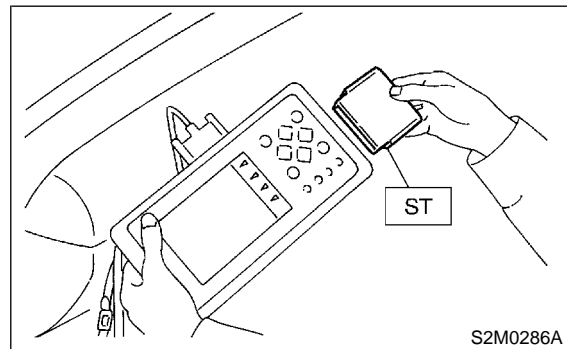
- 3) When using voltage meter;
 - (1) Take out ECM.
 - (2) Turn ignition switch to ON.
 - (3) Adjust throttle position sensor to the proper position to allow the voltage signal to ECM to be in specification.

Connector & terminal / Specified voltage
(B136) No. 15 — (B136) No. 17 / 0.45 —
0.55 V
[Fully closed.]



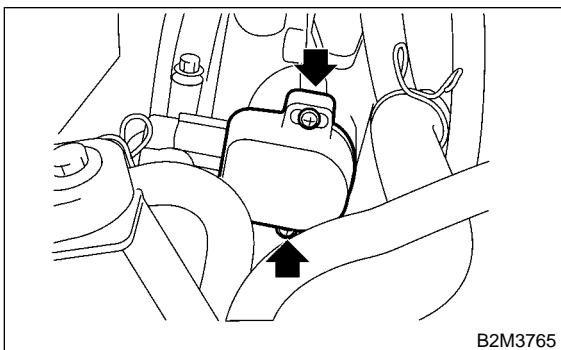
NOTE:
 For detailed operation procedures, refer to the Subaru Select Monitor Operation Manual.

- (3) Insert the cartridge to Subaru Select Monitor.
 <Ref. to 1-6 [G1100].>

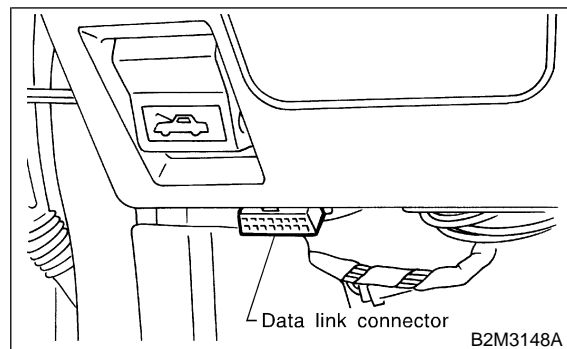


- (4) Tighten throttle position sensor holding screws.

Tightening torque:
2.2±0.2 N·m (0.22±0.02 kg·m, 1.6±0.1 ft·lb)



- (4) Connect Subaru Select Monitor to the data link connector.



- 4) When using Subaru Select Monitor;
 - (1) Turn ignition switch to OFF.

- 5) Turn ignition switch to ON, and Subaru Select Monitor switch to ON.
- 6) Select {2. Each System Check} in Main Menu.
- 7) Select {Engine Control System} in Selection Menu.
- 8) Select {1. Current Data Display & Save} in Engine Control System Diagnosis.
- 9) Select {1.12 Data Display} in Data Display Menu.
- 10) Adjust throttle position sensor to the proper position to match with the following specifications.