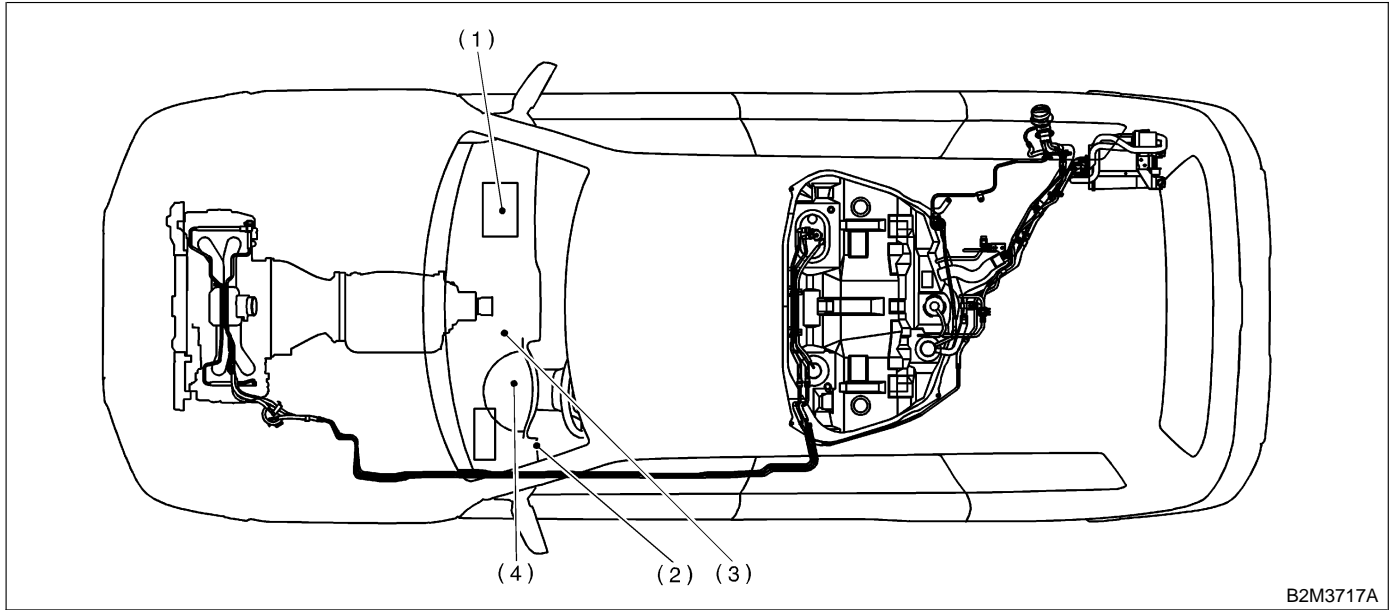


2. Electrical Components Location

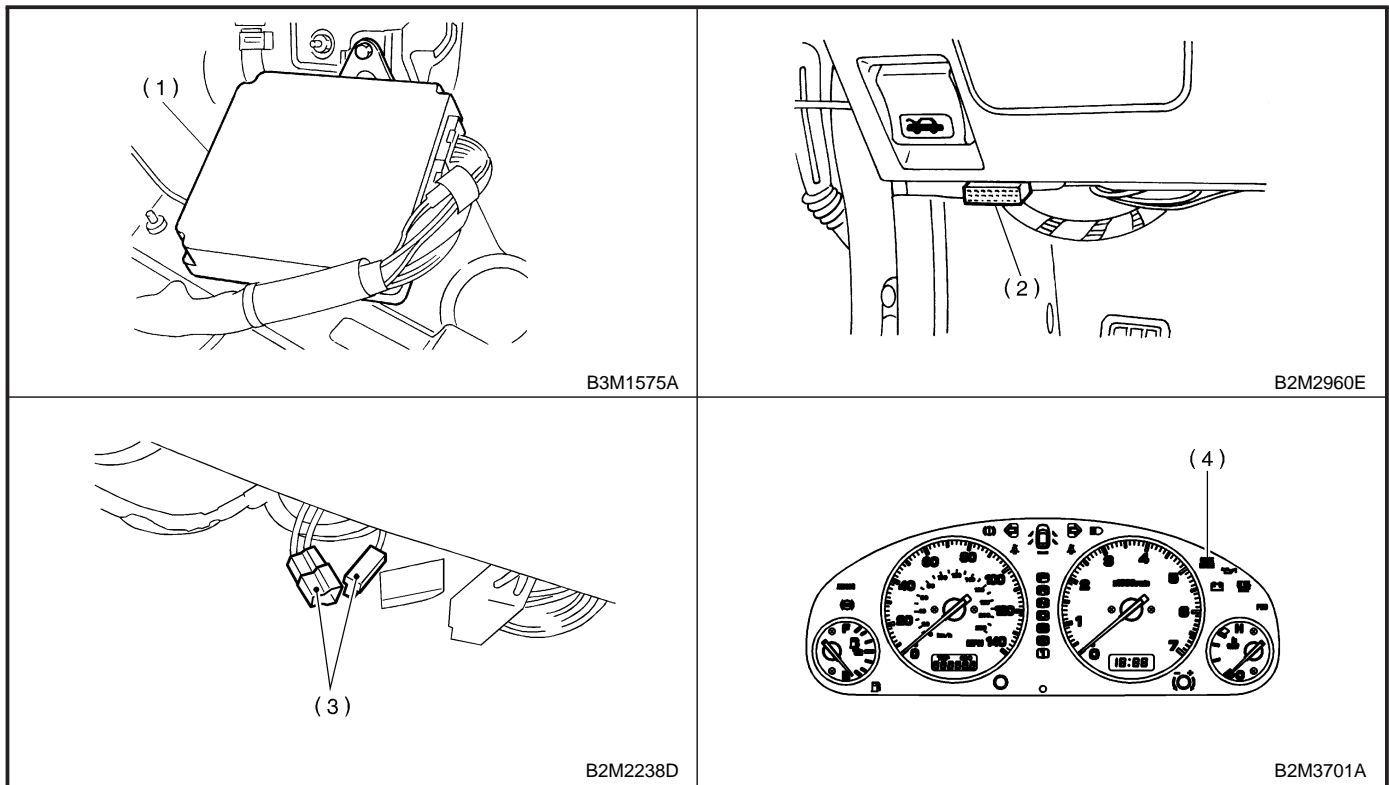
A: ENGINE (MT VEHICLES)

1. MODULE

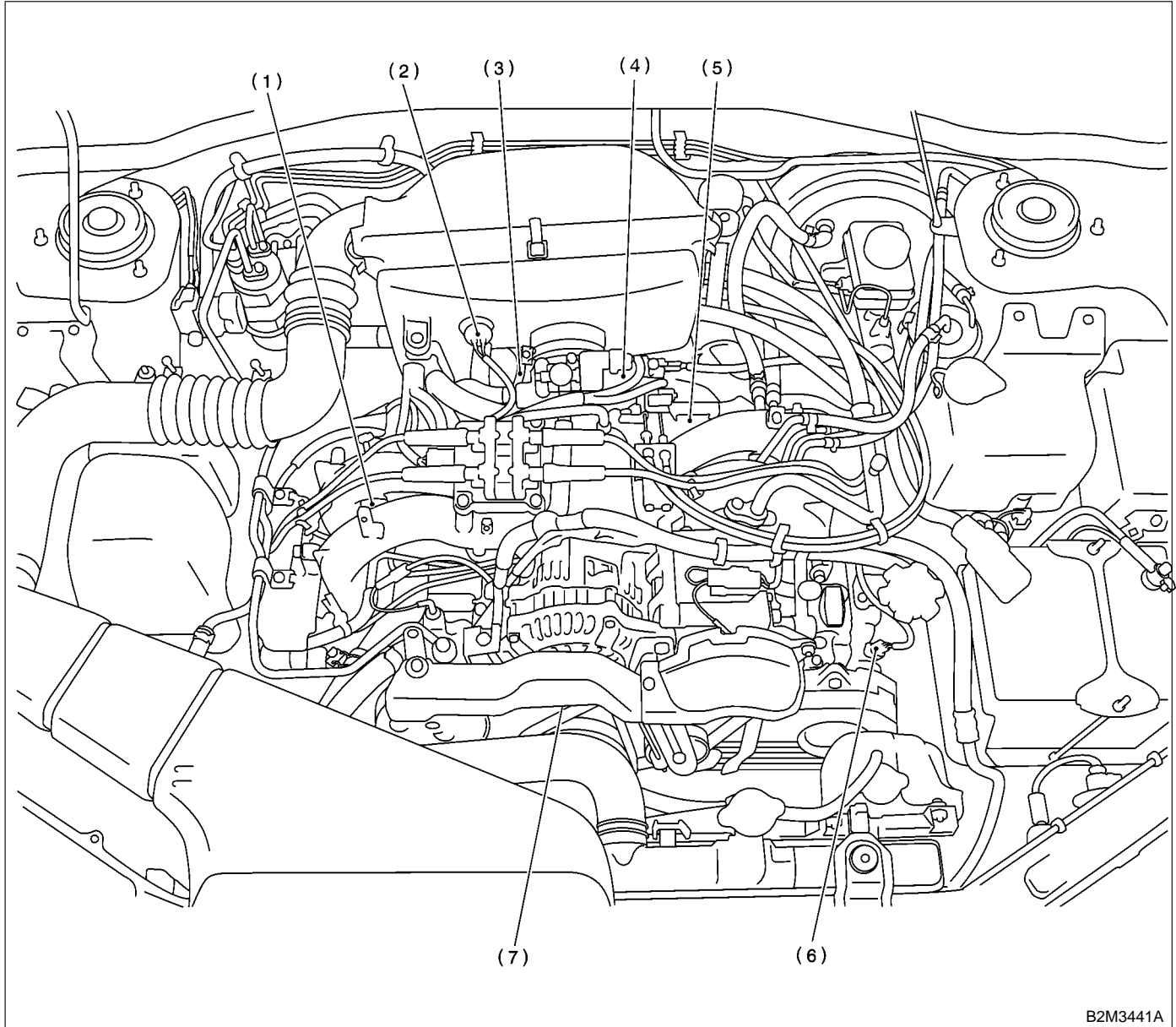


B2M3717A

- | | |
|--|---|
| (1) Engine control module (ECM) | (3) Test mode connector |
| (2) Data link connector (for Subaru Select Monitor and OBD-II general scan tool) | (4) CHECK ENGINE malfunction indicator lamp (MIL) |



2. SENSOR



B2M3441A

(1) Engine coolant temperature sensor

(3) Throttle position sensor

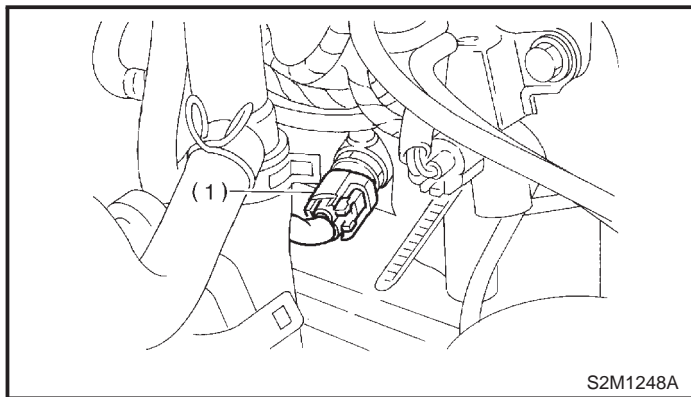
(6) Camshaft position sensor

(2) Intake air temperature sensor

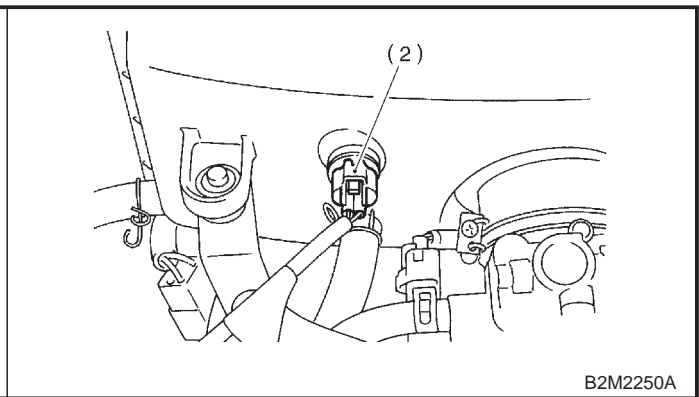
(4) Intake manifold pressure sensor

(7) Crankshaft position sensor

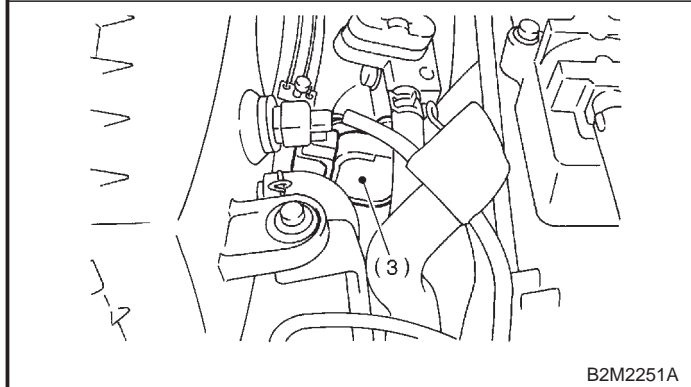
(5) Knock sensor



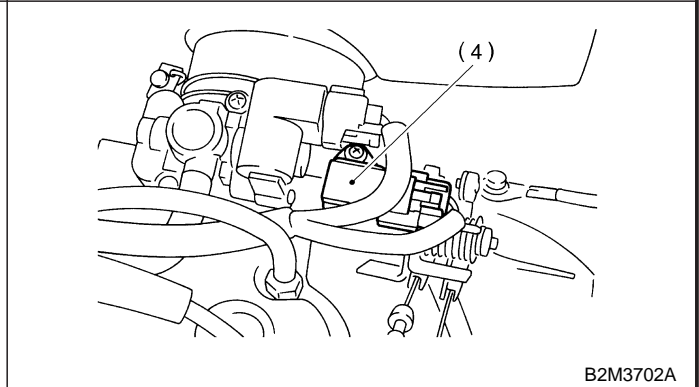
S2M1248A



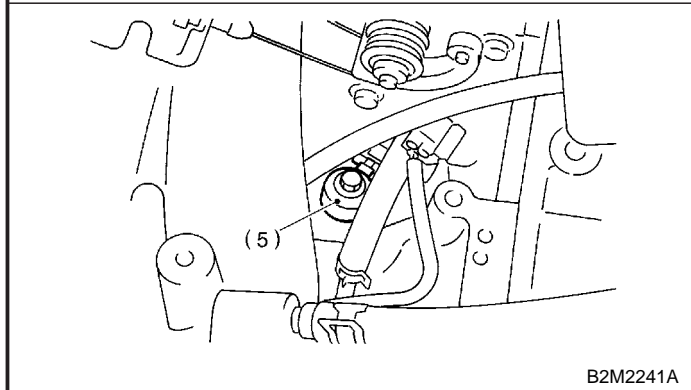
B2M2250A



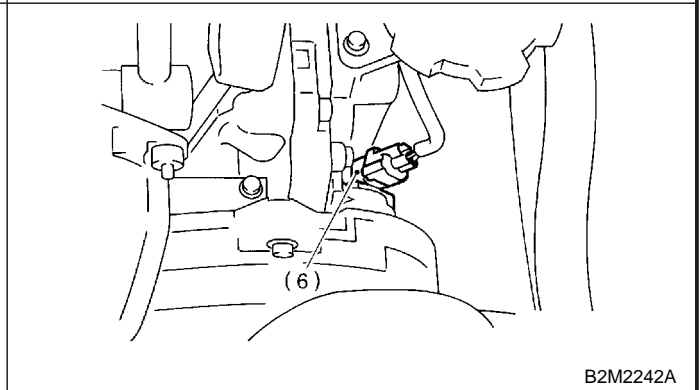
B2M2251A



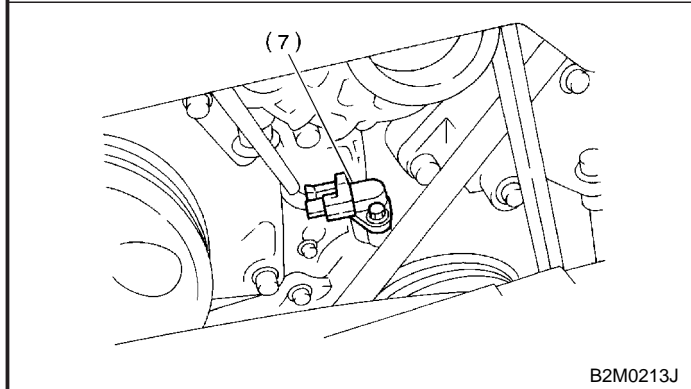
B2M3702A



B2M2241A



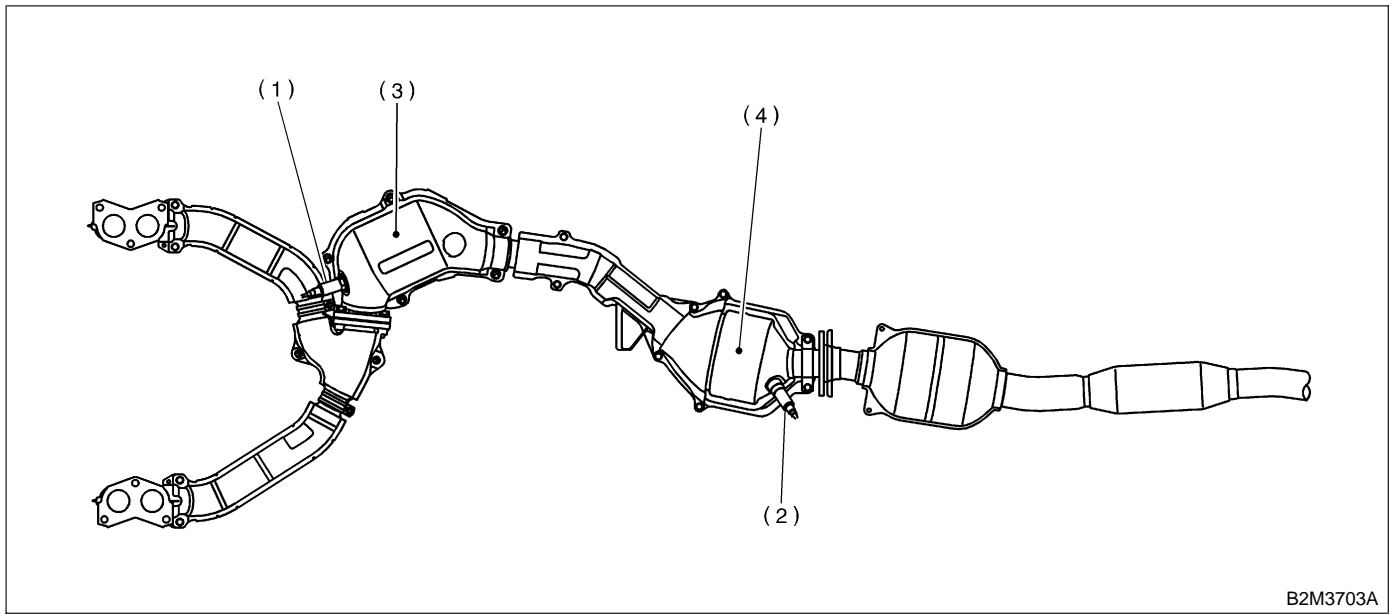
B2M2242A



B2M0213J

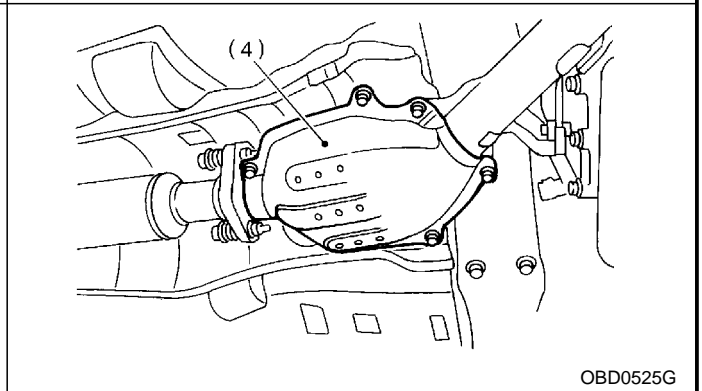
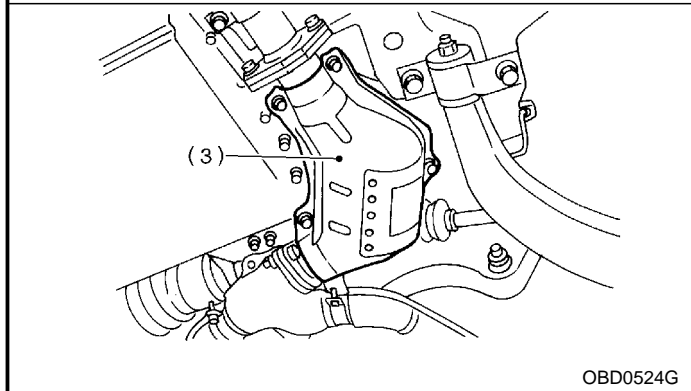
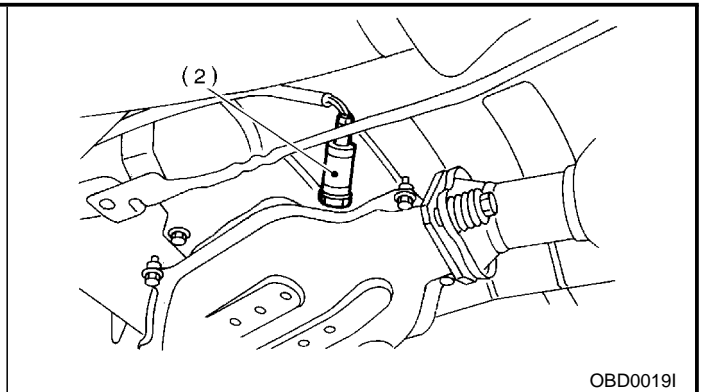
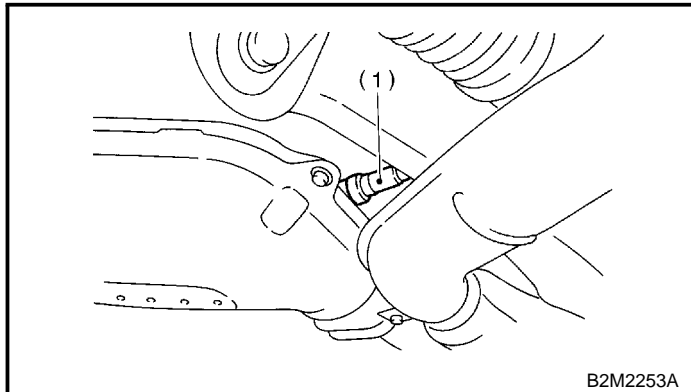
SUBARU.

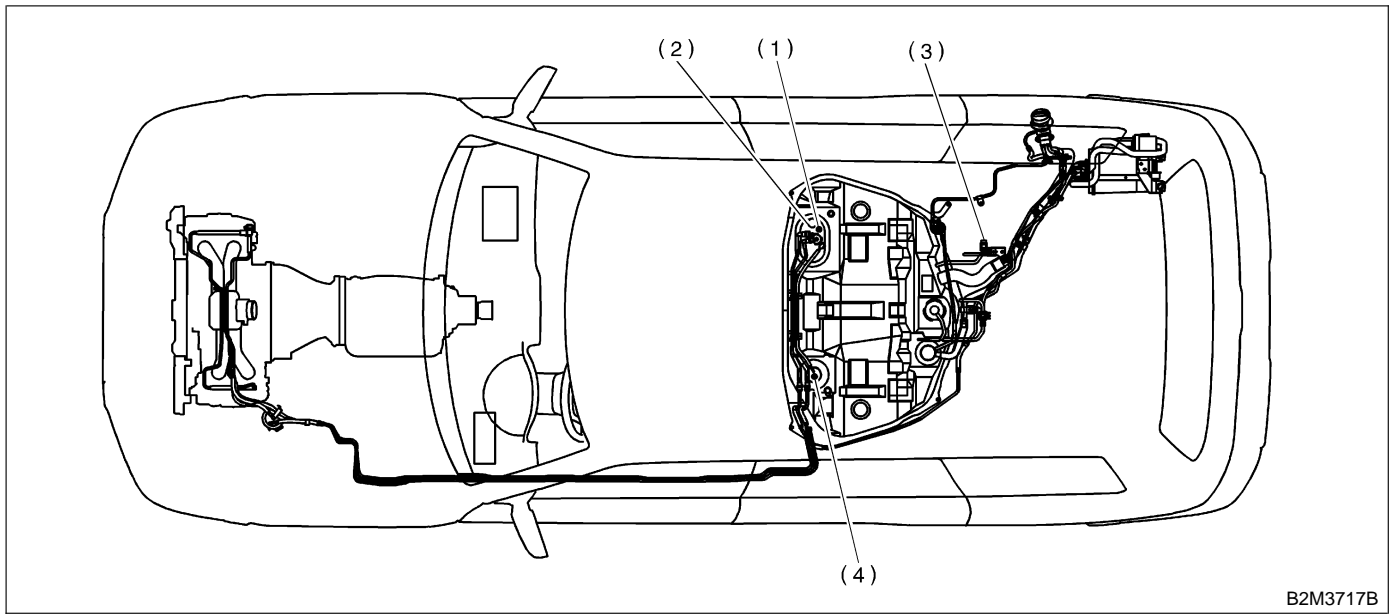
2. Electrical Components Location



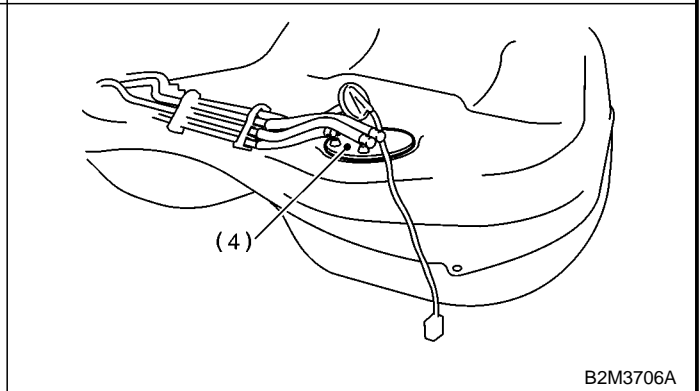
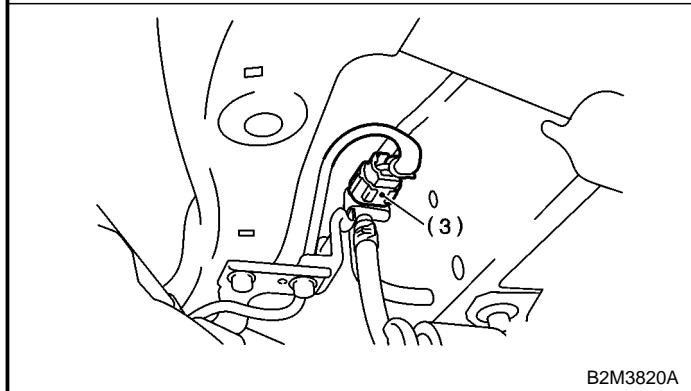
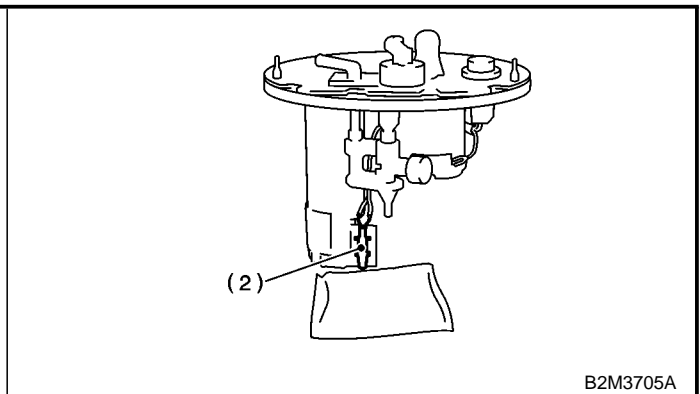
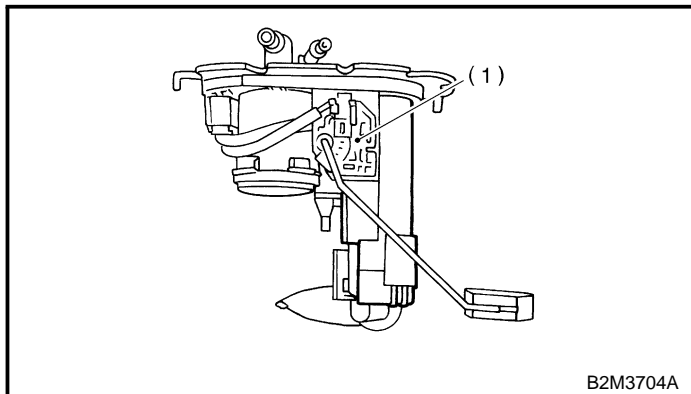
- (1) Front oxygen (A/F) sensor
- (2) Rear oxygen sensor

- (3) Front catalytic converter
- (4) Rear catalytic converter

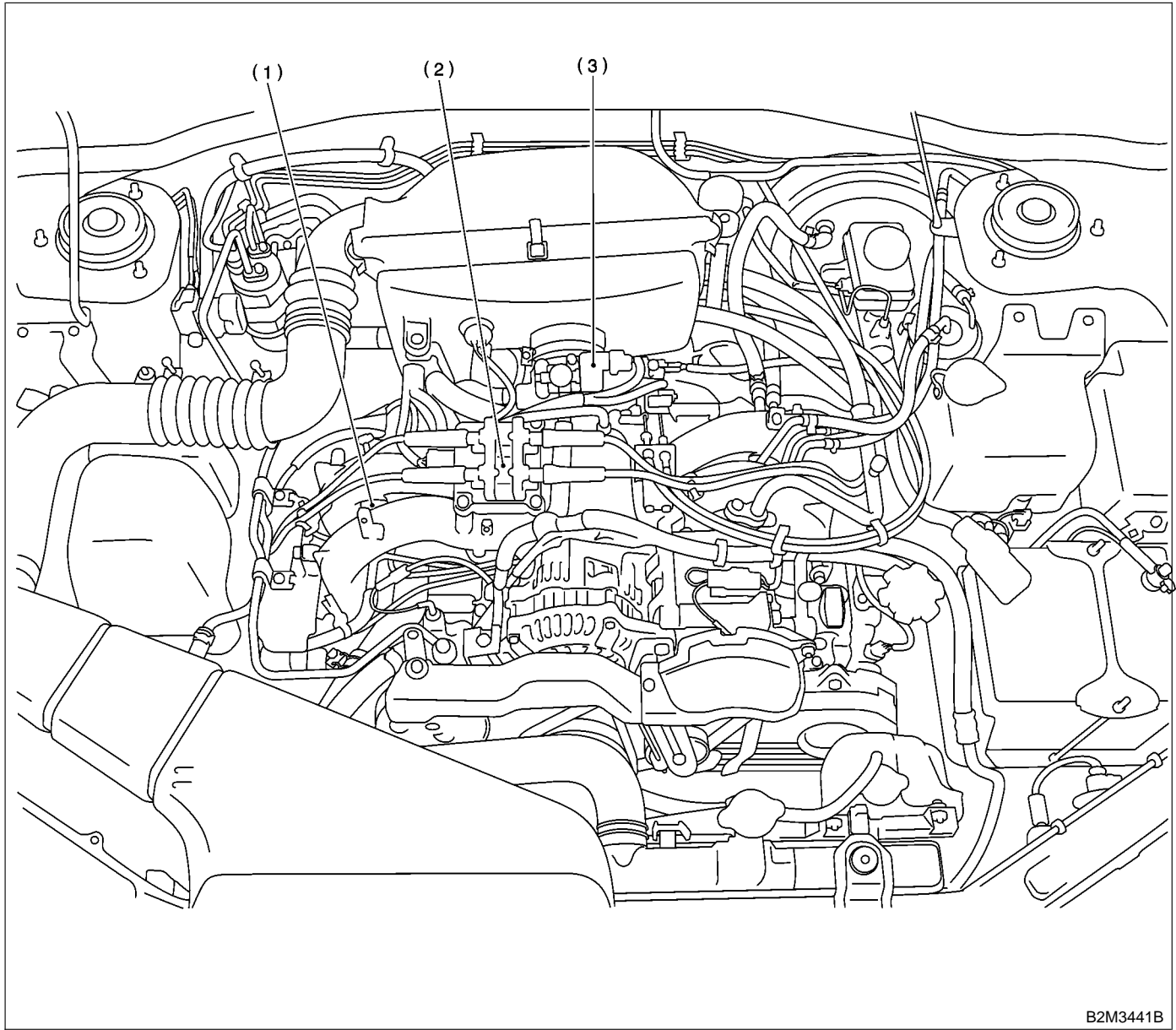




- (1) Fuel level sensor
- (2) Fuel temperature sensor
- (3) Fuel tank pressure sensor
- (4) Fuel sub level sensor



3. SOLENOID VALVE, EMISSION CONTROL SYSTEM PARTS AND IGNITION SYSTEM PARTS

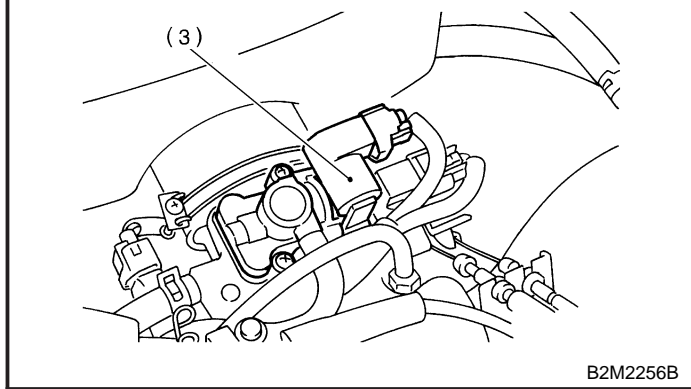
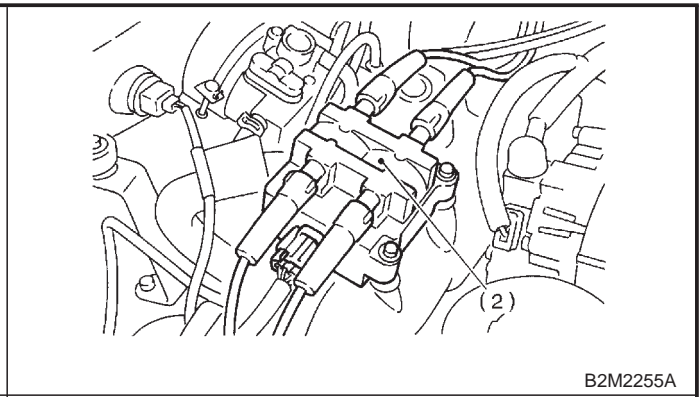
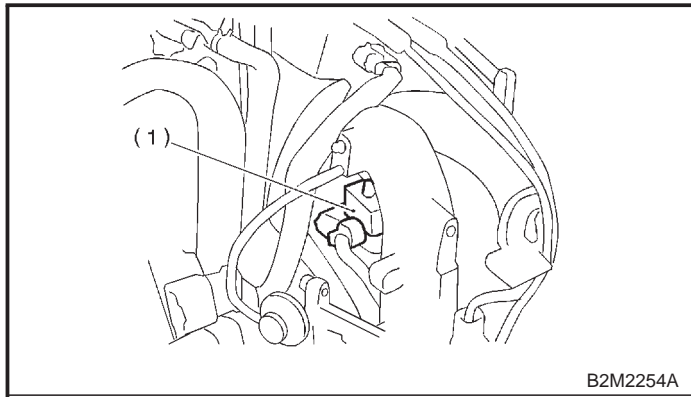


B2M3441B

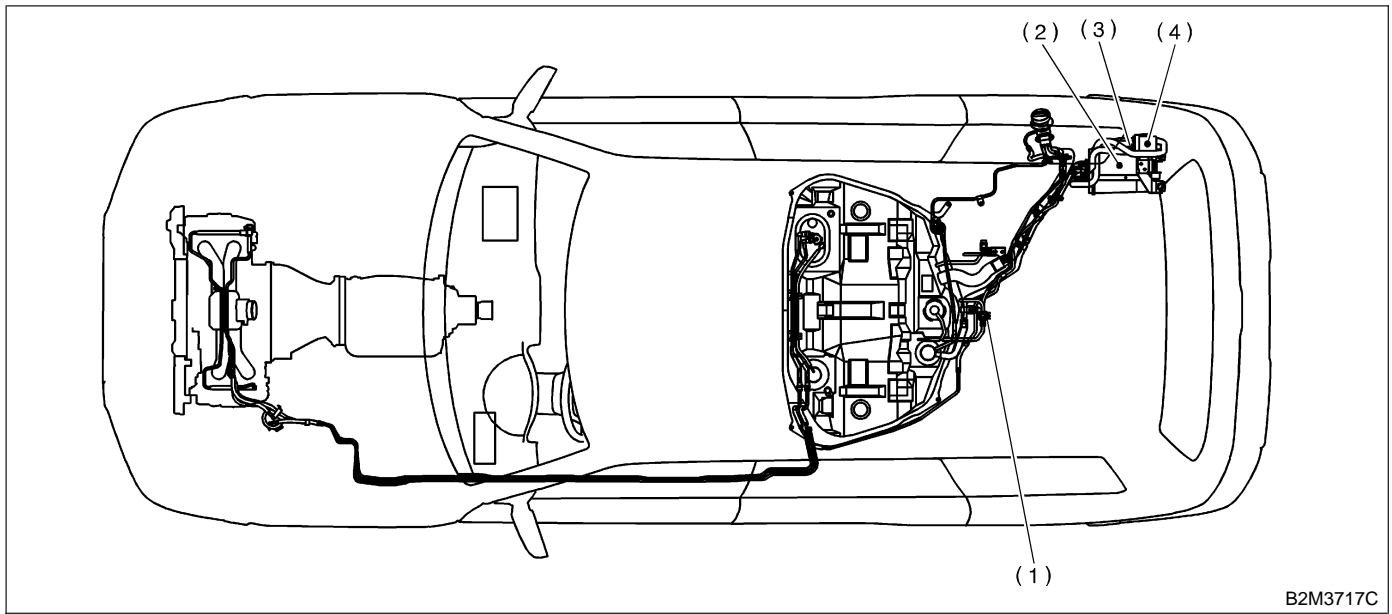
(1) Purge control solenoid valve

(2) Ignition coil & ignitor ASSY

(3) Idle air control solenoid valve

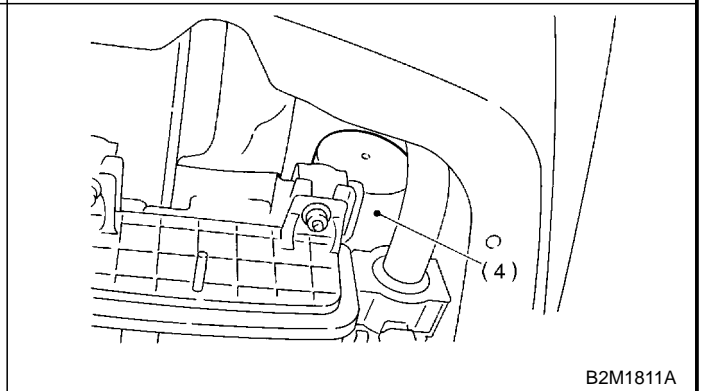
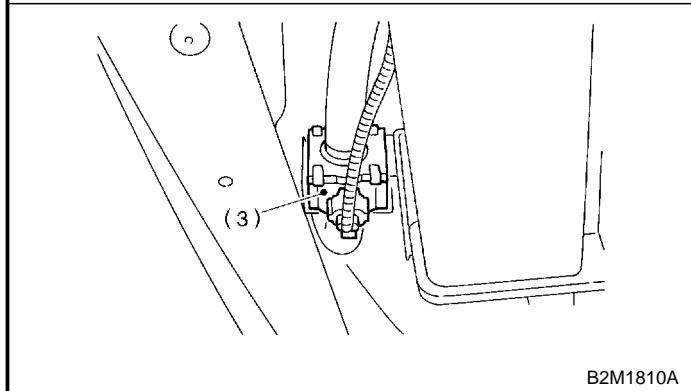
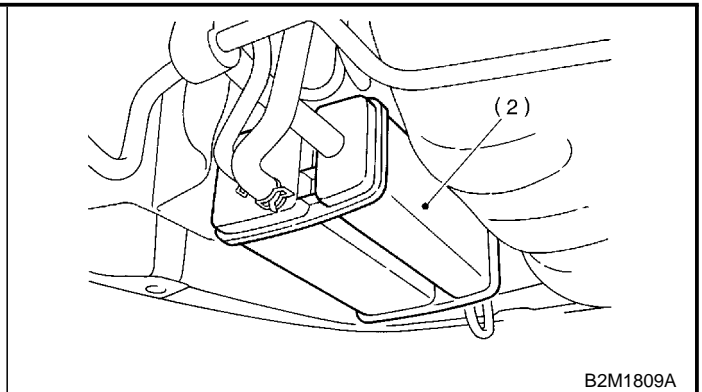
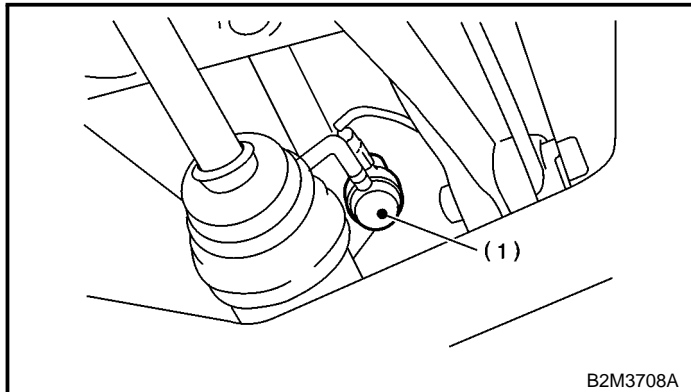


2. Electrical Components Location



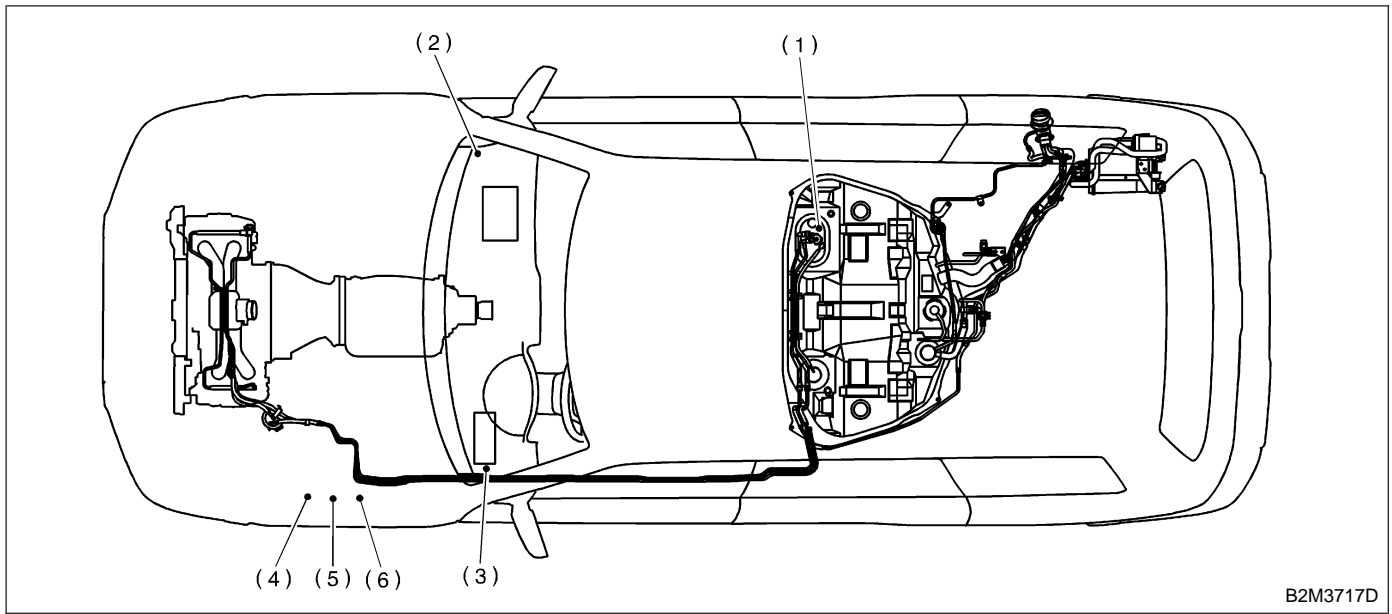
- (1) Pressure control solenoid valve
- (2) Canister

- (3) Drain valve
- (4) Drain filter



MEMO:

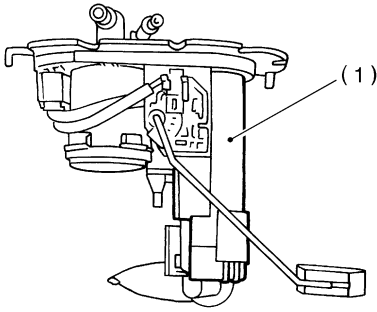
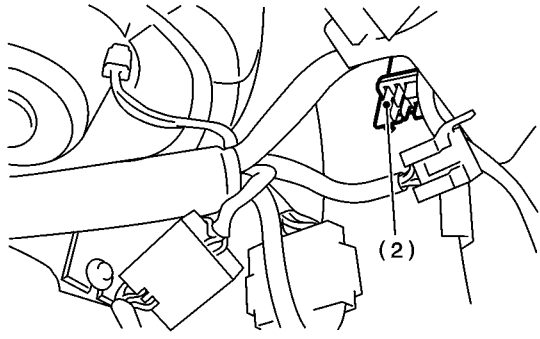
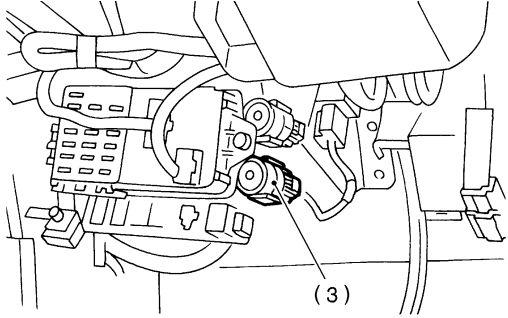
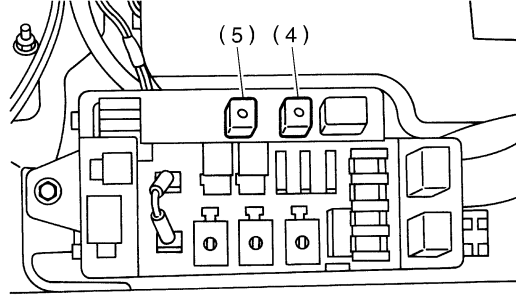
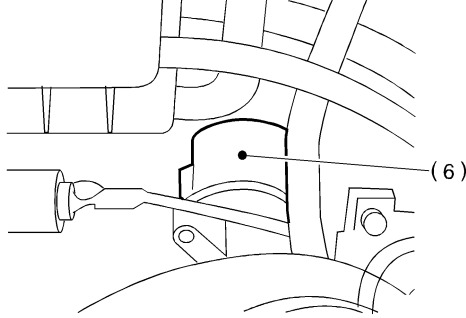
2. Electrical Components Location



(1) Fuel pump
(2) Main relay

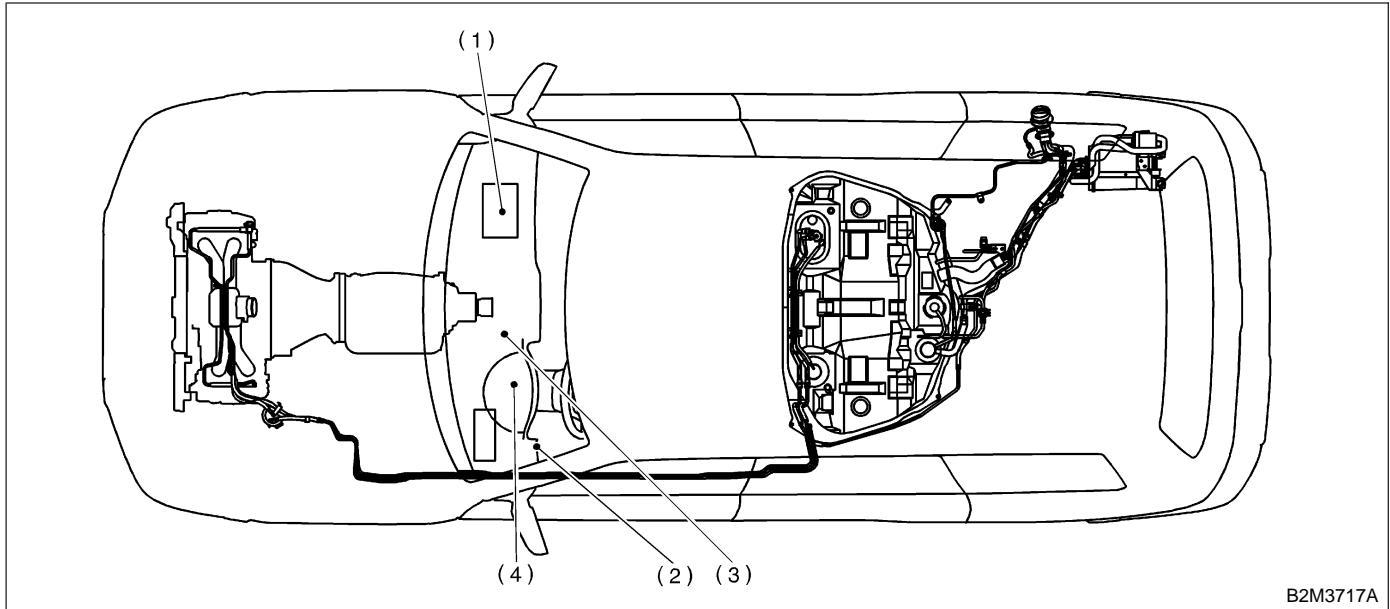
(3) Fuel pump relay
(4) Radiator main fan relay

(5) Radiator sub fan relay
(6) Starter

 <p>(1)</p> <p>B2M3704B</p>	 <p>(2)</p> <p>B2M3709A</p>
 <p>(3)</p> <p>B2M3710A</p>	 <p>(5) (4)</p> <p>B2M3711A</p>
 <p>(6)</p> <p>B2M2247D</p>	<p>SUBARU.</p>

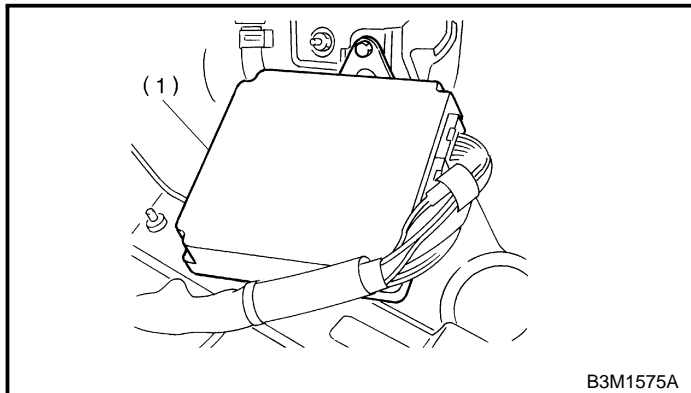
B: ENGINE (AT VEHICLES)

1. MODULE

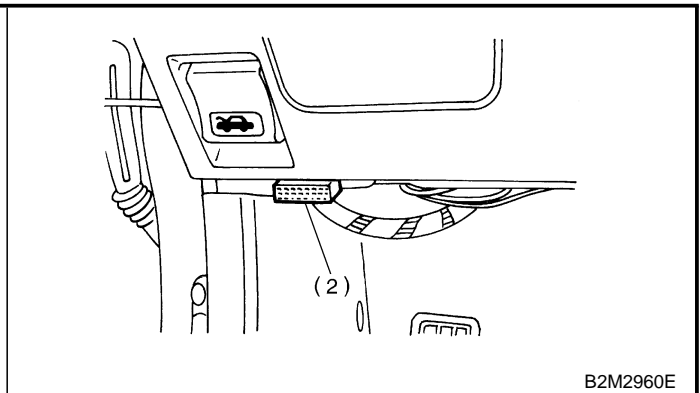


B2M3717A

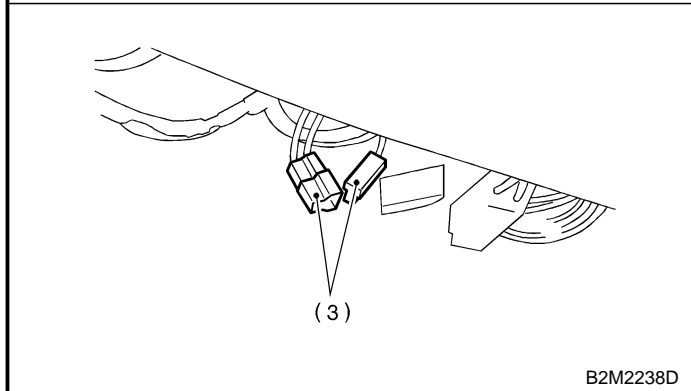
- (1) Engine control module (ECM)
- (2) Data link connector (for Subaru Select Monitor and OBD-II general scan tool)
- (3) Test mode connector
- (4) CHECK ENGINE malfunction indicator lamp (MIL)



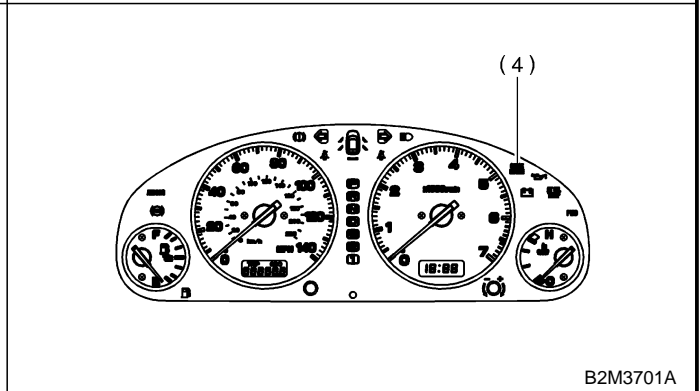
B3M1575A



B2M2960E



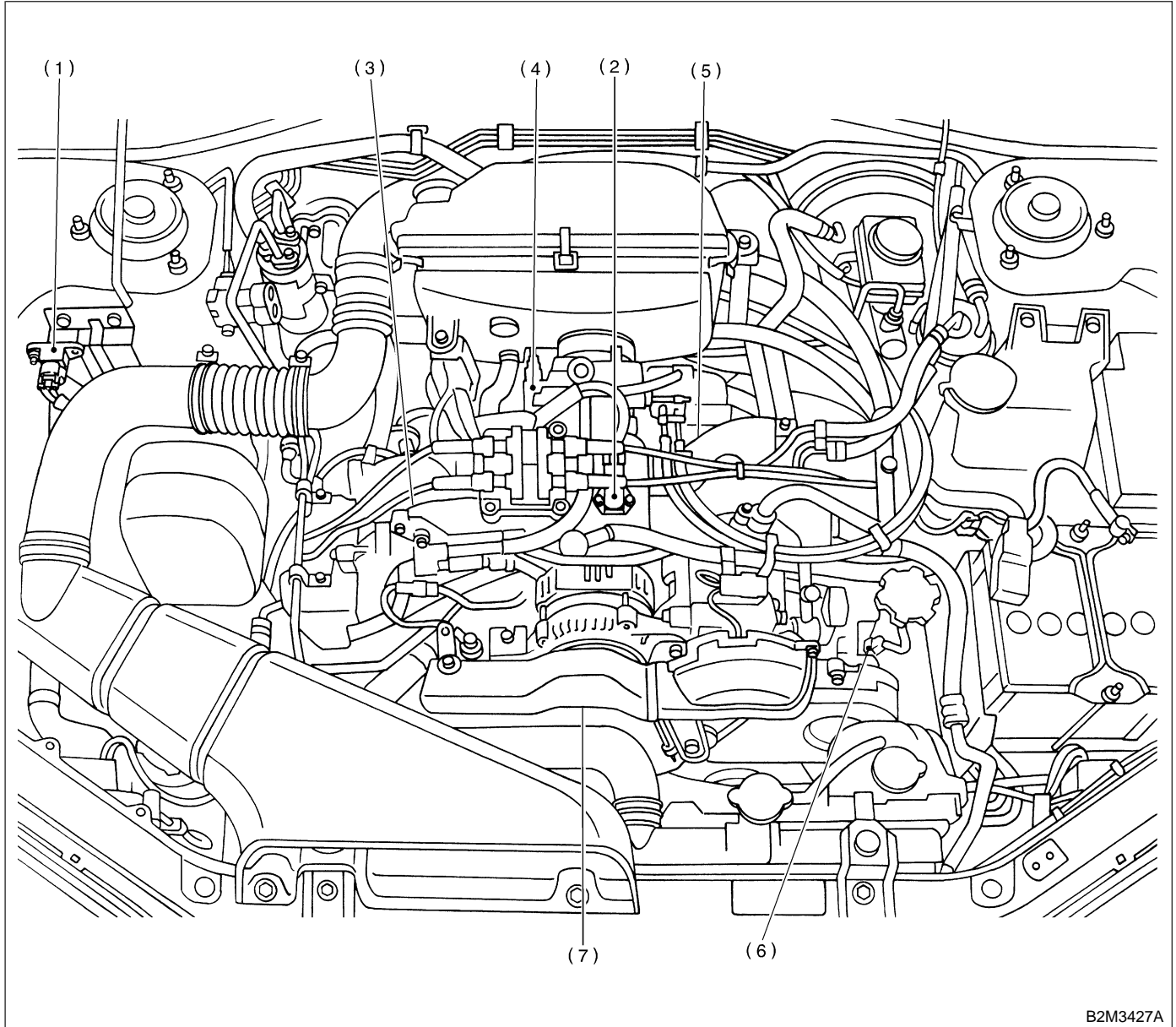
B2M2238D



B2M3701A

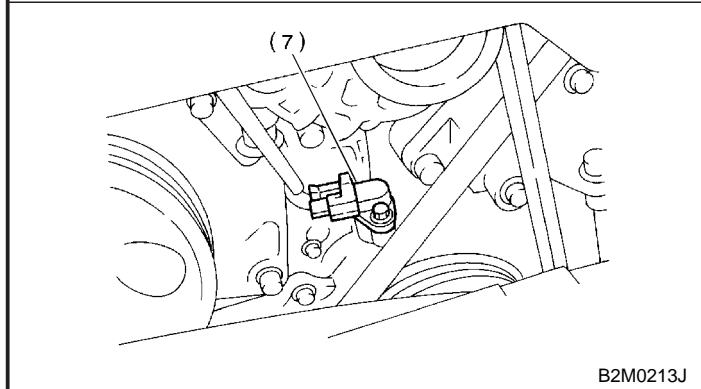
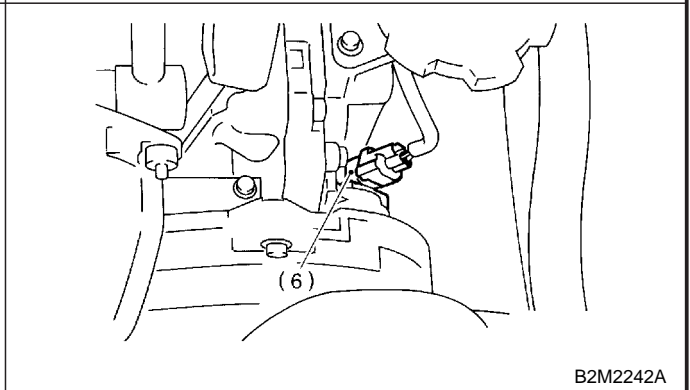
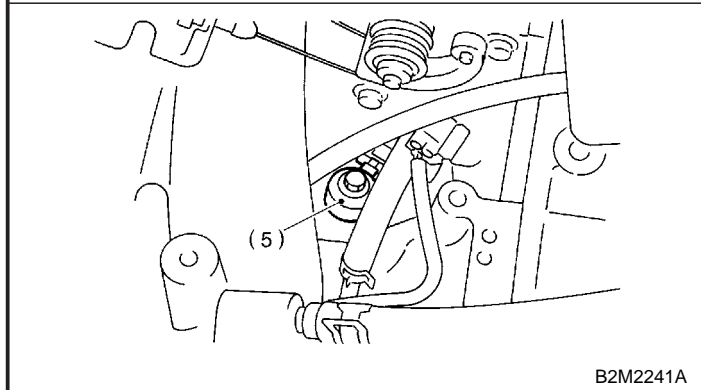
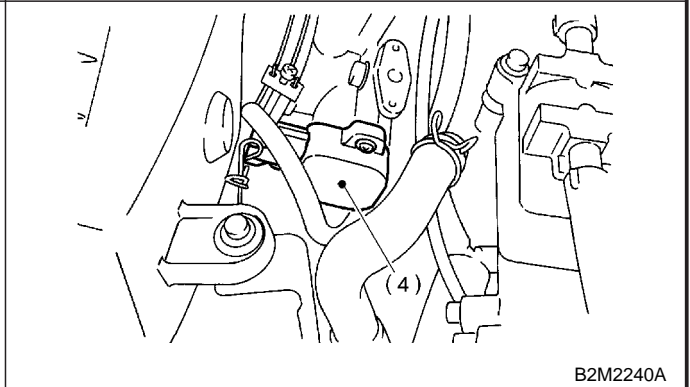
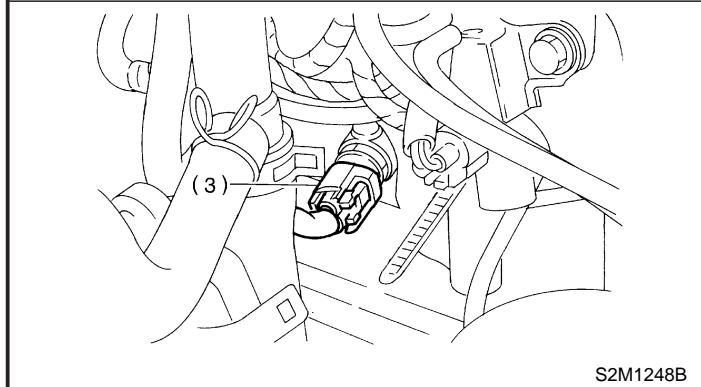
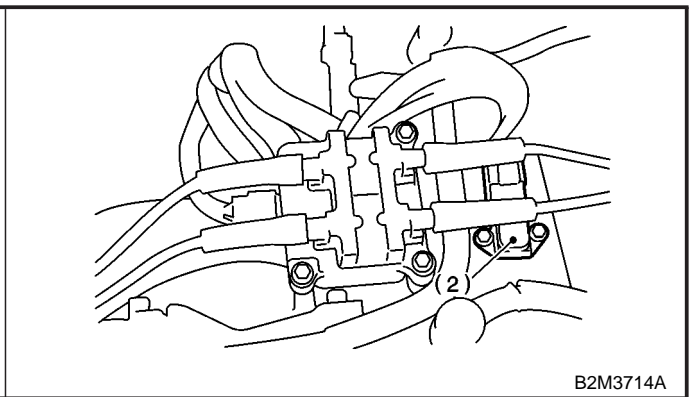
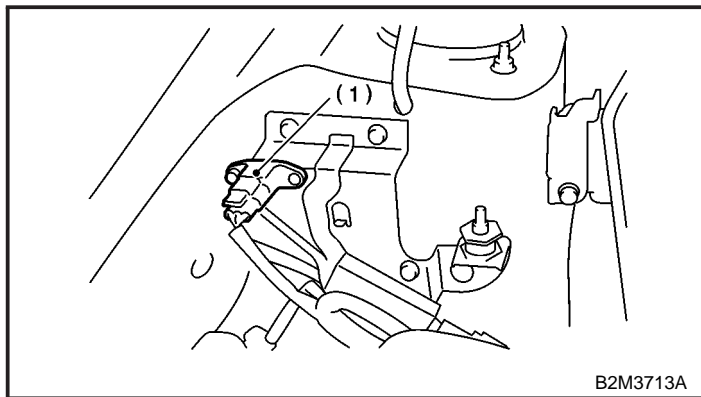
MEMO:

2. SENSOR



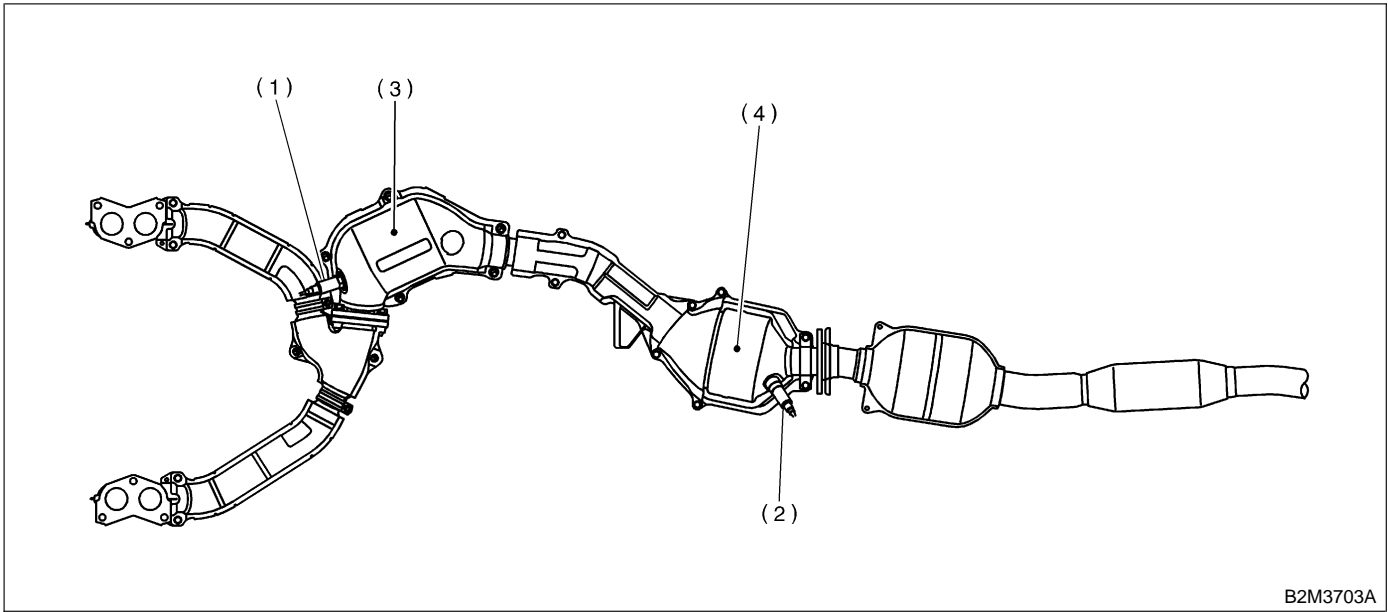
B2M3427A

- | | | |
|--|---------------------------------------|------------------------------|
| (1) Atmospheric pressure sensor | (3) Engine coolant temperature sensor | (5) Knock sensor |
| (2) Intake air temperature and pressure sensor | (4) Throttle position sensor | (6) Camshaft position sensor |
| | (7) Crankshaft position sensor | |

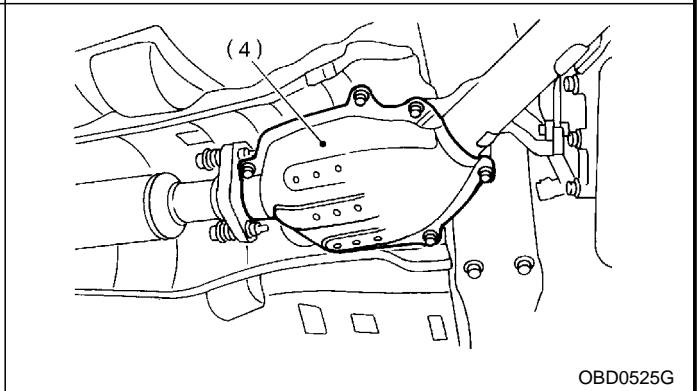
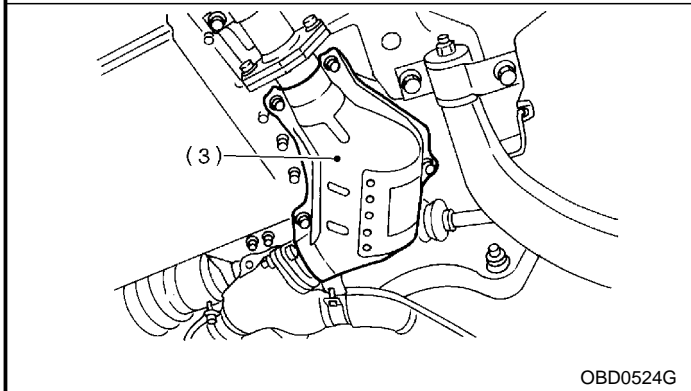
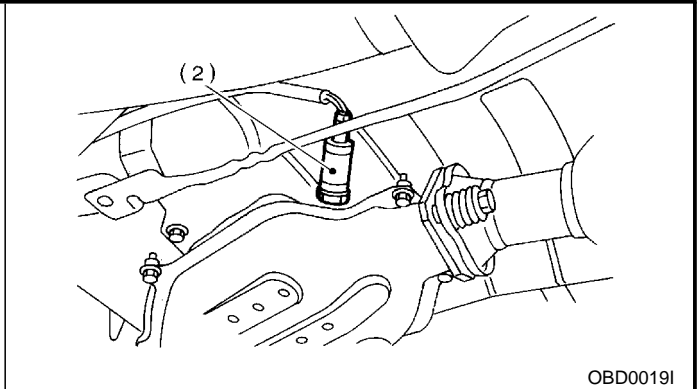
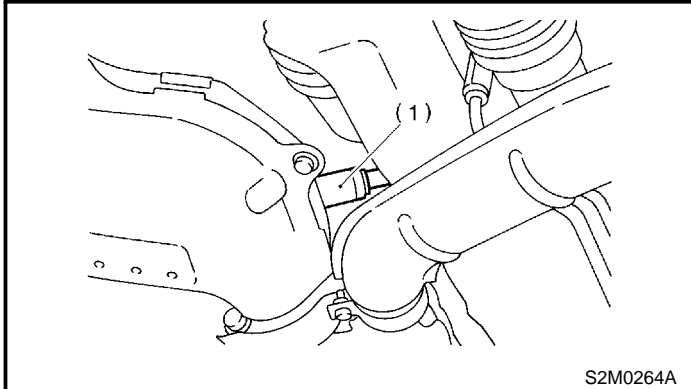


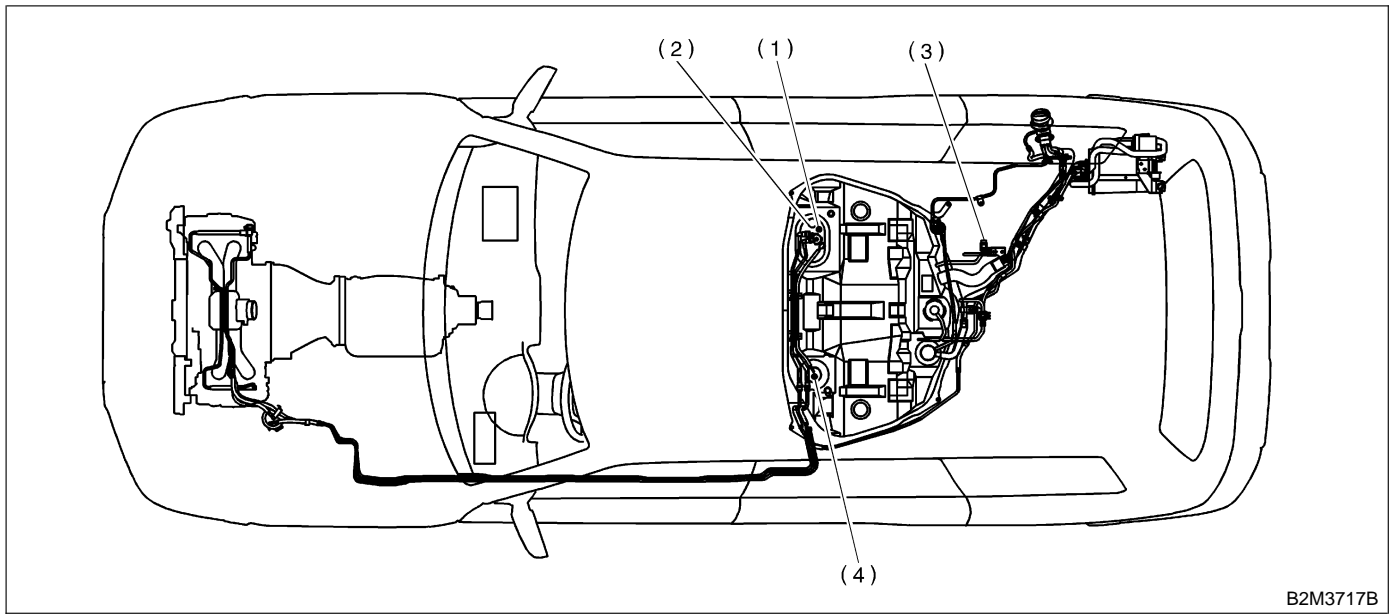
SUBARU.

2. Electrical Components Location

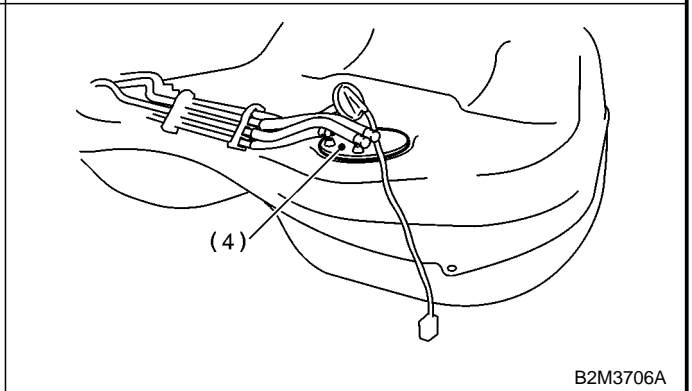
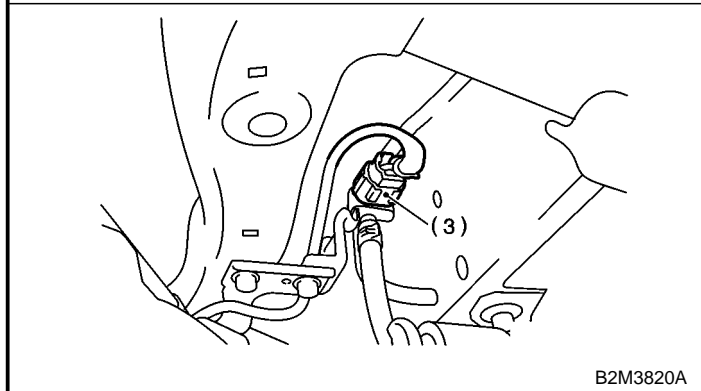
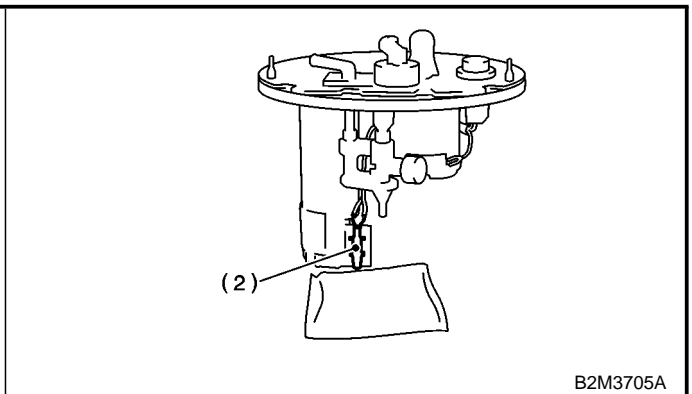
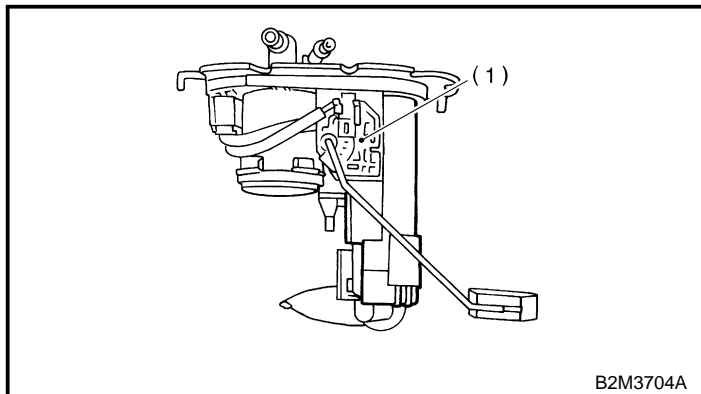


- (1) Front oxygen (A/F) sensor
- (2) Rear oxygen sensor
- (3) Front catalytic converter
- (4) Rear catalytic converter

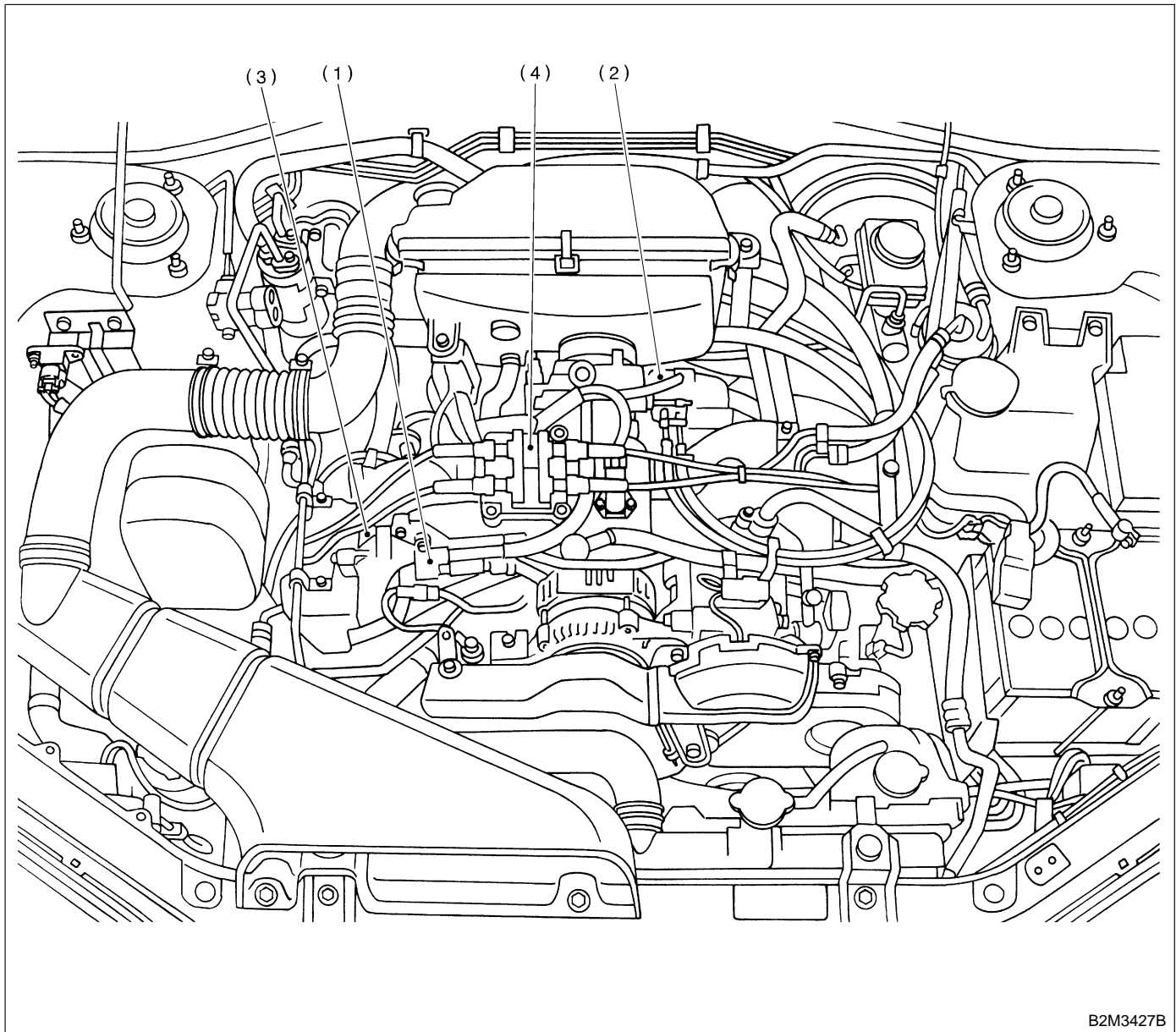




- (1) Fuel level sensor
- (2) Fuel temperature sensor
- (3) Fuel tank pressure sensor
- (4) Fuel sub level sensor

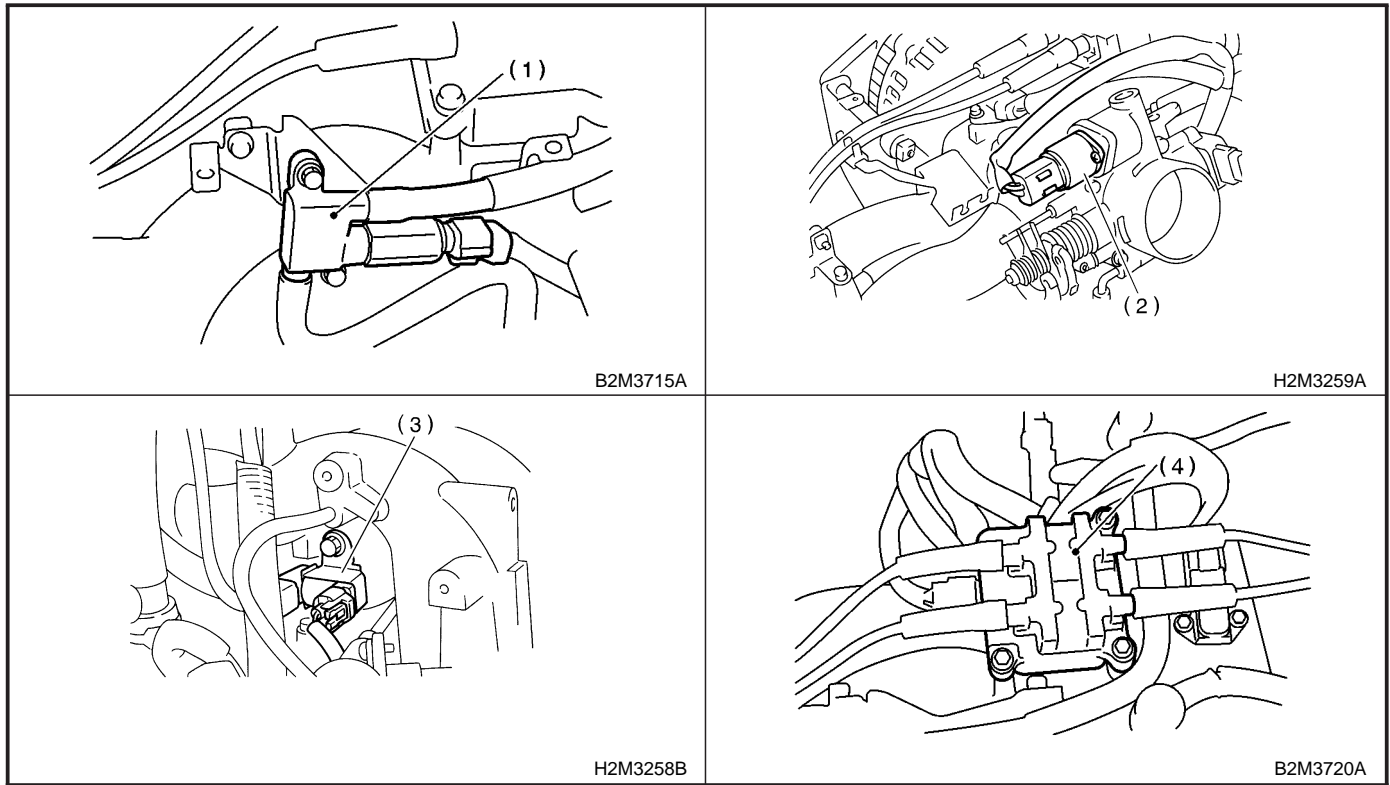


3. SOLENOID VALVE, EMISSION CONTROL SYSTEM PARTS AND IGNITION SYSTEM PARTS

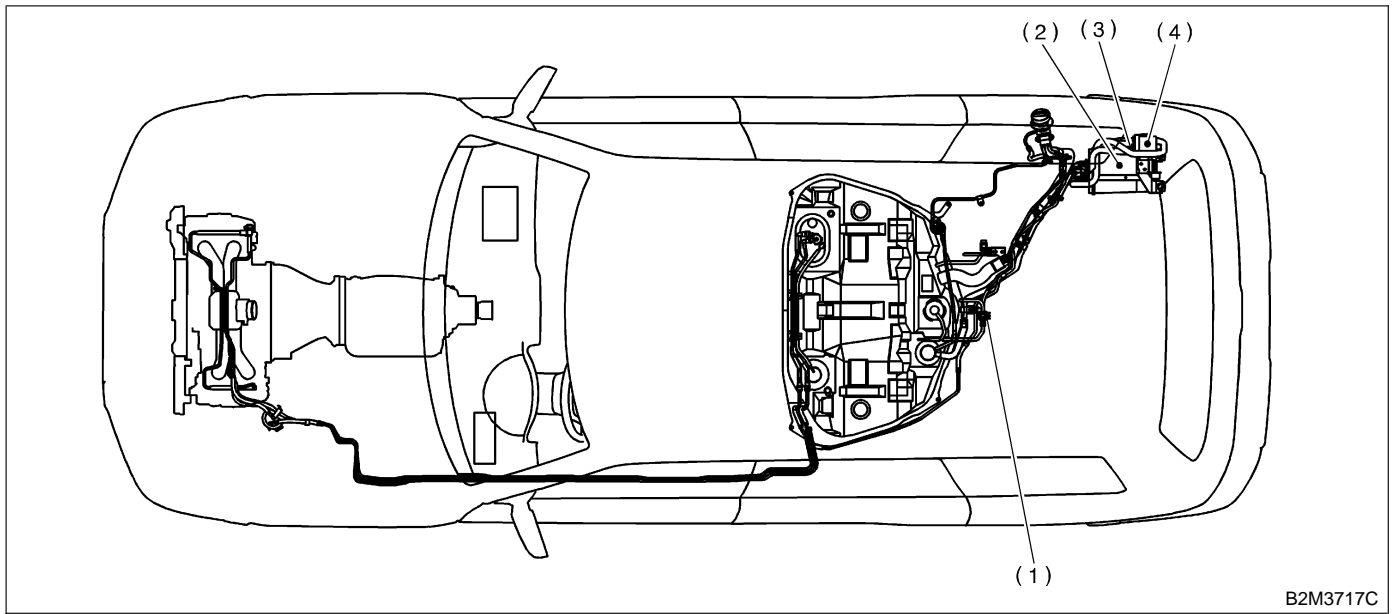


B2M3427B

- | | |
|--|----------------------------------|
| (1) Air assist injector solenoid valve | (3) Purge control solenoid valve |
| (2) Idle air control solenoid valve | (4) Ignition coil & ignitor ASSY |



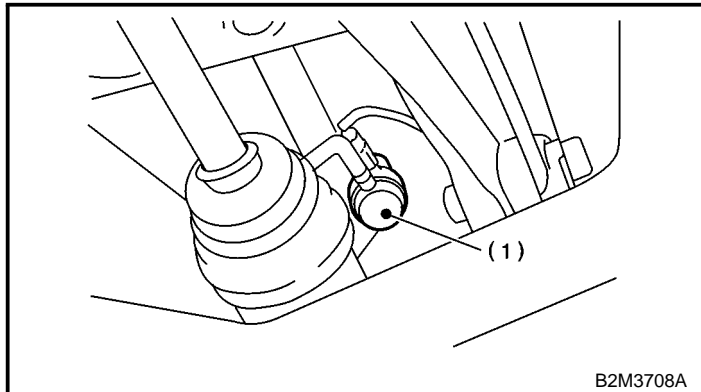
2. Electrical Components Location



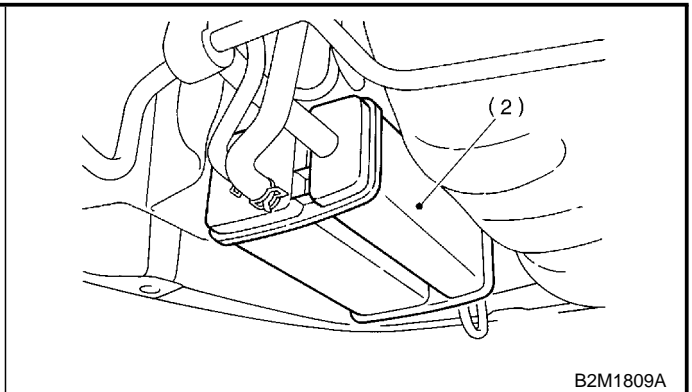
B2M3717C

- (1) Pressure control solenoid valve
- (2) Canister

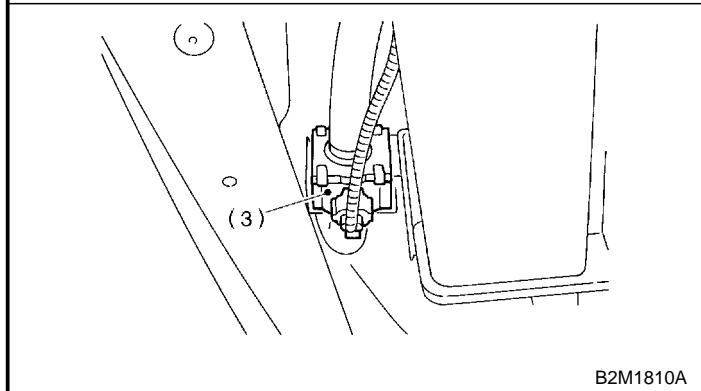
- (3) Drain valve
- (4) Air filter



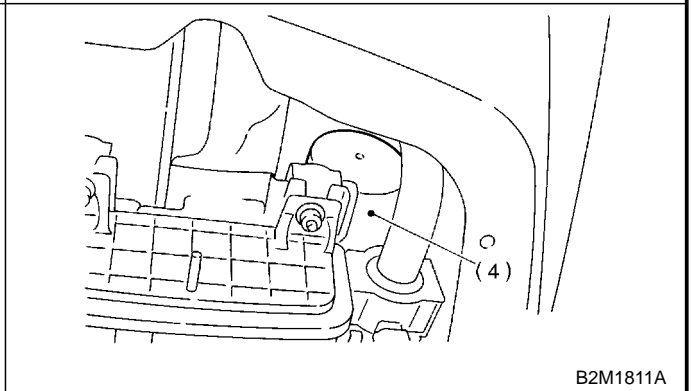
B2M3708A



B2M1809A



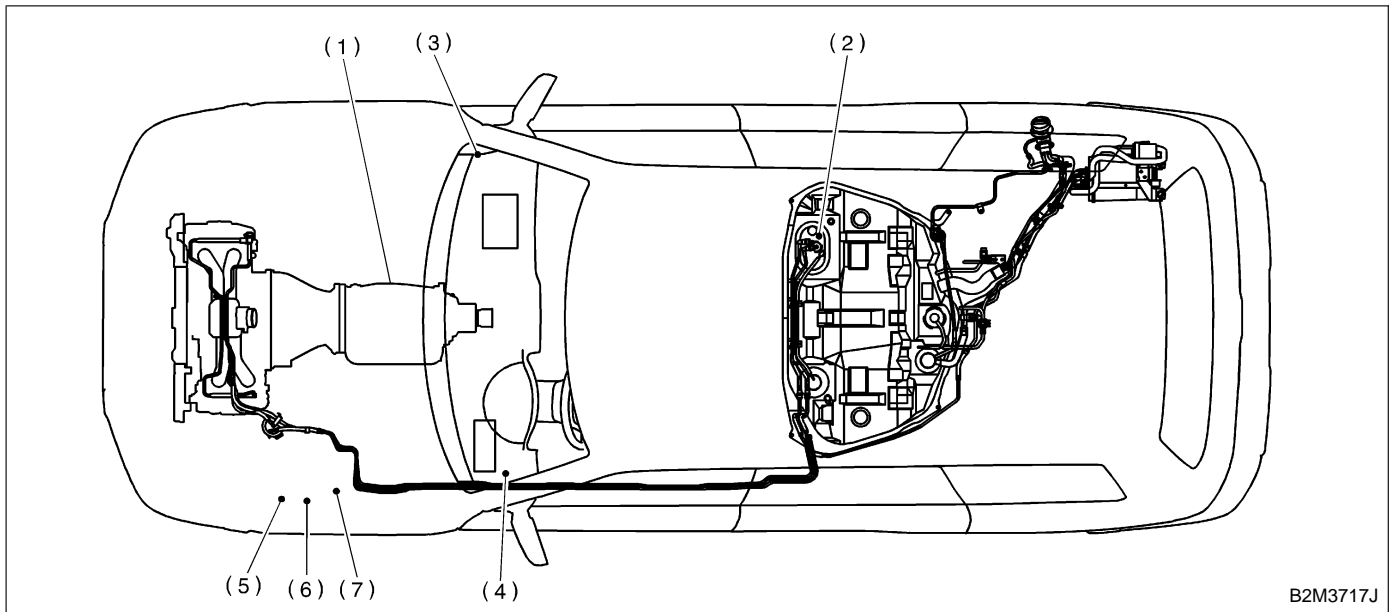
B2M1810A



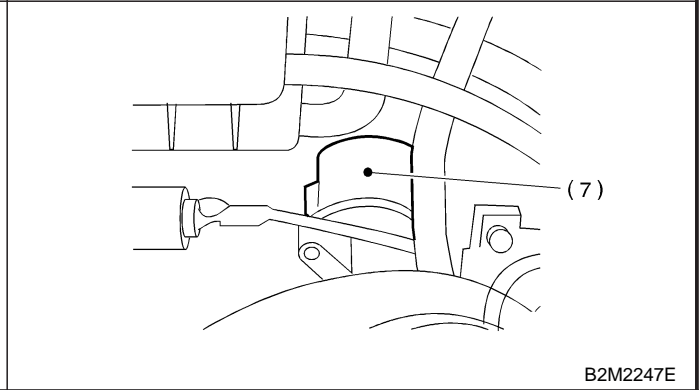
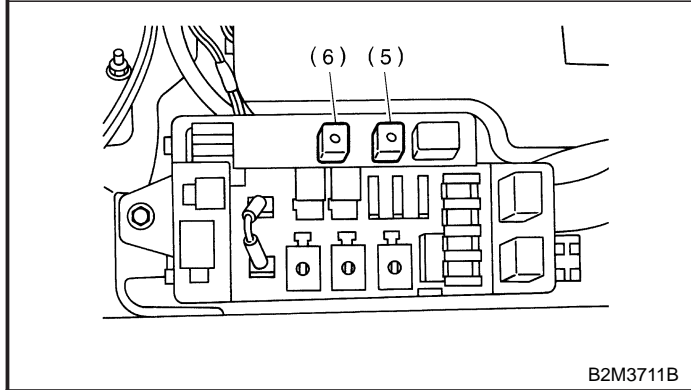
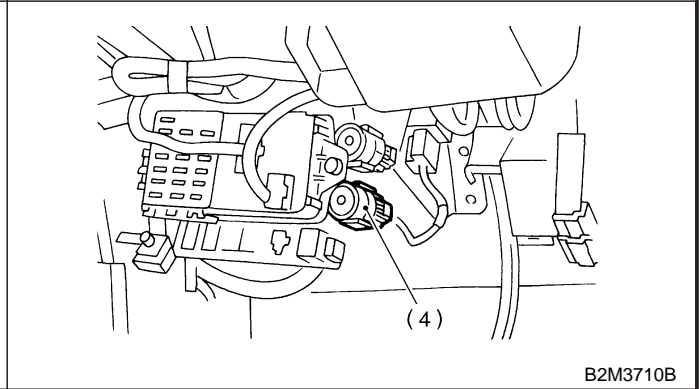
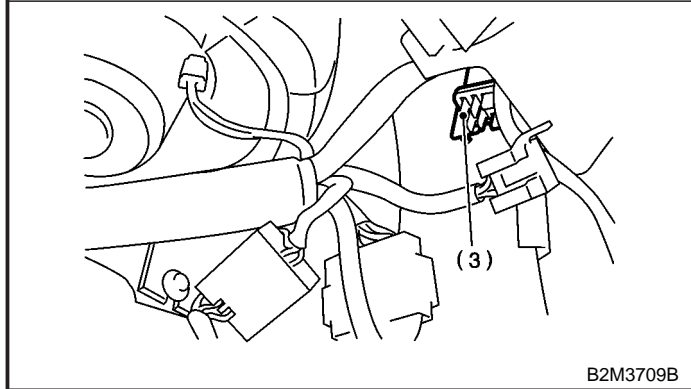
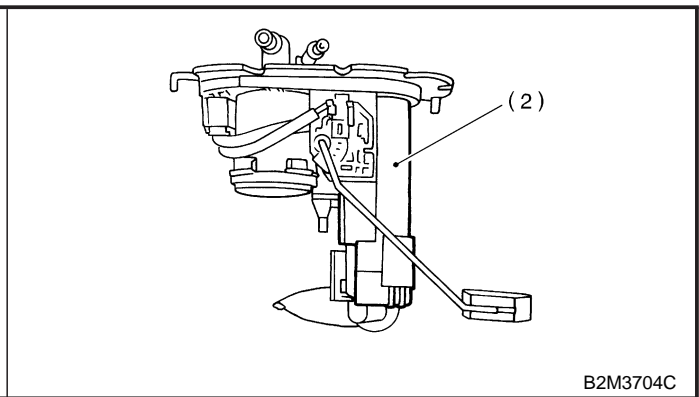
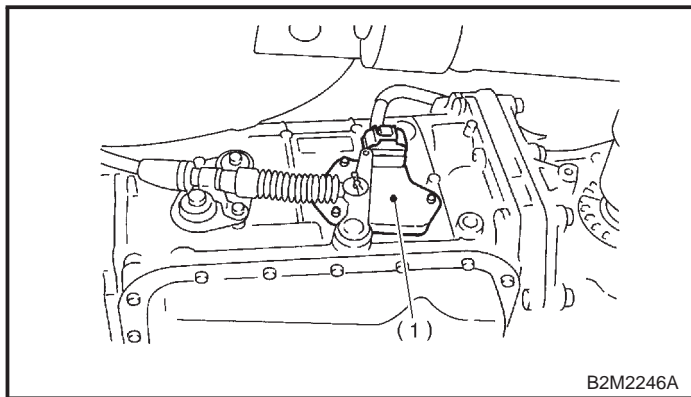
B2M1811A

MEMO:

2. Electrical Components Location

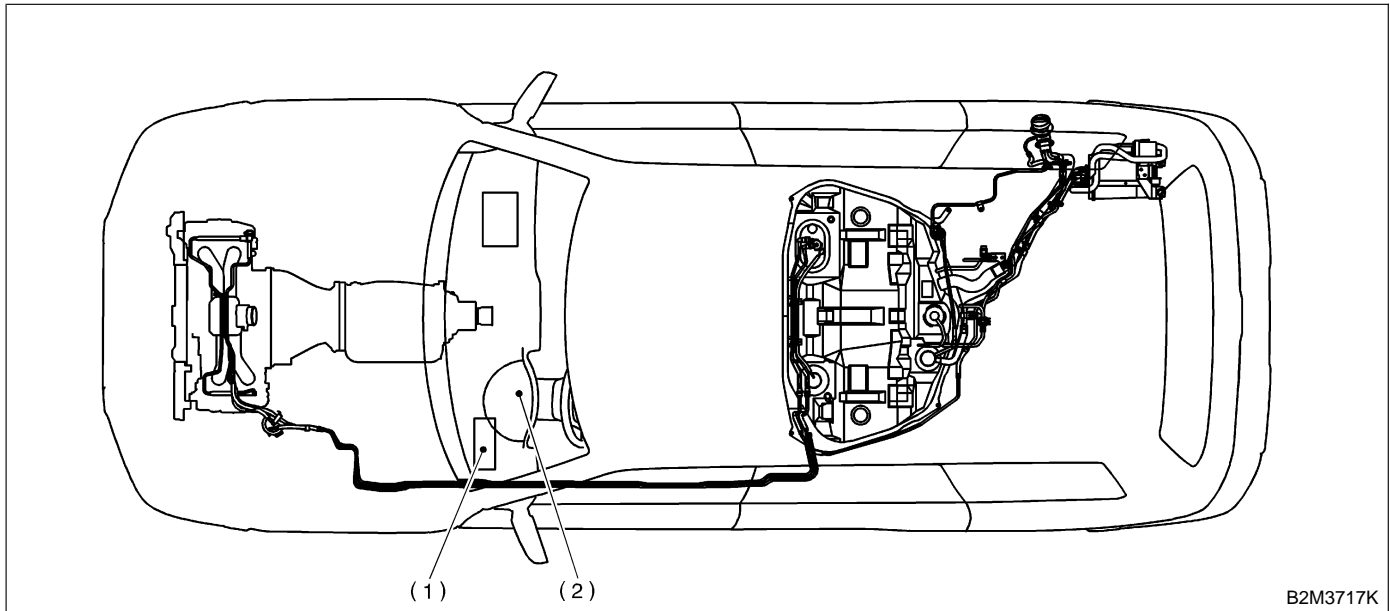


- (1) Inhibitor switch
- (2) Fuel pump
- (3) Main relay
- (4) Fuel pump relay
- (5) Radiator main fan relay
- (6) Radiator sub fan relay
- (7) Starter



C: TRANSMISSION

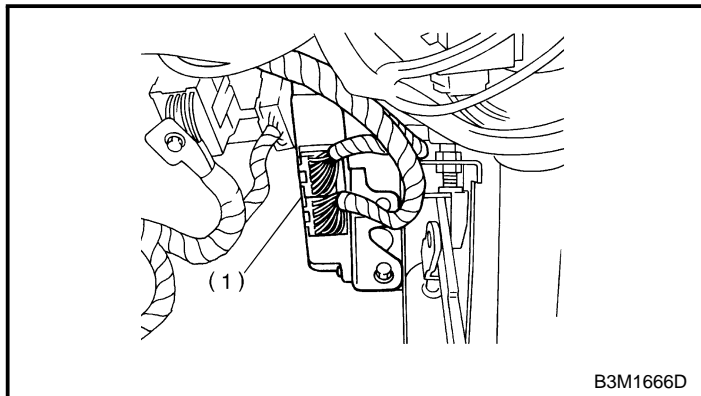
1. MODULE



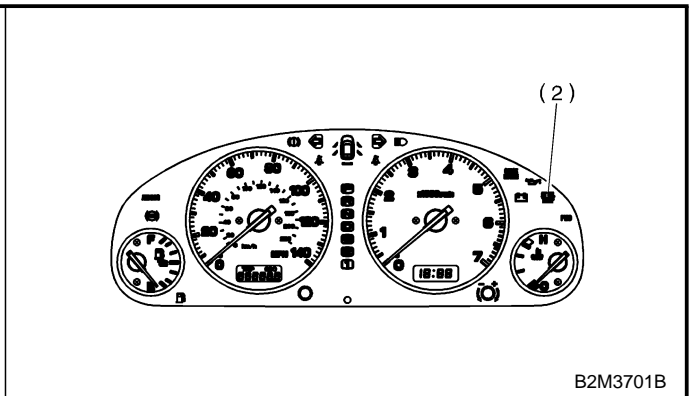
B2M3717K

(1) Transmission Control Module (TCM) (for AT vehicles)

(2) AT diagnostic indicator light (for AT vehicles)

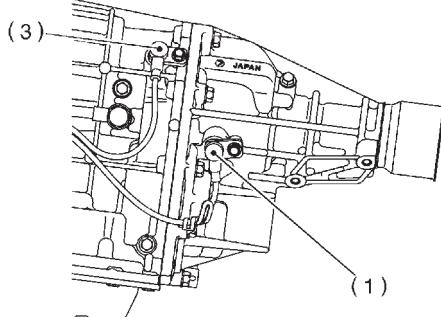
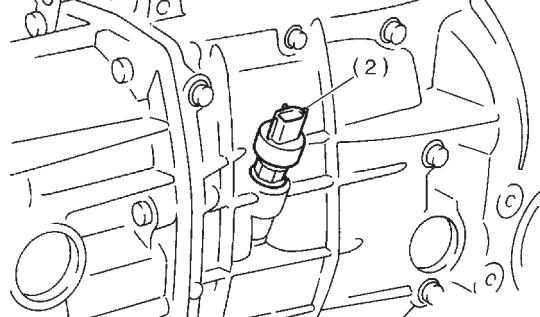
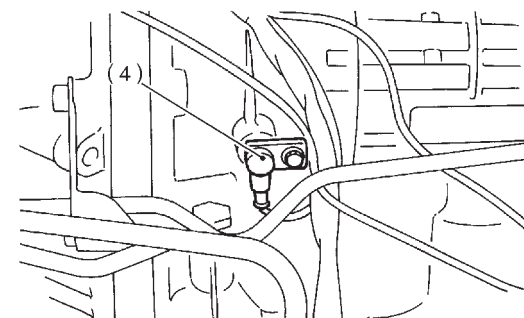
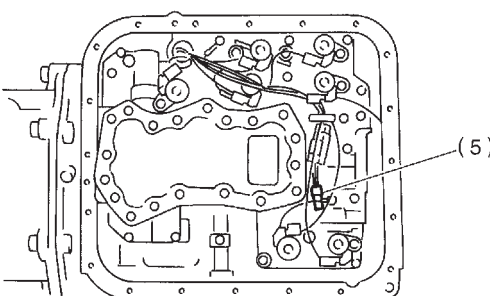
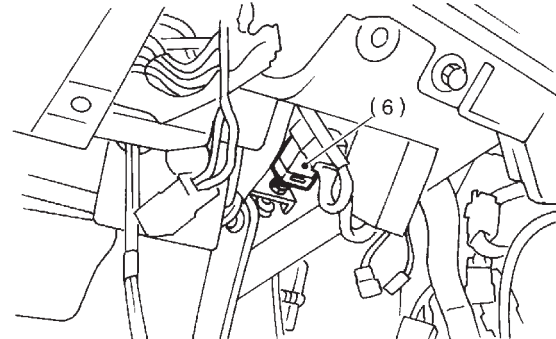


B3M1666D



B2M3701B

2. SENSOR

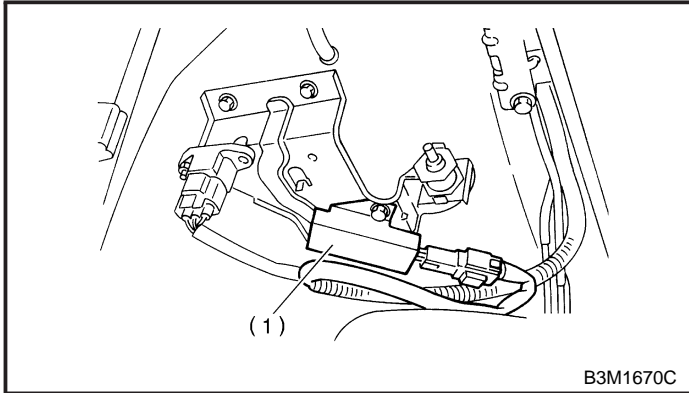
 <p>(3)</p> <p>(1)</p> <p>B2M2258A</p>	 <p>(2)</p> <p>B2M2259A</p>
 <p>(4)</p> <p>B2M2260A</p>	 <p>(5)</p> <p>B2M2261A</p>
 <p>(6)</p> <p>OBD0653B</p>	<p style="text-align: center;">SUBARU.</p>

- (1) Vehicle speed sensor 1 (for AT vehicles)
- (2) Vehicle speed sensor 2 (for MT vehicles)
- (3) Vehicle speed sensor 2 (for AT vehicles)
- (4) Torque converter turbine speed sensor
- (5) ATF temperature sensor (for AT vehicles)
- (6) Brake light switch

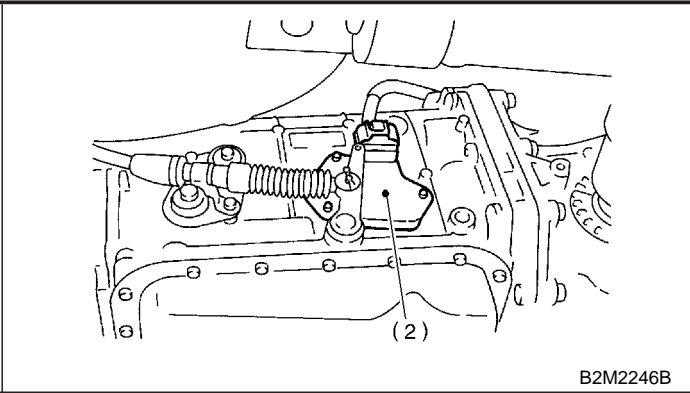
2. Electrical Components Location

3. SOLENOID VALVE AND RELAY

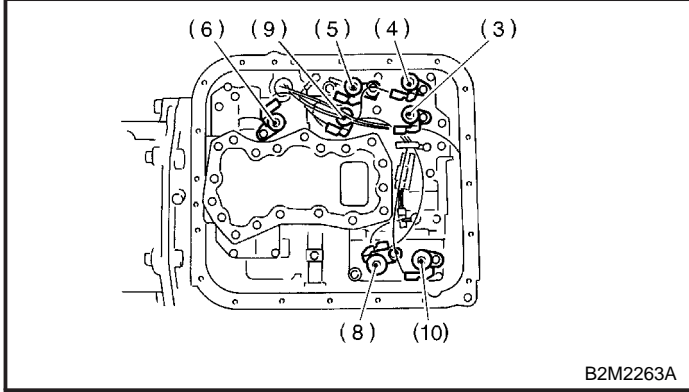
● For AT vehicles



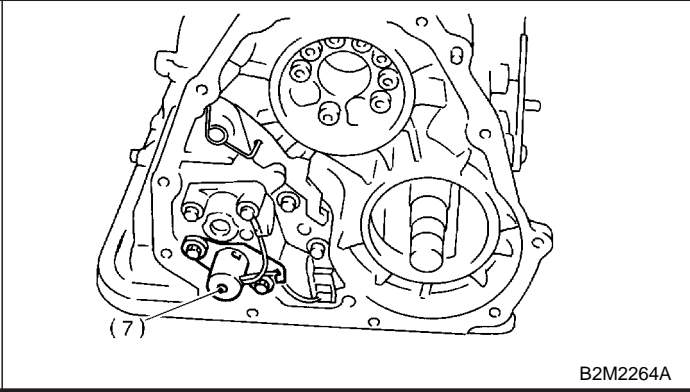
B3M1670C



B2M2246B



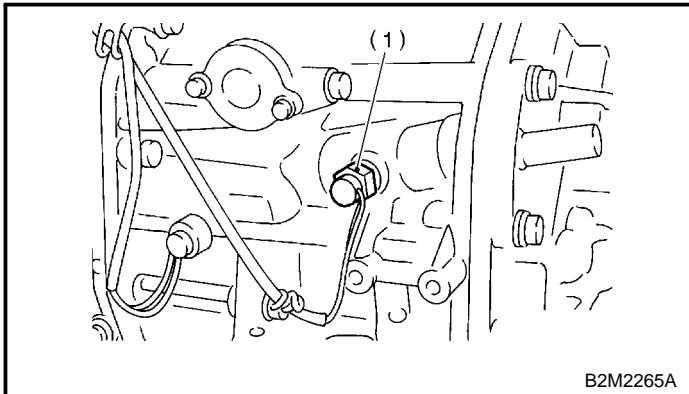
B2M2263A



B2M2264A

- (1) Dropping resistor
- (2) Inhibitor switch
- (3) Shift solenoid valve 1
- (4) Shift solenoid valve 2
- (5) Line pressure duty solenoid
- (6) Lock-up duty solenoid
- (7) Transfer duty solenoid
- (8) 2-4 brake duty solenoid
- (9) Low clutch timing solenoid valve
- (10) 2-4 brake timing solenoid valve

● For MT vehicles



B2M2265A



- (1) Neutral position switch