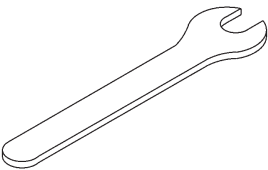
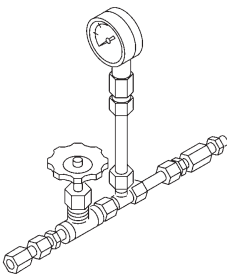
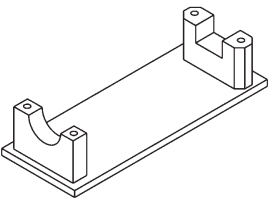
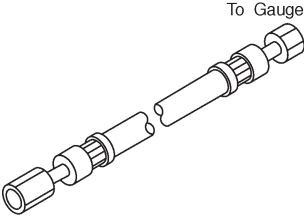
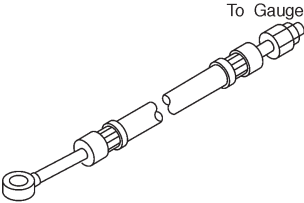


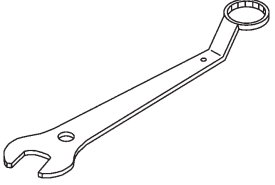
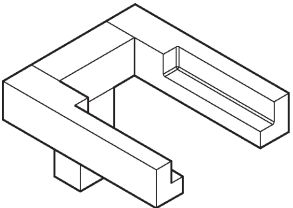
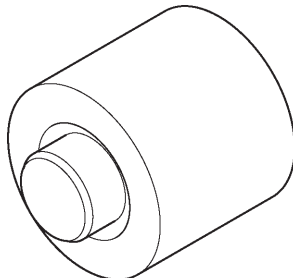
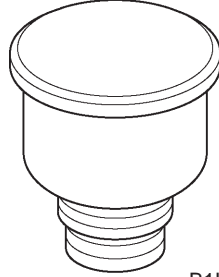
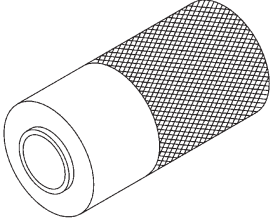
SPECIAL TOOLS

7. Steering System Tools

ILLUSTRATION	TOOL NUMBER	DESCRIPTION	REMARKS
 <p>B1H0258</p>	925700000	WRENCH	<ul style="list-style-type: none"> Used for removing and installing tie-rod. Apply this tool to rack.
 <p>B1H0147</p>	925711000	PRESSURE GAUGE	Used for measuring oil pump pressure.
 <p>G1H0263</p>	926200000	STAND	Used when inspecting characteristic of gearbox assembly and disassembling it.
 <p>B1H0172A</p>	34099AC010	ADAPTER HOSE A	Used with PRESSURE GAUGE (925711000).
 <p>B1H0185A</p>	34099AC020	ADAPTER HOSE B	Used with PRESSURE GAUGE (925711000).

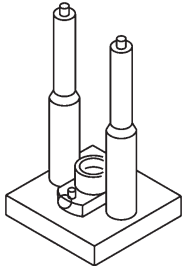
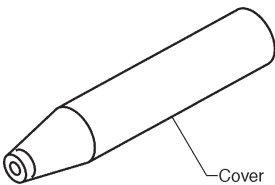
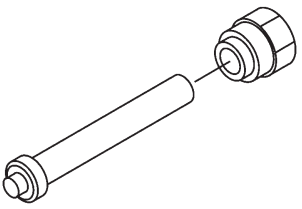
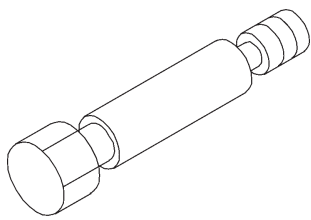
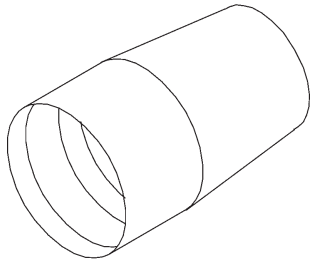
1-6 [G700]
7. Steering System Tools

SPECIAL TOOLS

ILLUSTRATION	TOOL NUMBER	DESCRIPTION	REMARKS
 <p>G1H0265</p>	926230000	SPANNER	<ul style="list-style-type: none"> • For the lock nut when adjusting backlash of gearbox. • Measurement of rotating resistance of gearbox assembly.
 <p>B1H0430</p>	34199AE020	MOUNT	Used for disassembling oil pump.
 <p>B1H0431</p>	34199AE030	INSTALLER	Used for installing oil seal into oil pump.
 <p>B1H0432</p>	34199AE040	OIL CHARGE GUIDE	Used for charging power steering oil.
 <p>B1H0261</p>	927640000	INSTALLER B	Used for installing ball bearing into housing.

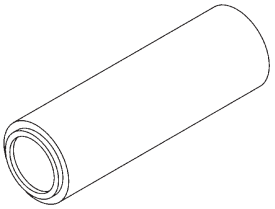
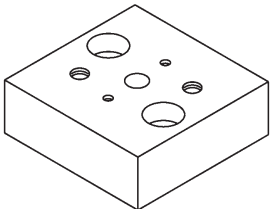
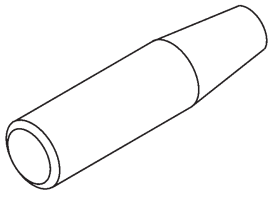
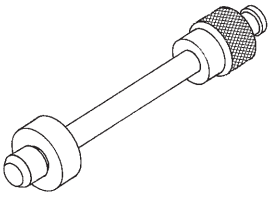
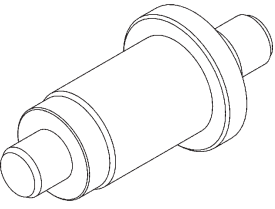
SPECIAL TOOLS

[G700] 1-6
7. Steering System Tools

ILLUSTRATION	TOOL NUMBER	DESCRIPTION	REMARKS
 <p>G1H0267</p>	926370000	INSTALLER A	<ul style="list-style-type: none"> Used for installing valve assembly into valve housing assembly. Used with STAND BASE (927630000).
 <p>H1H0476A</p>	926390001	COVER & REMOVER ASSY	Used for assembling rack assembly.
 <p>G1H0269</p>	926420000	PLUG	When oil leaks from pinion side of gearbox assembly, remove pipe B from valve housing, attach this tool and check oil leaking points.
 <p>B1H0069</p>	926400000	GUIDE	<ul style="list-style-type: none"> Right side of rack when installing rack bush. Used with GUIDE (927660000).
 <p>B1H0070</p>	927660000	GUIDE	<ul style="list-style-type: none"> Right side of rack when installing rack bush. Used with GUIDE (926400000).

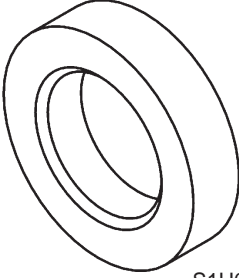
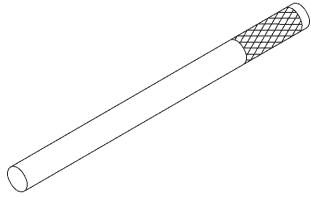
1-6 [G700]
7. Steering System Tools

SPECIAL TOOLS

ILLUSTRATION	TOOL NUMBER	DESCRIPTION	REMARKS
 <p>B1H0262</p>	927620000	INSTALLER B	<ul style="list-style-type: none"> Used for installing oil seal of valve housing. Used with INSTALLER A (926360000).
 <p>G1H0273</p>	927630000	STAND BASE	Used for assembling power steering gearbox.
 <p>B1H0263</p>	926360000	INSTALLER A	<ul style="list-style-type: none"> Used as a guide to install oil seal. Used with INSTALLER B (927620000).
 <p>G1H0275</p>	34199AE060	INSTALLER	Used for installing oil seal.
 <p>S1H0030</p>	927610000	INSTALLER	Used for installing valve housing oil seal.

SPECIAL TOOLS

[G700] **1-6**
7. Steering System Tools

ILLUSTRATION	TOOL NUMBER	DESCRIPTION	REMARKS
 <p>S1H0031</p>	34099FA130	INSTALLER SEAL	<ul style="list-style-type: none"> • Used for installing valve housing oil seal. • Used with INSTALLER AND REMOVER SEAL (34099FA120).
 <p>S1H0054</p>	34199AE050	REMOVER OIL SEAL	Used for removing back-up ring and oil seal.