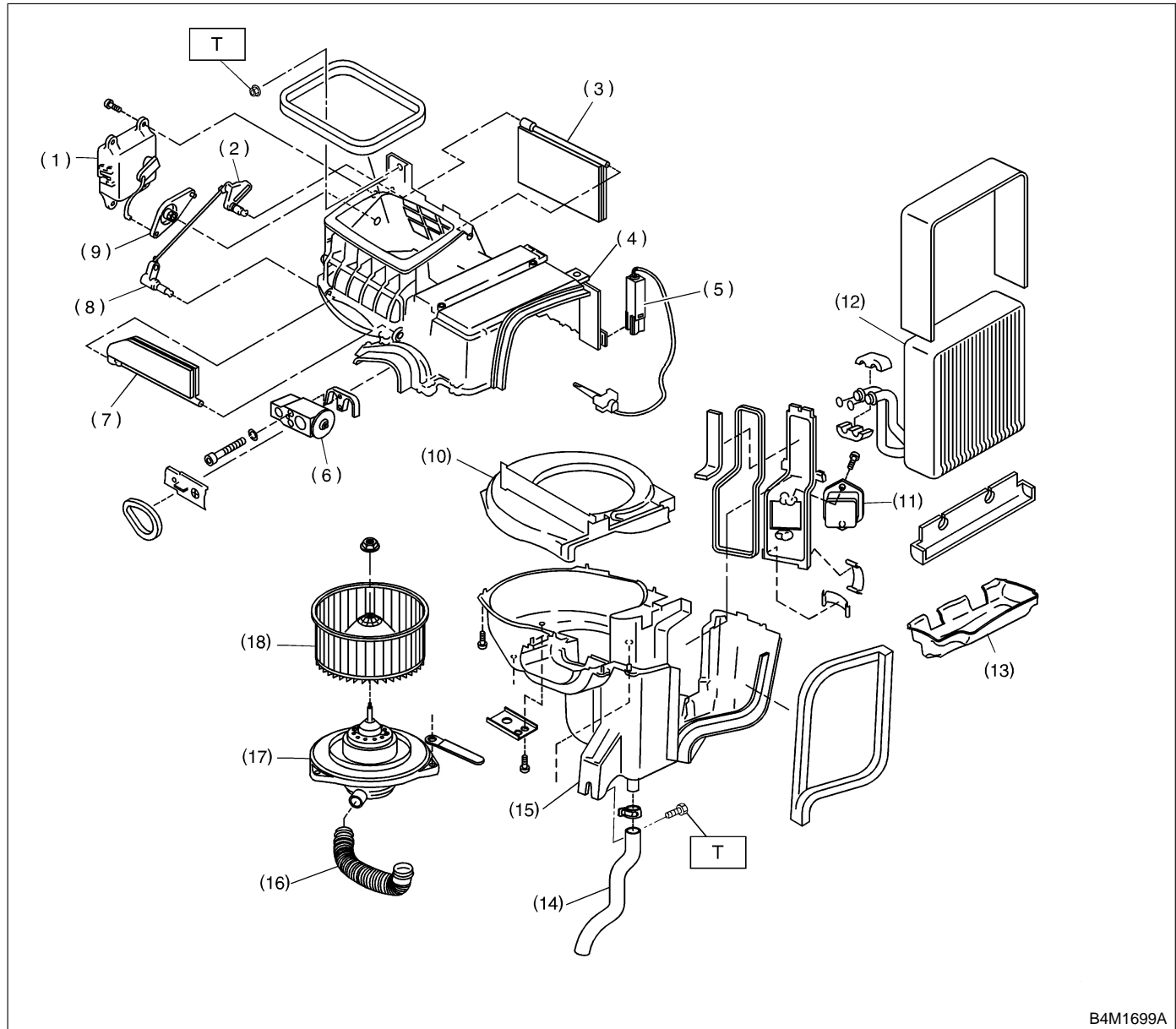


## 2. Intake Unit with Evaporator



- |  |                                       |                             |
|--|---------------------------------------|-----------------------------|
| (1) Intake door actuator                   | (8) Lever (B)                         | (15) Intake unit case lower |
| (2) Lever (A)                              | (9) Lever (C)                         | (16) Aspirator pipe         |
| (3) Door (A)                               | (10) Blower plate                     | (17) Blower motor           |
| (4) Intake unit case upper                 | (11) Resistor                         | (18) Fan                    |
| (5) Thermistor (With A/C model)            | (12) Evaporator (With A/C model)      |                             |
| (6) Block expansion valve (With A/C model) | (13) Evaporator case (With A/C model) |                             |
| (7) Door (B)                               | (14) Drain hose                       |                             |

**Tightening torque: N·m (kg·m, ft·lb)**  
**T: 7.4±2.0 (0.75±0.2, 5.4±1.4)**