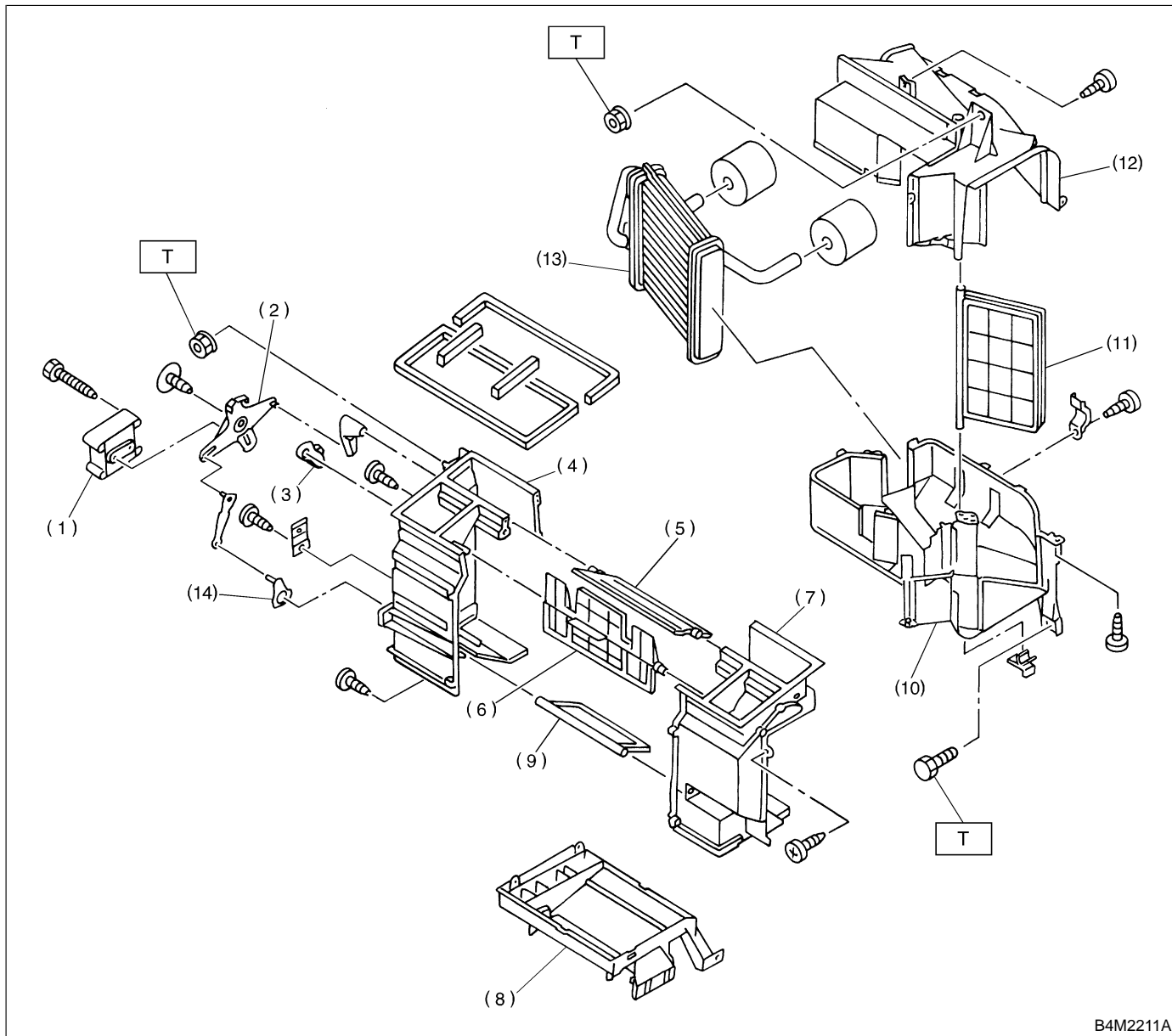


1. Heater Unit



B4M2211A

- (1) Vent door actuator
- (2) Side link
- (3) Vent door lever
- (4) Case A
- (5) DEF door
- (6) Vent door

- (7) Case B
- (8) Foot duct
- (9) Foot door
- (10) Case D
- (11) Mix door
- (12) Case C

- (13) Heater core
- (14) Foot door lever

Tightening torque: N·m (kg·m, ft·lb)
T: 7.35±1.96
(0.750±0.200, 5.421±1.446)