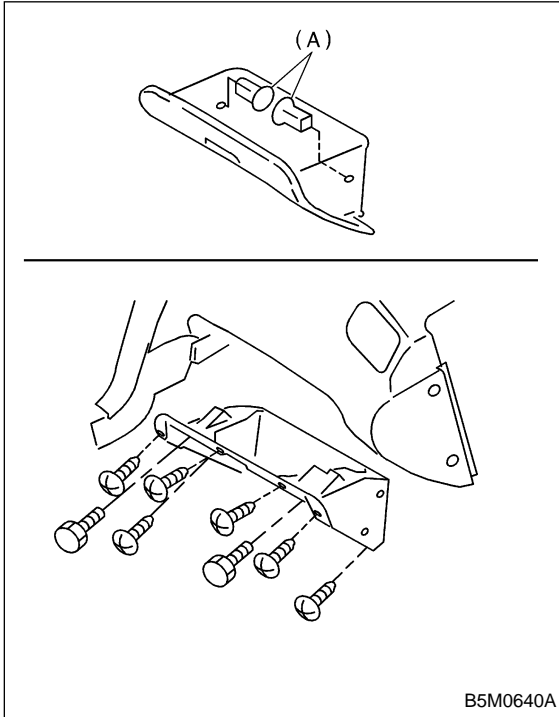


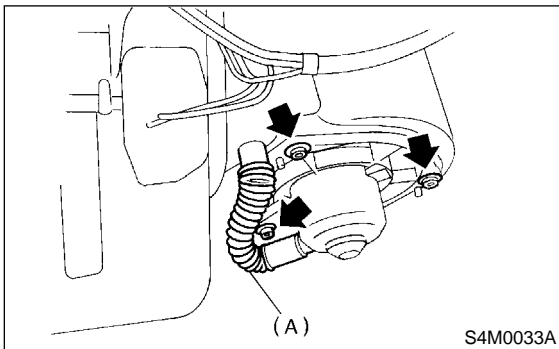
3. Blower Motor Assembly

A: REMOVAL AND INSTALLATION

- 1) Disconnect GND cable from battery.
- 2) Remove stopper (A) and then remove glove box.



- 3) Disconnect blower motor harness connector.
- 4) Disconnect aspirator pipe (A).
- 5) Remove blower motor mounting screw.



- 6) Remove blower motor assembly.
- 7) Installation is in the reverse order of removal.

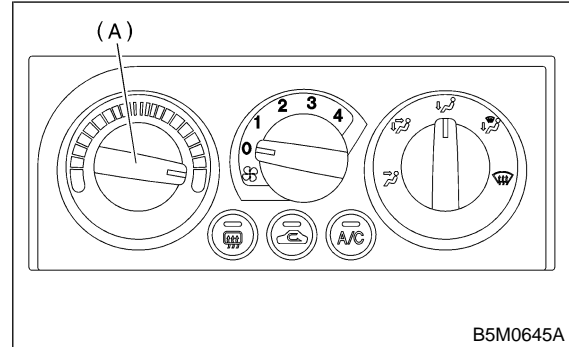
4. Control Unit

A: REMOVAL AND INSTALLATION

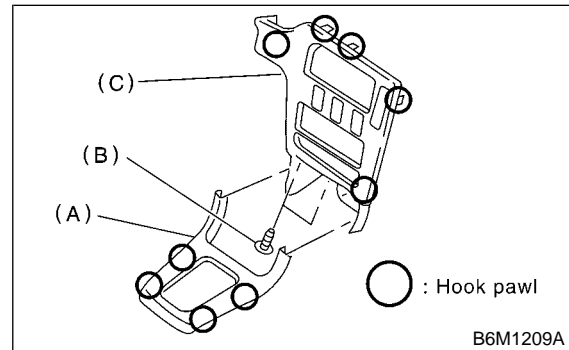
- 1) Disconnect GND cable from battery.
- 2) Remove console box. <Ref. to 5-4 [W1A0].>
- 3) Set temperature control switch (A) to "FULL HOT" and then disconnect temperature control cable from bottom of heater unit.

NOTE:

Do not attempt to move switch and link during installation.



- 4) Remove front cover (A) while disconnecting connector.
- 5) Remove two screws (B) and then remove center panel (C) while disconnecting connector.



- 6) Remove fitting screws, and slightly pull radio bracket out from center console while disconnecting connector.

