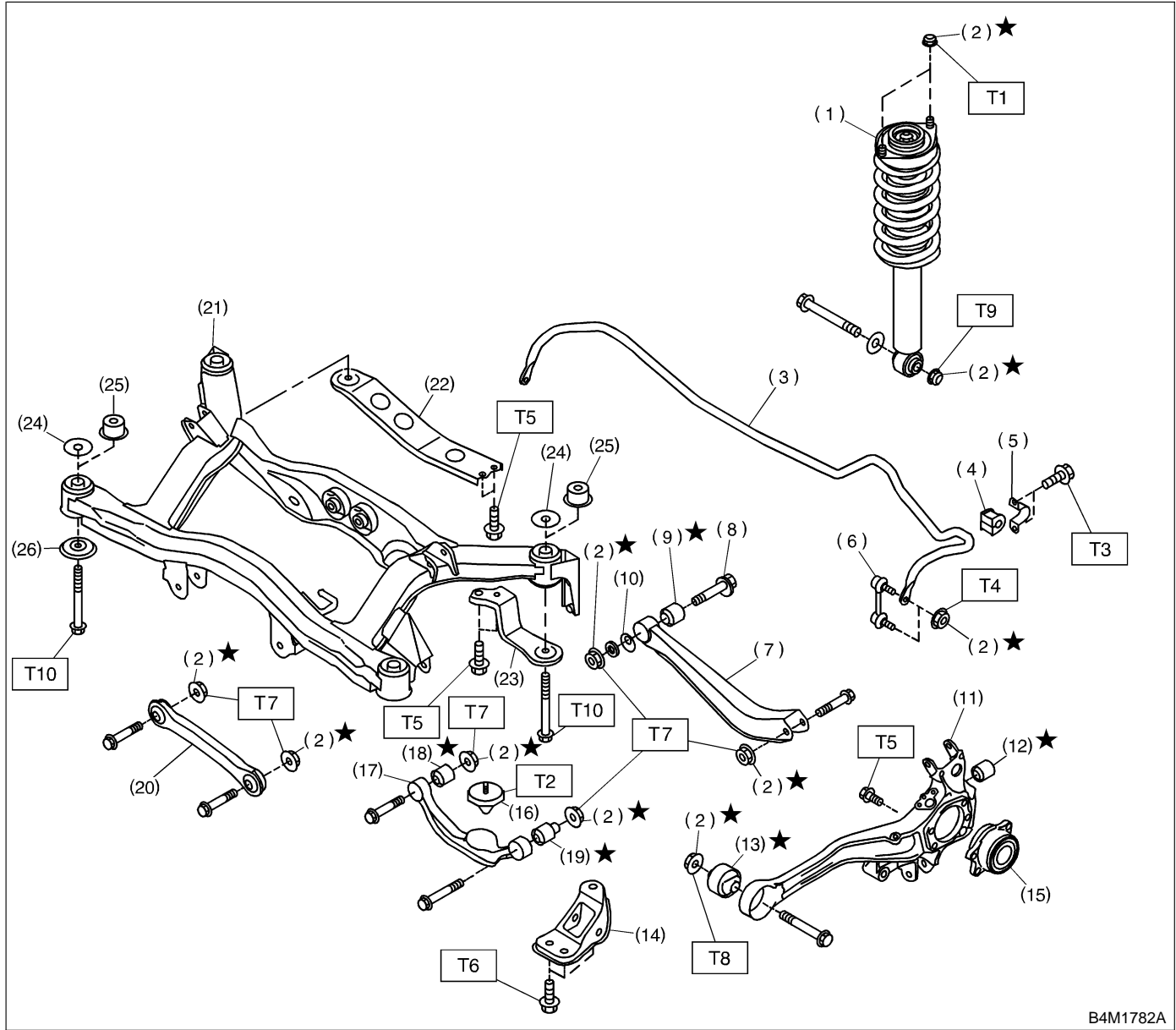


2. Rear Suspension



B4M1782A

- | | |
|-----------------------------|---|
| (1) Shock absorber | (15) Hub bearing unit |
| (2) Self-locking nut | (16) Helper |
| (3) Stabilizer | (17) Link upper |
| (4) Stabilizer bushing | (18) Link upper bushing (Inside) |
| (5) Clamp | (19) Link upper bushing (Outside) |
| (6) Stabilizer link | (20) Link front |
| (7) Link rear | (21) Rear sub frame |
| (8) Adjusting bolt | (22) Support sub frame (RH) |
| (9) Link rear bushing | (23) Support sub frame (LH) |
| (10) Adjusting washer | (24) Stopper upper (Except OUTBACK model) |
| (11) Rear arm | (25) Stopper upper (OUTBACK MODEL) |
| (12) Rear arm rear bushing | (26) Stopper lower |
| (13) Rear arm front bushing | |
| (14) Rear arm bracket | |

Tightening torque: N-m (kg-m, ft-lb)

- T1: 30±7 (3.1±0.7, 22.4±5.1)**
T2: 32±10 (3.3±1.0, 23.9±7.2)
T3: 39±7 (4.0±0.7, 28.9±5.1)
T4: 44±6 (4.5±0.6, 32.5±4.3)
T5: 66±10 (6.7±1.0, 48.5±7.2)
T6: 108±15 (11±1.5, 80±11)
T7: 123±15 (12.5±1.5, 90±11)
T8: 147±20 (15±2, 108±14)
T9: 157±20 (16±2, 116±14)
T10: 179±20 (17.5±2, 127±14)