

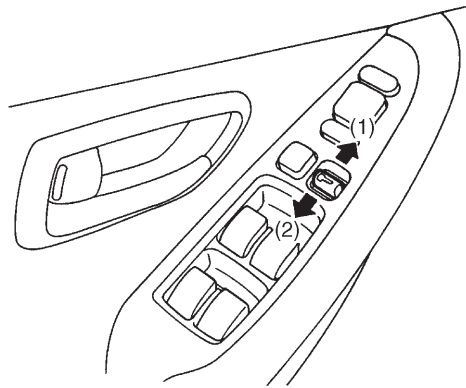
**6-2 [M7A0]**  
7. Power Door Lock

**MECHANISM AND FUNCTION**

**7. Power Door Lock**

**A: CONSTRUCTION**

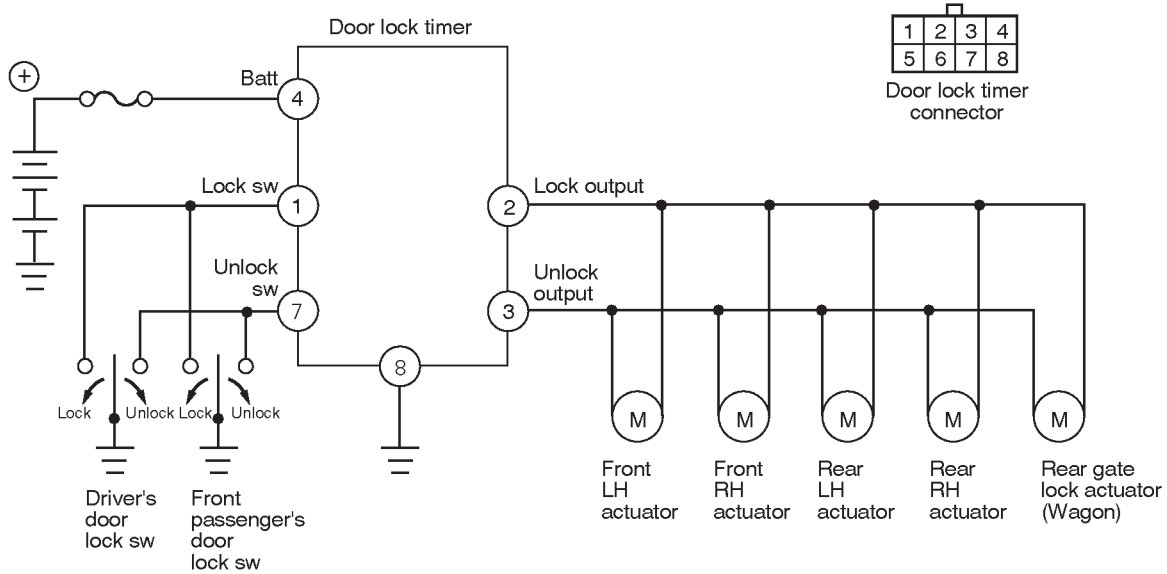
The power door lock system consists of driver's and front passenger's door lock switches, front door lock actuators, rear door lock actuators, and rear gate lock actuator (WAGON).



B6H1298A

- (1) Unlock
- (2) Lock

**B: CIRCUIT DIAGRAM**



B6H0759B